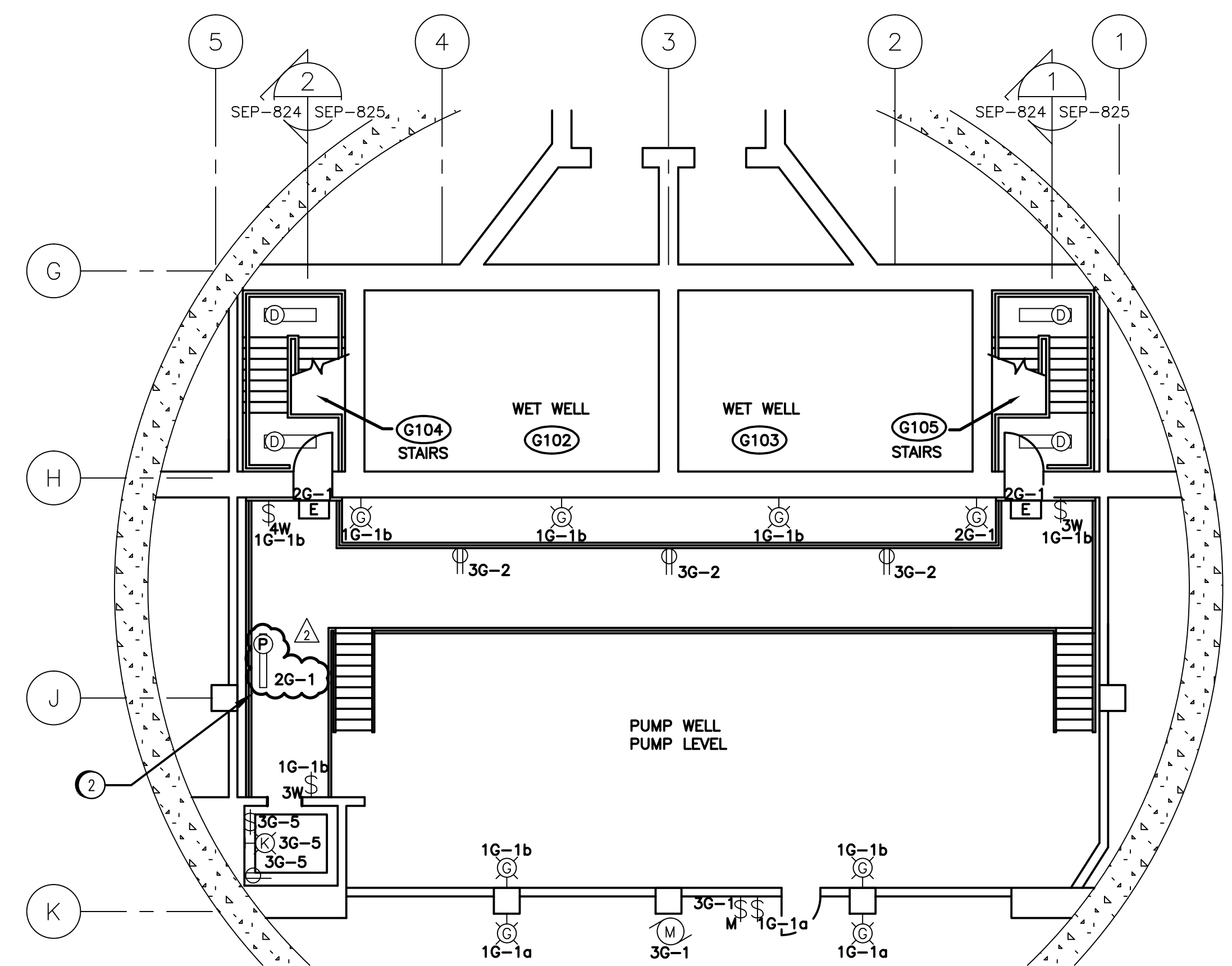
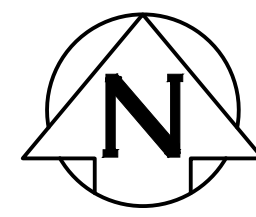
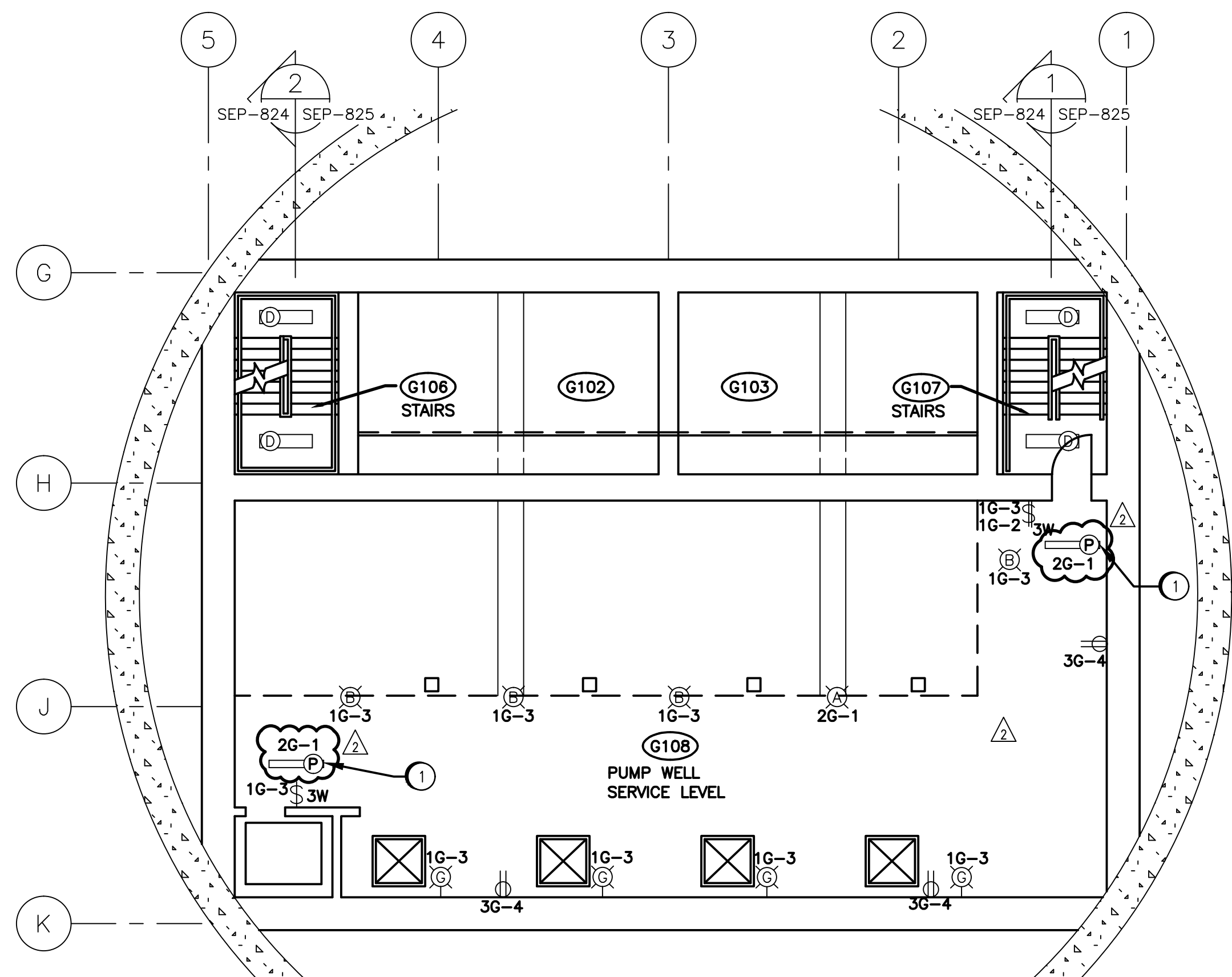


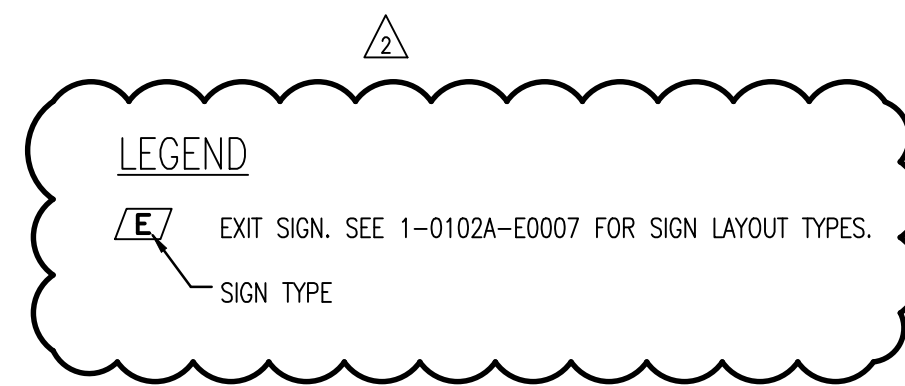
PLAN AT ELEVATION 223.7



PLAN AT ELEVATION 217.9



PLAN AT ELEVATION 228.9

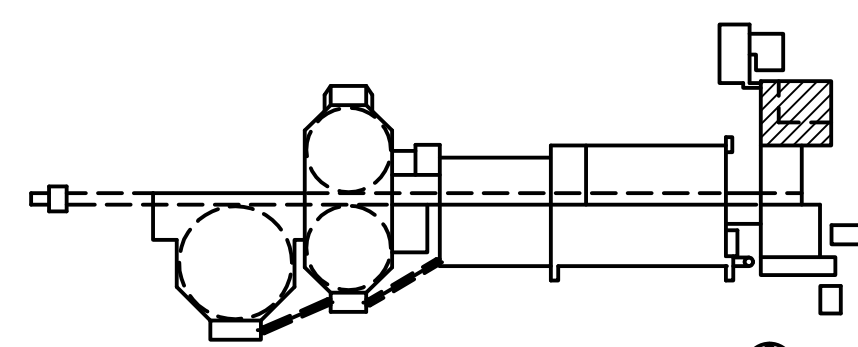


- CONSTRUCTION NOTES
- 1 INSTALL ESSENTIAL LIGHTING FIXTURES ON SERVICE LEVEL, AS SHOWN.
 - 2 INSTALL ESSENTIAL LIGHTING FIXTURE ON PUMP WELL LEVEL MOUNTED 1.5m FROM HANDRAIL AND 3.0m ABOVE PLATFORM.
 - 3 INSTALL 'NOT AN EXIT' SIGN, ON DOOR TO SERVICE LEVEL.

SNC-LAVALLIN	
<small>SNC-LAVALLIN INC. 148 Nelson Park Way Winnipeg, Manitoba Canada R3P 0G7</small>	
DESIGNED BY T. CHURCH	APPROVED BY C. REIMER
CHECKED BY C. REIMER	DATE 2011/03/11
PROJECT No. 1 112577	SUBJECT 0106 47 DD 2200 2

LIGHTING FIXTURE SCHEDULE

DESIGNATION	DESCRIPTION & TYPE	LOCATION	MTD. METHOD	MTD. HEIGHT TO UNDERSIDE OF FIXTURE
A	150 W HPS, 347 V BALLAST C/W 150 W TUNGSTEN HALOGEN LAMP	G102,G103,G108 G127 & G138	CEILING	
B	SAME AS 'A' BUT WITHOUT TUNGSTEN HALOGEN LAMP	G102,G103,G108 G127 & G138	CEILING	
C	2 X 75 W FLUORESCENT, 347 V BALLAST ENCLOSED & GASKETTED	G115 G136	PENDANT SURFACE	5.2m
D	2 X 40 W FLUORESCENT, 347 V BALLAST ENCLOSED & GASKETTED	STAIRWELLS G134 & G135 G111,G113,G115, G116,G117,G129, G130 & G131	SURFACE SURFACE PENDANT	3.2m
E	EXIT LIGHT, 2 X 25 W, 120 V	AS REQUIRED	WALL OR CEILING	ABOVE EXIT DOORS
F	100 W HPS, 347 V BALLAST WALLPACK C/W PHOTOCELL	EXTERIOR DOORWAYS	WALL	ABOVE EXTERIOR DOORS
G	SAME AS 'F' BUT WITHOUT PHOTOCELL CONTROL	G102,G103,G108 & G138	WALL	3.0m
H	2 X 40 W FLUORESCENT, 347 V BALLAST 1' X 4' TROFFER	G140	T-BAR CEILING	
J	2 X 40 W FLUORESCENT, 120 V BALLAST	G112	WALL	ABOVE MIRROR
K	150 W INCANDESCENT, 120 V	ELEVATOR PIT	WALL	1m ABOVE LANDING FLOOR
L	250 W HPS, 347 V BALLAST C/W 250 W TUNGSTEN HALOGEN LAMP	G114	PENDANT	6.7 m
M	SAME AS 'L' BUT WITHOUT TUNGSTEN HALOGEN LAMP	G114	PENDANT	6.7 m
P	2 X 32 W FLUORESCENT, 347 V BALLAST ENCLOSED & GASKETTED	G101, G108	WALL OR CEILING	



KEY PLAN N.T.S.

B.M. ELEV.	M A CLAREN ENGINEERS INC. WARDROP ENGINEERING INC. ENGINEERING CONSULTANTS	ENGINEER'S SEAL	THE CITY OF WINNIPEG WORKS AND OPERATIONS DIVISION WATERWORKS, WASTE & DISPOSAL DEPARTMENT
DESIGNED BY D.W.D.	CHECKED BY T.M. CHURCH	ORIGINAL DRAWING SEALED BY T.M. CHURCH	
DRAWN BY H.P.C.C.	APPROVED BY C. REIMER	DATE 2011/03/25	SOUTH END WATER POLLUTION CONTROL CENTRE PUMP & SCREEN BUILDING - ELECTRICAL LIGHTING & BUILDING SERVICES FLOOR PLAN
1 AS CONSTRUCTED 08/93 B.T.	2 ADDED ESSENTIAL LIGHTING AND EXIT SIGNS 2011/03/11 T.M.C.	RELEASSED FOR CONSTRUCTION	
0 ISSUED FOR TENDER 91/12 B.T.	1 SUBMITTED FOR CITY REVIEW 91/05 B.T.	CONSULTANT DRAWING NO. 10009-G-E103	CITY DRAWING NUMBER SEP-824
NO. REVISIONS	DATE BY	DATE NOV. 1991	SHEET OF