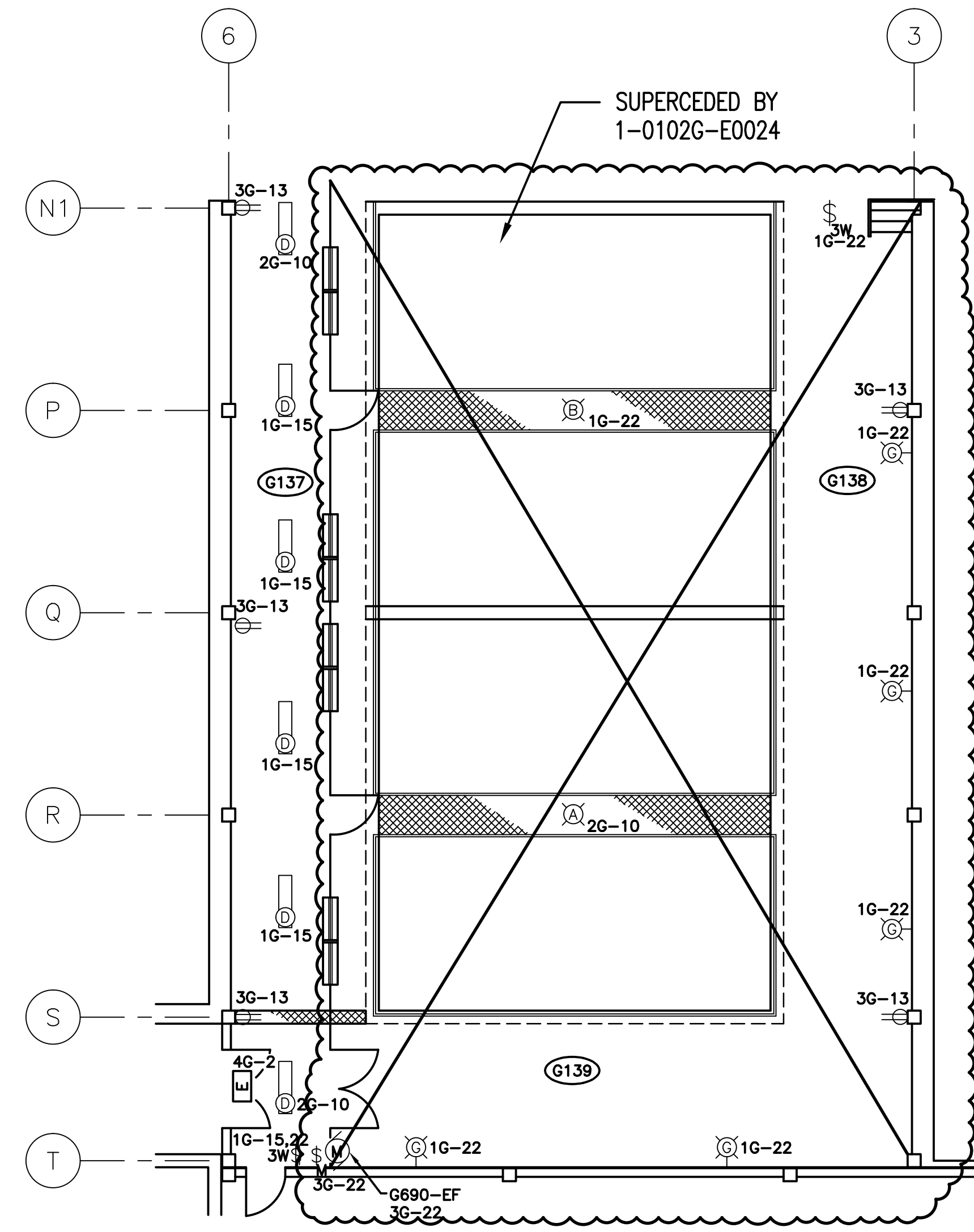
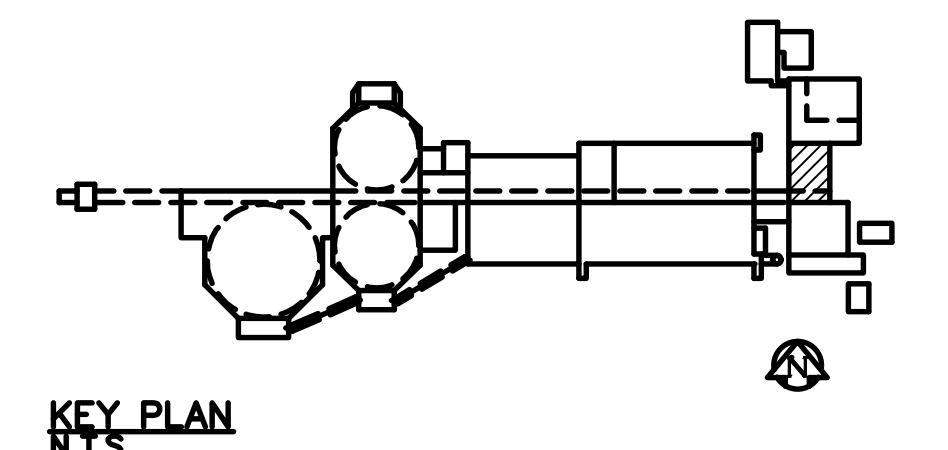
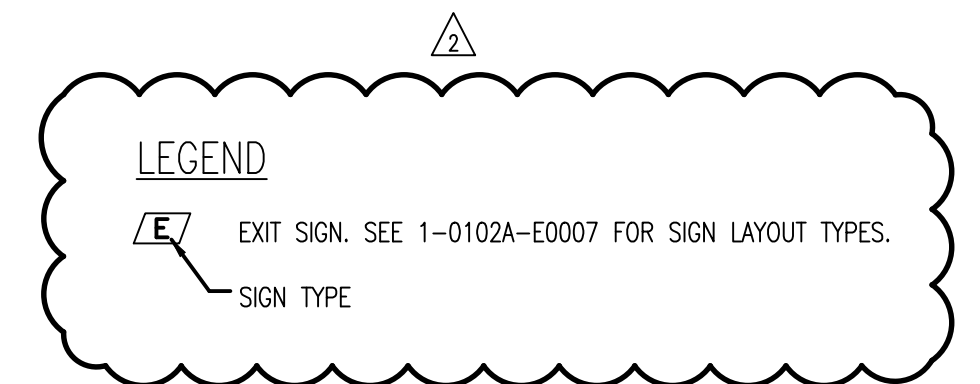


PLAN AT ELEVATION 228.9



PLAN AT ELEVATION 235.3



CONSTRUCTION NOTES	
1	REWIRE FIXTURE AS SHOWN.
2	REMOVE 4G-14 OUTLET ON CEILING AND INSTALL OUTLET FROM G10-7 ON WALL.

<b>SNC-LAVALIN</b>	
SNC-LAVALIN INC. 148 Nature Park Way Winnipeg, Manitoba Canada R3P 0J7	
DESIGNED BY <b>T. CHURCH</b>	APPROVED BY <b>C. REIMER</b>
CHECKED BY <b>C. REIMER</b>	DATE 2011/03/11
PROJECT NO. 112577	SUBJECT 0106 47 DO 2203 2

REFER TO DRAWING SEP-824 FOR FIXTURE SCHEDULE

NO.	REVISIONS	DATE	BY
2	ADDED ESSENTIAL LIGHTING AND EXIT SIGNS	2011/03/11	TMC
1	AS CONSTRUCTED	08/93	B.T.
0	ISSUED FOR TENDER	91/12	B.T.
-	SUBMITTED FOR CITY REVIEW	91/05	B.T.

M A CLAREN ENGINEERS INC. WARDROP ENGINEERING INC. <b>ENGINEERING CONSULTANTS</b>	
DESIGNED BY <b>D.W.D.</b>	CHECKED BY
DRAWN BY <b>H.P.C.C.</b>	APPROVED BY
HOR. SCALE: VERTICAL: <b>1 : 100</b>	RELEASED FOR CONSTRUCTION:
DATE NOV. 1991	DATE

ENGINEER'S SEAL	
ORIGINAL DRAWING SEALED BY: <b>T. M. CHURCH</b> SNC-LAVALIN 2011/03/25 REV. 02 CHANGES ONLY	
CONSULTANT DRAWING NO. <b>10009-G-E106</b>	

<b>THE CITY OF WINNIPEG</b> WORKS AND OPERATIONS DIVISION WATERWORKS, WASTE & DISPOSAL DEPARTMENT	
SOUTH END WATER POLLUTION CONTROL CENTRE PUMP & SCREEN BUILDING - ELECTRICAL	
LIGHTING & BUILDING SERVICES FLOOR PLAN	
CITY DRAWING NUMBER	SHEET OF
SEP-827	