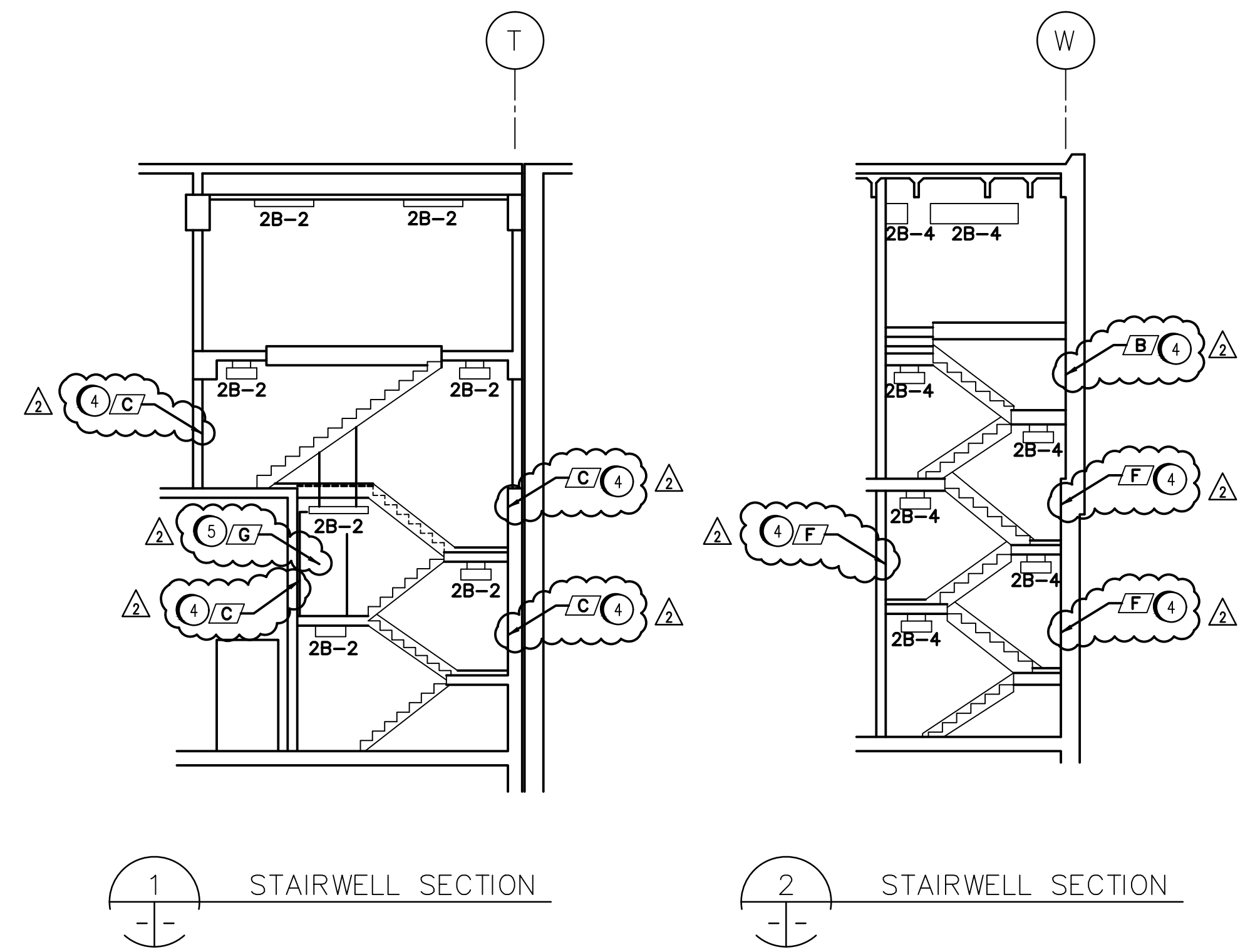


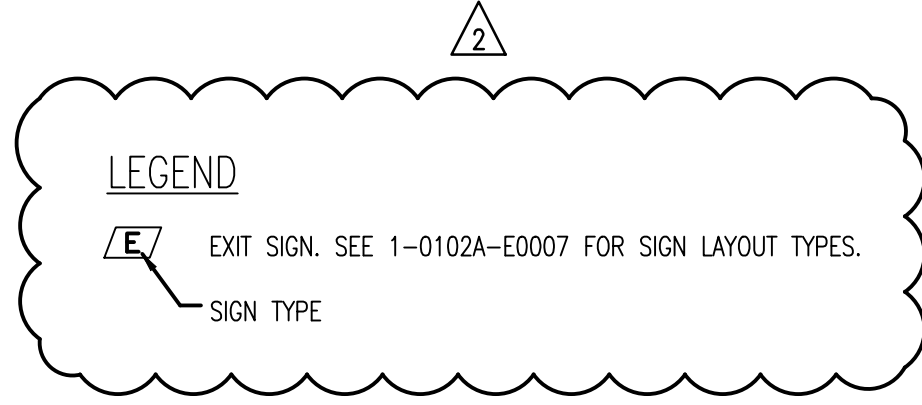
PLAN AT BASEMENT LEVEL 227.4



1 STAIRWELL SECTION

2 STAIRWELL SECTION

FIXTURE SCHEDULE	
TYPE	DESCRIPTION
A	HOLOPHANE "ENDURALUME", 150 WATT, 347V, HPS HI-BAY TYPE C/W 150 WATT TUNGSTEN HALOGEN LAMP FOR STANDBY LIGHTING
B	HOLOPHANE "ENDURALUME", 150 WATT, 347V, HPS HI-BAY TYPE
C	YORK "JH"SERIES, 2-40 WATT, 347V FLUORESCENT TROFFER TYPE (1'X4')
D	YORK "MG" SERIES, 2-40 WATT, 347V FLUORESCENT WRAP ARUOND CEILING MOUNT TYPE
E	READY-LITE "RX" SERIES 2-25 WATT, 347V EXIT LIGHT
E	LUMACELL "3000" SERIES, 5W, 120-347V EXIT LIGHT, WALL MOUNTED
F	HOLOPHANE "WALLPAK",100 WATT, 347V, HPS WALL MOUNTED TYPE C/W PHOTO CONTROL AND ISOLATING WINDING LEAD BALLAST
G	YORK "DTW" SERIES 2-40 WATT, 120V FLUORESCENT TYPE
H	HOLOPHANE "ENDURALUME",175 WATT,347V, METAL HALIDE TYPE C/W 150 WATT TUNGSTON HALOGEN LAMP FOR STANDBY LIGHTING
J	HOLOPHANE "ENDURALUME",175 WATT,347V, METAL HALIDE TYPE
K	YORK "JH"SERIES, 2-40 WATT, 347V FLUORESCENT TROFFER TYPE (2'X4')
L	COOPER "METALUX" SERIES, 2-32W, 347 FLUORESCENT



- CONSTRUCTION NOTES
- 1 INSTALL ESSENTIAL LIGHTING FIXTURE AS SHOWN.
 - 2 REMOVE EXIT SIGNS AS SHOWN.
 - 3 INSTALL EXIT SIGNS ON BOILER ROOM WALL AS SHOWN.
 - 4 INSTALL "RUNNING PERSON" EXIT SIGN ON WALL.
 - 5 INSTALL "NOT AN EXIT" SIGN ON STAIR SIDE OF DOOR.

SNC-LAVALIN INC. 148 Notre Dame St. Winnipeg, Manitoba Canada R3P 0Z7	
DESIGNED BY: T. CHURCH	APPROVED BY: C. REIMER
CHECKED BY: C. REIMER	DATE: 2011/03/11
PROJECT NO: 112577	SUBNOV: 0106
SUBJECT: 47 DO	SERIAL: 2300
REV: 2	

NO.	REVISIONS	DATE	BY
2	ADDED ESSENTIAL LIGHTING AND EXIT SIGNS	2011/03/11	TMC
1	AS CONSTRUCTED	08/93	B.T.
0	ISSUED FOR TENDER	91/12	B.T.
-	ISSUED FOR CITY REVIEW	91/05	B.T.

M A CLAREN ENGINEERS INC. WARDROP ENGINEERING INC. ENGINEERING CONSULTANTS	
DESIGNED BY: D.W.D.	CHECKED BY:
DRAWN BY: H.P.C.C.	APPROVED BY:
HOR. SCALE: 1 : 100	RELEASED FOR CONSTRUCTION:
VERTICAL:	DATE: NOV. 1991

ENGINEER'S SEAL
ORIGINAL DRAWING SEALED BY:
T. M. CHURCH
SNC-LAVALIN
2011/03/25
REV. 02
CHANGES ONLY
CONSULTANT DRAWING NO.
10009-B-E301

THE CITY OF WINNIPEG
WORKS AND OPERATIONS DIVISION
WATERWORKS, WASTE & DISPOSAL DEPARTMENT

SOUTH END WATER POLLUTION CONTROL CENTRE
SERVICE BUILDING EXPANSION - ELECTRICAL
LIGHTING & BUILDING SERVICES
FLOOR PLAN

CITY DRAWING NUMBER
SHEET OF
SEP-905

