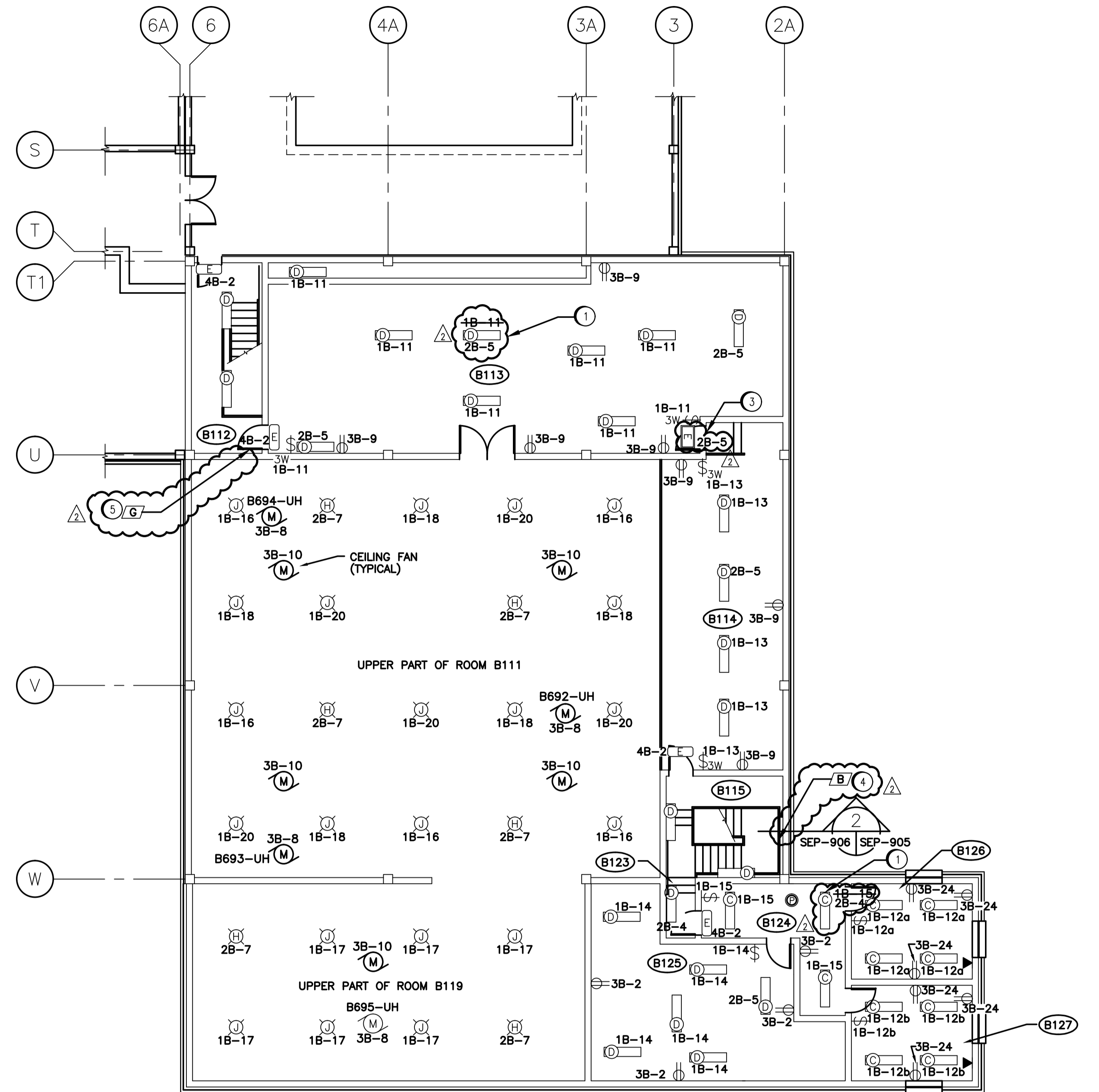


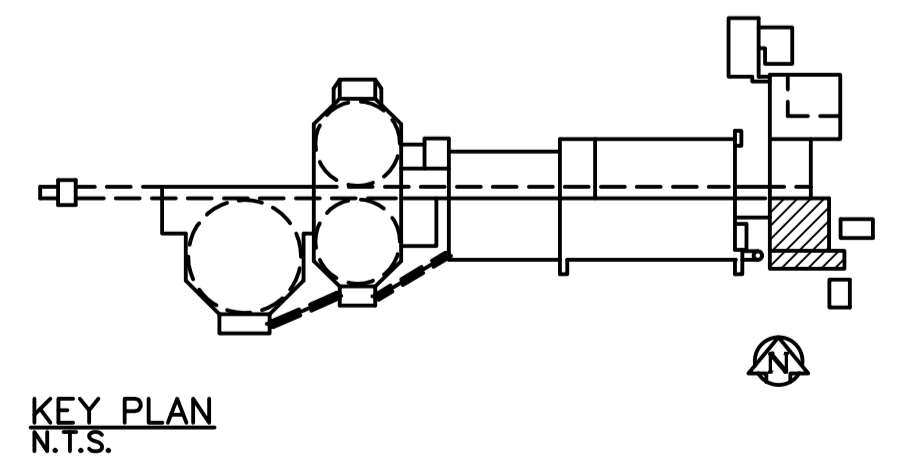
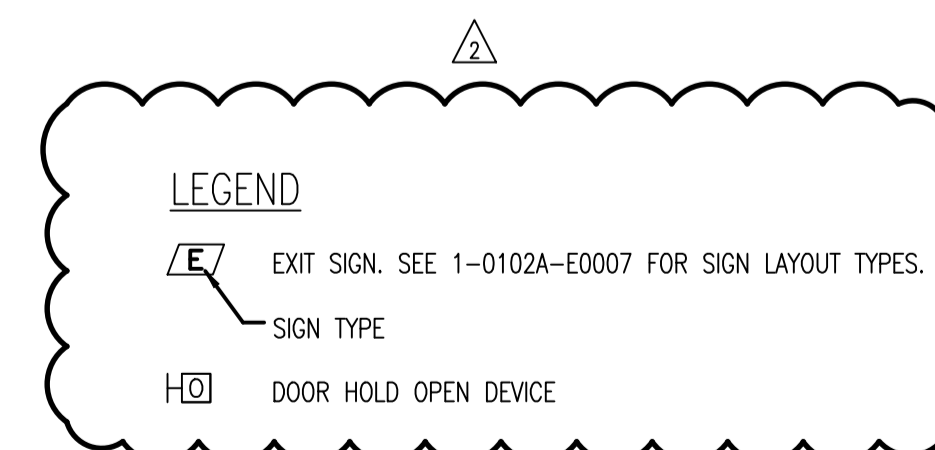
MAIN FLOOR PLAN (ELEVATION 232.6)



MEZZANINE FLOOR PLAN (ELEVATION 235.6)

- CONSTRUCTION NOTES**
- 1 REWIRE FIXTURES AS SHOWN.
 - 2 REMOVE EXISTING EXIT SIGN DIRECTING INTO WORKSHOP AND INSTALL NEW EXIT SIGN DIRECTING INTO EXIT CORRIDOR AS SHOWN.
 - 3 INSTALL EXIT SIGN AS SHOWN.
 - 4 INSTALL "RUNNING PERSON" EXIT SIGN ON WALL.
 - 5 INSTALL "NOT AN EXIT" SIGN ON DOOR.

SNC-LAVALLIN		SNC-LAVALLIN INC. 148 Notre-Park Way Winnipeg, Manitoba Canada R2P 0Z7	
DESIGNED BY T. CHURCH	APPROVED BY C. REIMER	DATE 2011/03/11	
CHECKED BY C. REIMER			
PROJECT NO. 112577	SUBNOV. 0106	SUBJECT 47 DD	SERIAL 2301
			REV. 2



REFER TO DRAWING SEP-905 FOR FIXTURE SCHEDULE

B.M. ELEV.		MACLAREN ENGINEERS INC. WARDROP ENGINEERING INC.		ENGINEER'S SEAL		THE CITY OF WINNIPEG WORKS AND OPERATIONS DIVISION WATERWORKS, WASTE & DISPOSAL DEPARTMENT	
		ENGINEERING CONSULTANTS		ORIGINAL DRAWING SEALED BY: T. M. CHURCH SNC-LAVALLIN 2011/03/25 REV. 02 CHANGES ONLY		SOUTH END WATER POLLUTION CONTROL CENTRE SERVICE BUILDING EXPANSION - ELECTRICAL	
DESIGNED BY D.W.D.		CHECKED BY		CONSULTANT DRAWING NO. 10009-B-E302		CITY DRAWING NUMBER	
DRAWN BY H.P.C.C.		APPROVED BY				SHEET OF	
HOR. SCALE: VERTICAL: 1 : 100		RELEASED FOR CONSTRUCTION:				LIGHTING & BUILDING SERVICES FLOOR PLAN	
NO. REVISIONS		DATE BY		DATE NOV. 1991		SEP-906	