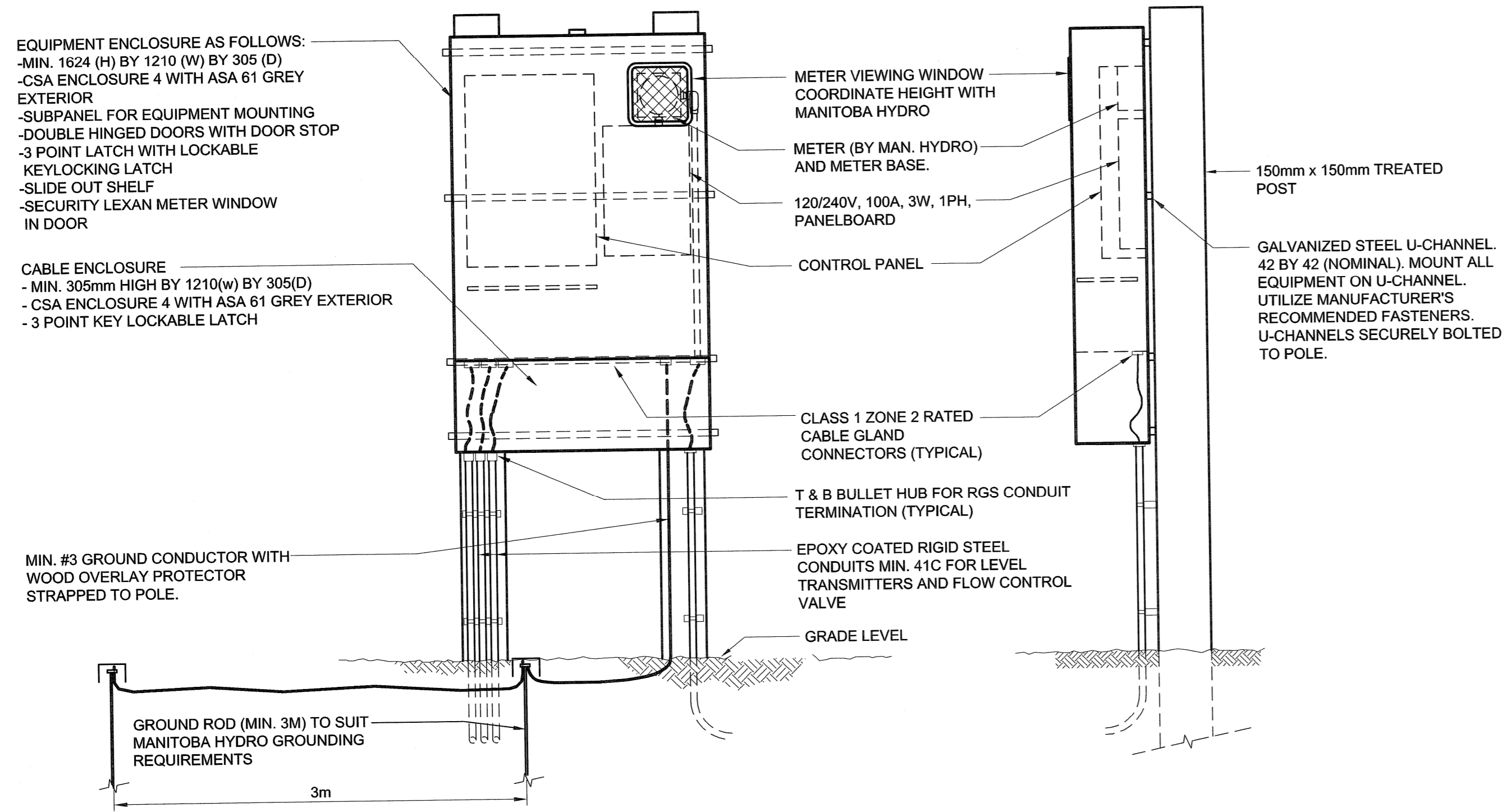


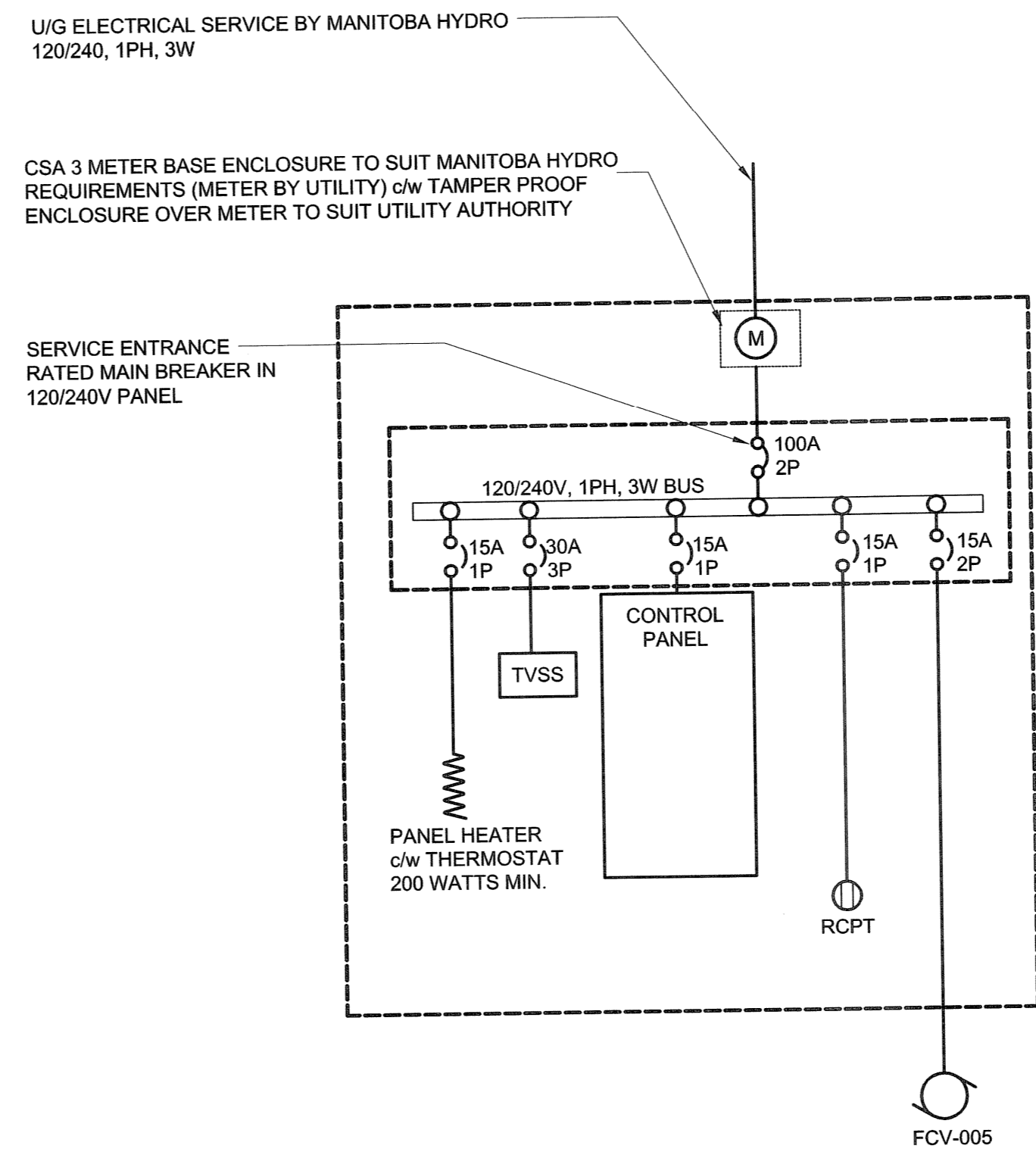
D SIZE 22" x 34" (559mm x 864mm)



- NOTES:**
1. PROVIDE INTERWIRING IN ENCLOSURE AS REQUIRED.
  2. CONTRACTOR TO SUBMIT SHOP DRAWINGS.

**ELECTRICAL POWER / CONTROL PANEL ENCLOSURE MOUNTING ARRANGEMENT**

SCALE: NTS

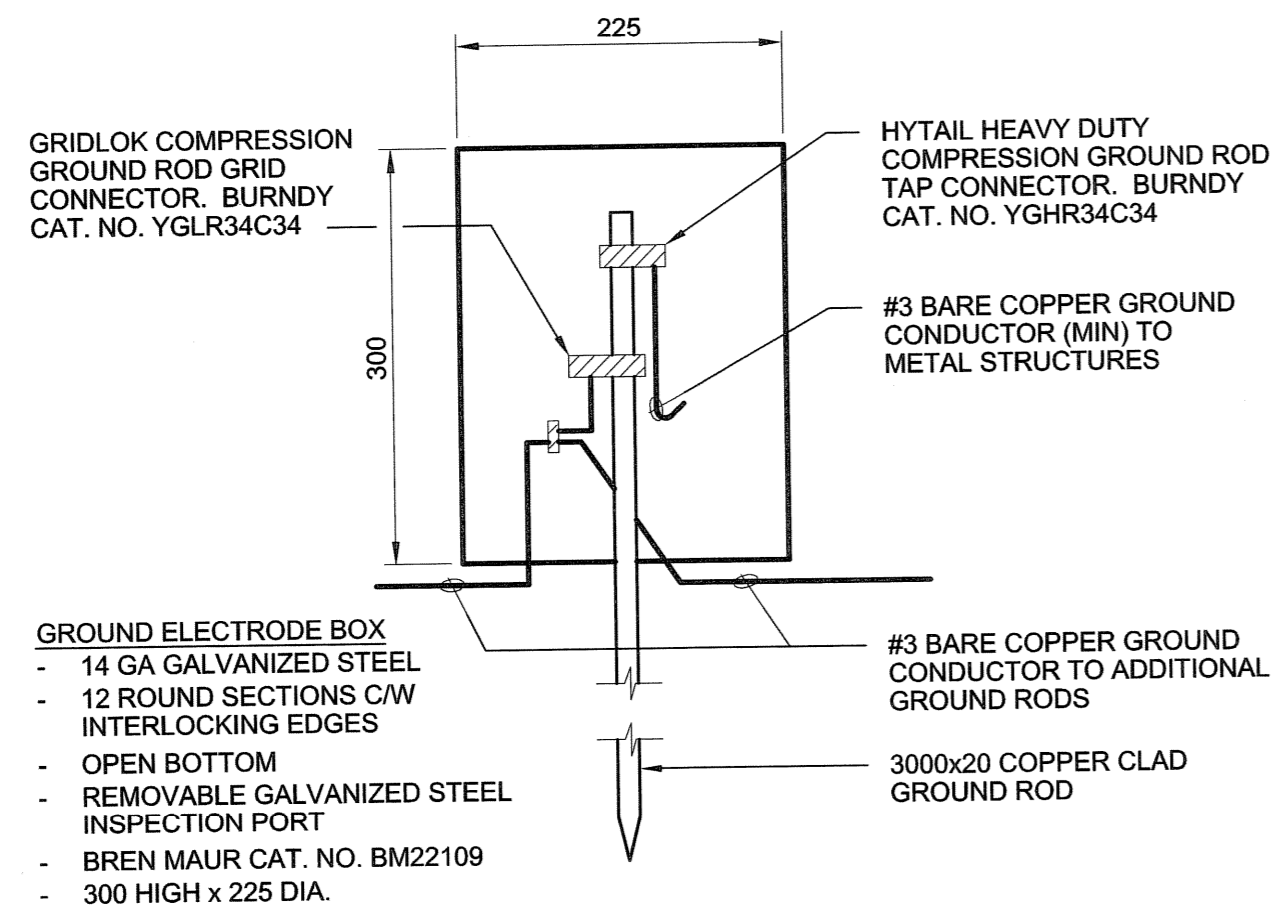


**CONTROL PANEL - ELECTRICAL SCHEMATIC DIAGRAM**

SCALE: NTS

**ELECTRICAL NOTES:**

1. COORDINATE WITH MANITOBA HYDRO FOR SERVICE CONNECTIONS AND METERING REQUIREMENTS. EXTEND SERVICE CONDUIT AND CONDUCTORS TO POINT ON POLE SUITABLE FOR MANITOBA HYDRO UNDERGROUND SERVICE CONNECTION. PROVIDE SUITABLE MOUNTING HARDWARE.
2. ELECTRICAL EQUIPMENT, WIRING AND CONNECTIONS IN MANHOLES TO BE RATED FOR CLASS 1 DIVISION 2, AND CATEGORY 2 CORROSIVE ENVIRONMENTS.
3. PROVIDE 300mm ADDITIONAL EXCESS CABLE IN CABLE TROUGH.
4. SUBMIT TO MANITOBA HYDRO ALL NECESSARY DRAWING AND SPECIFICATIONS. PAY ALL ASSOCIATED COSTS FOR PERMITS, INSPECTIONS, SERVICE CONNECTIONS ETC.



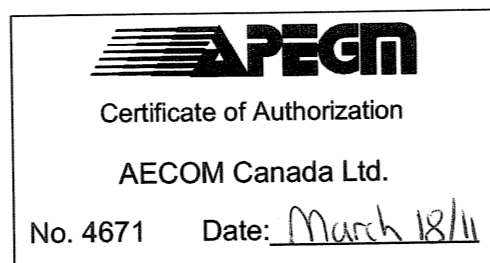
**GROUND ROD AND ELECTRODE BOX DETAIL**

SCALE: NTS

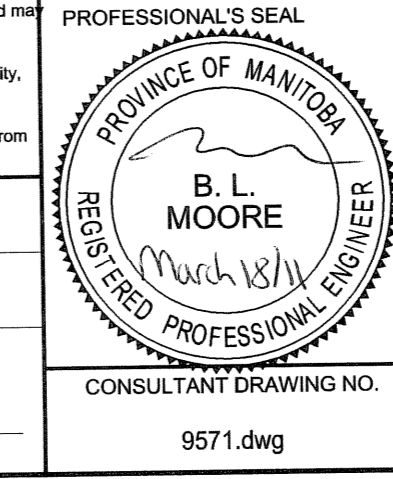
**METRIC**  
WHOLE NUMBERS INDICATE MILLIMETRES  
DECIMALIZED NUMBERS INDICATE METRES

**LOCATION APPROVED UNDERGROUND STRUCTURES**

SUPR. U/G STRUCTURES DATE COMMITTEE  
NOTE: LOCATION OF UNDERGROUND STRUCTURES AS SHOWN ARE BASED ON THE BEST INFORMATION AVAILABLE. BUT NO GUARANTEE IS GIVEN THAT ALL EXISTING UTILITIES ARE SHOWN OR THAT THE GIVEN LOCATIONS ARE EXACT. CONFIRMATION OF EXISTENCE AND EXACT LOCATION OF ALL SERVICES MUST BE OBTAINED FROM THE INDIVIDUAL UTILITIES BEFORE PROCEEDING WITH CONSTRUCTION.



DESIGNED BY		BM		CHECKED BY		[Signature]	
DRAWN BY		SCK		APPROVED BY		[Signature]	
HOR. SCALE				RELEASED FOR CONSTRUCTION			
VERT. SCALE				DATE			



BID OPPORTUNITY NO. 218-2011

**THE CITY OF WINNIPEG**  
WATER AND WASTE DEPARTMENT

**CSO STORAGE FACILITY AT THE UNIVERSITY OF WINNIPEG**  
ELECTRICAL  
SERVICE DETAILS

SHEET 7 OF 19  
CITY DRAWING NUMBER  
**9571**  
REV 0

AECOM REVIEW DRFT CHK  
AECOM FILE NAME: 9571.dwg Saved By: kovatskik