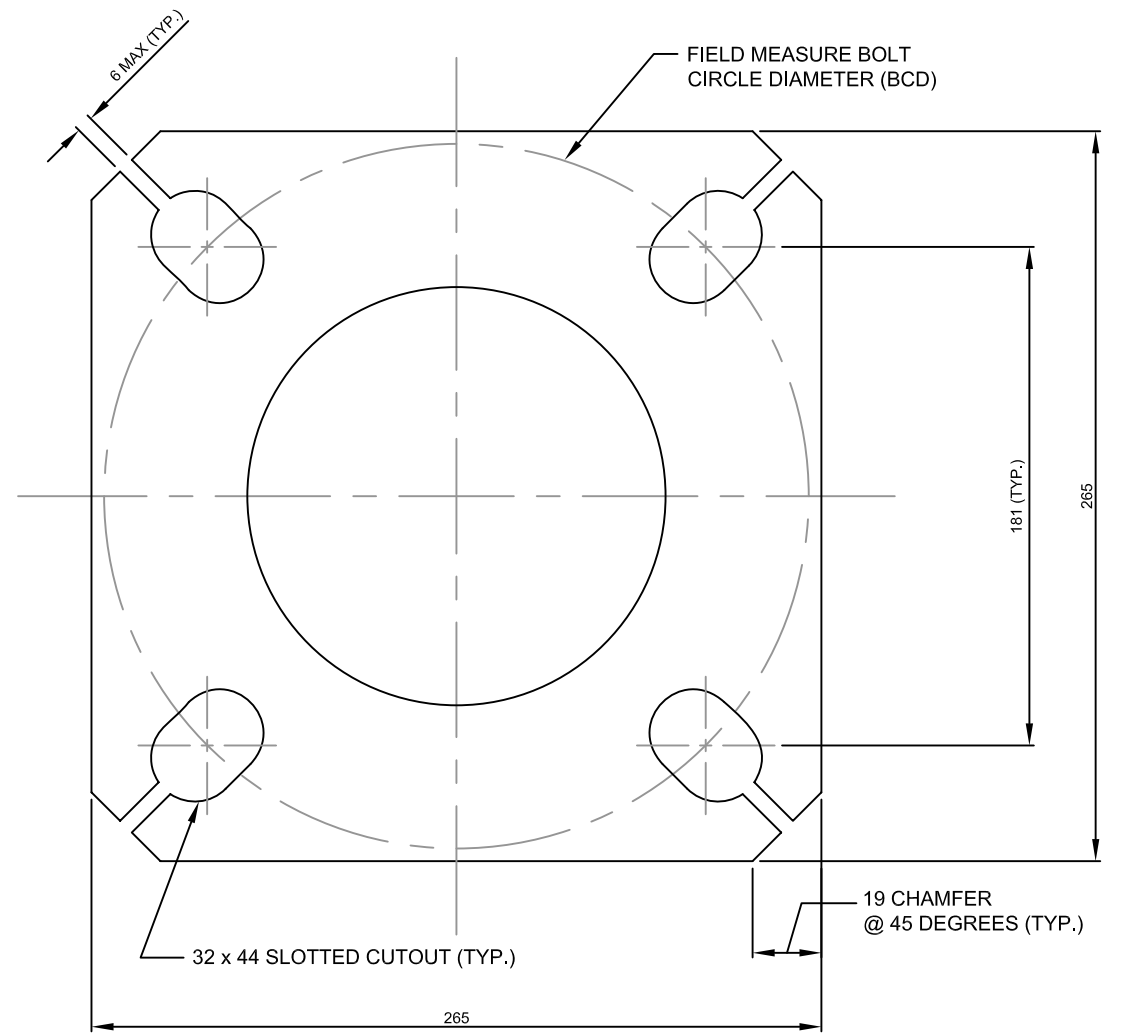
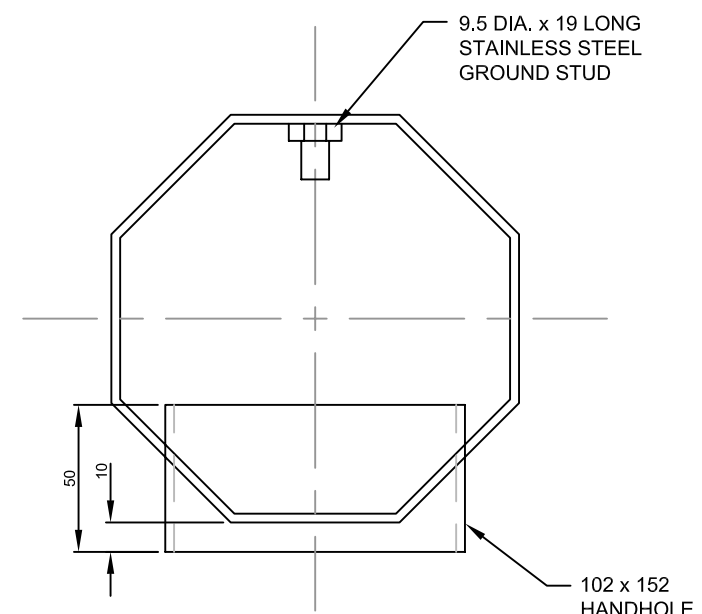


**ORNAMENTAL LIGHT POLE**  
N.T.S.



**BASEPLATE DETAIL**  
N.T.S.



**SECTION 1**  
N.T.S.  
COVER ASS'Y NOT SHOWN FOR CLARITY

**NOTE:**  
EXISTING FIXTURES WILL BE REFURBISHED BY OTHERS AND REUSED. EXISTING FIXTURES WILL BE PROVIDED TO POLE FABRICATOR FOR DESIGN PURPOSES AND TO PROPER FIT AND MOUNTING.

**METRIC**  
WHOLE NUMBERS INDICATE MILLIMETRES  
DECIMALIZED NUMBERS INDICATE METRES

B.M. ELEV.	DESIGNED BY:	ENGINEER'S SEAL	
	DRAWN BY: M.R.T.		
	CHECKED BY: B.A.N.		
	APPROVED BY: B.A.N.		
	AUTHORIZED BY:		
	B.A. NEIRNICK BRIDGE PLANNING & OPERATIONS ENGINEER	BID OPPORTUNITY NO.: 225-2011	
NO.	REVISION	DATE	BY

**CITY OF WINNIPEG**  
 PUBLIC WORKS DEPARTMENT  
 ENGINEERING DIVISION

KILDONAN TWIN BRIDGE  
 OVER RED RIVER  
 SHEET 1 OF 1  
 HORIZONTAL: N.T.S.  
 VERTICAL: N.T.S.  
 ORNAMENTAL LIGHTING POLE  
 CITY DRAWING NUMBER:  
 B216-11-01