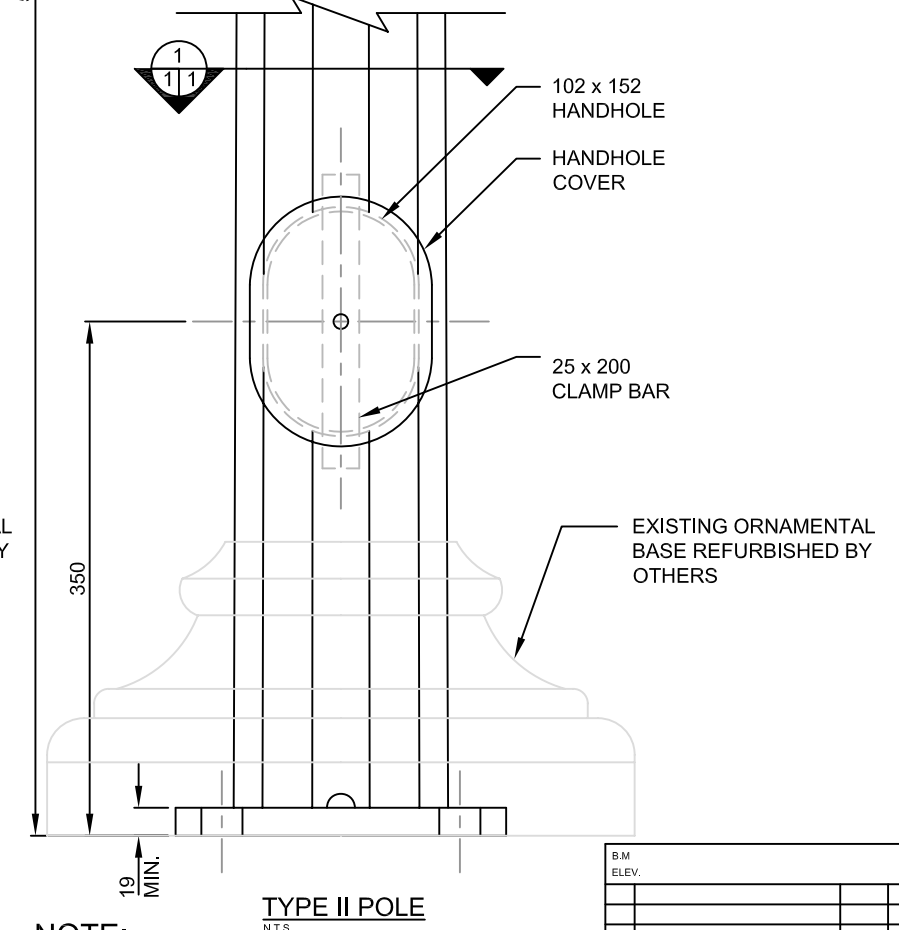
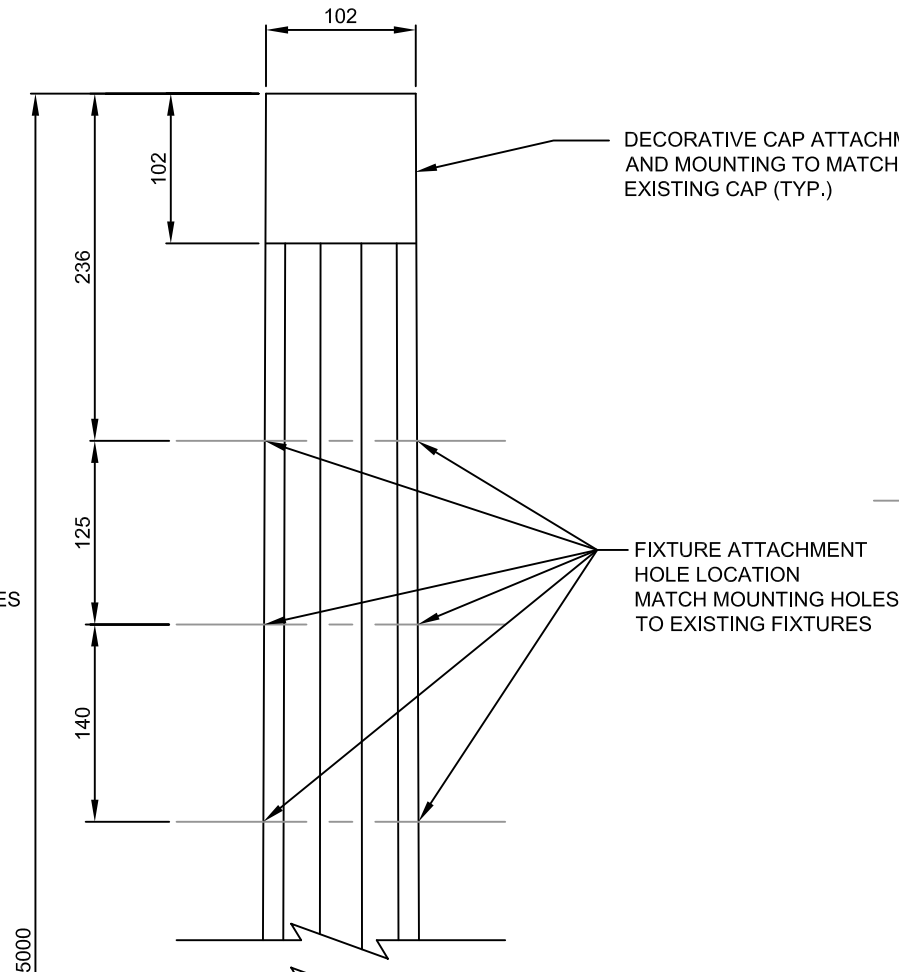
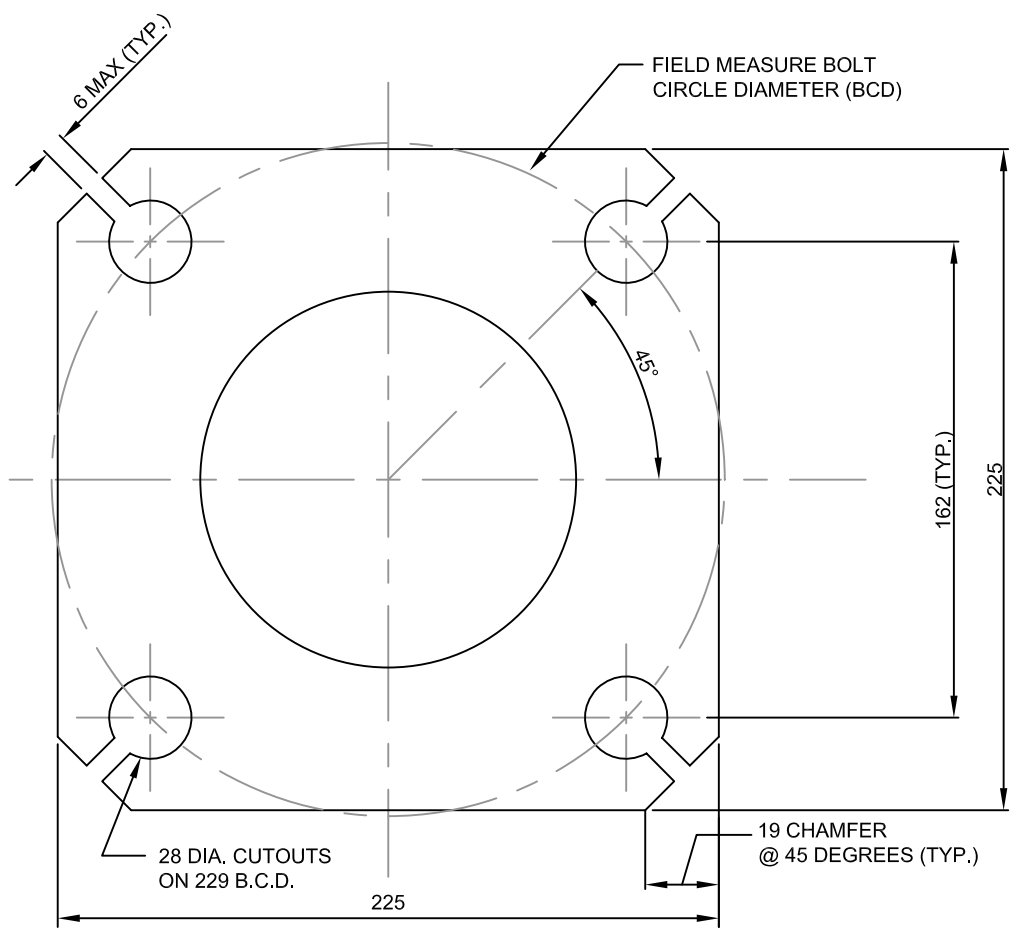


TYPE I POLE
N.T.S.

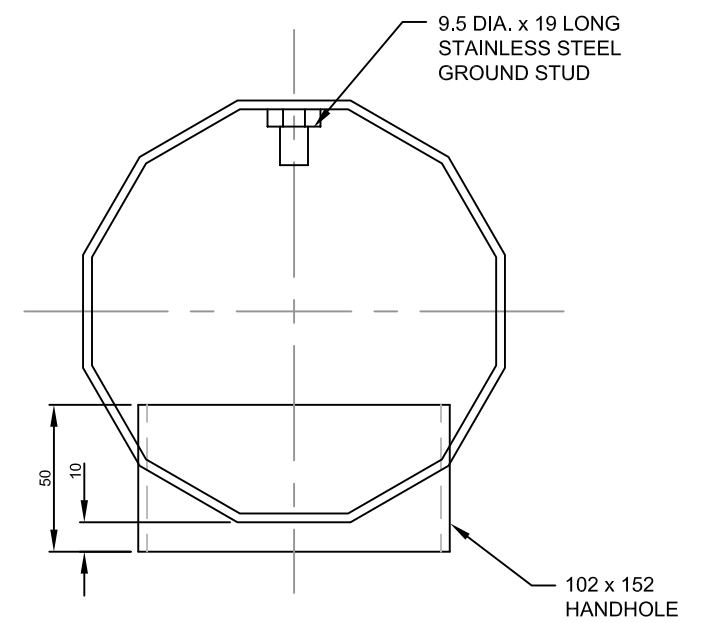


TYPE II POLE
N.T.S.

NOTE:
EXISTING FIXTURES WILL BE REFURBISHED BY OTHERS AND REUSED. EXISTING FIXTURES WILL BE PROVIDED TO POLE FABRICATOR FOR DESIGN PURPOSES AND TO PROPER FIT AND MOUNTING.



BASEPLATE DETAIL
N.T.S.



SECTION 1-1
N.T.S.
COVER ASSY NOT SHOWN FOR CLARITY

METRIC
WHOLE NUMBERS INDICATE MILLIMETRES
DECIMALIZED NUMBERS INDICATE METRES

| DESCRIPTION | TYPE I | TYPE II |
|-------------|--------|---------|
| # REQUIRED | 4 | 14 |

| | | |
|--------------|---------------------|---|
| B.M. ELEV. | DESIGNED BY: | ENGINEER'S SEAL |
| | DRAWN BY: M.R.T. | |
| | CHECKED BY: B.A.N. | |
| | APPROVED BY: B.A.N. | |
| | AUTHORIZED BY: | |
| NO. REVISION | DATE | BY |
| | | B.A. NEIRNCK BRIDGE PLANNING & OPERATIONS ENGINEER |

CITY OF WINNIPEG
PUBLIC WORKS DEPARTMENT
ENGINEERING DIVISION

PEMBINA HIGHWAY TWIN BRIDGE
OVER LaSALLE RIVER

ORNAMENTAL LIGHTING POLES
TYPE I & II

SHEET 1 OF 1
HORIZONTAL: N.T.S.
VERTICAL: N.T.S.
CITY DRAWING NUMBER:
B224-11-01

BID OPPORTUNITY NO.:
225-2011