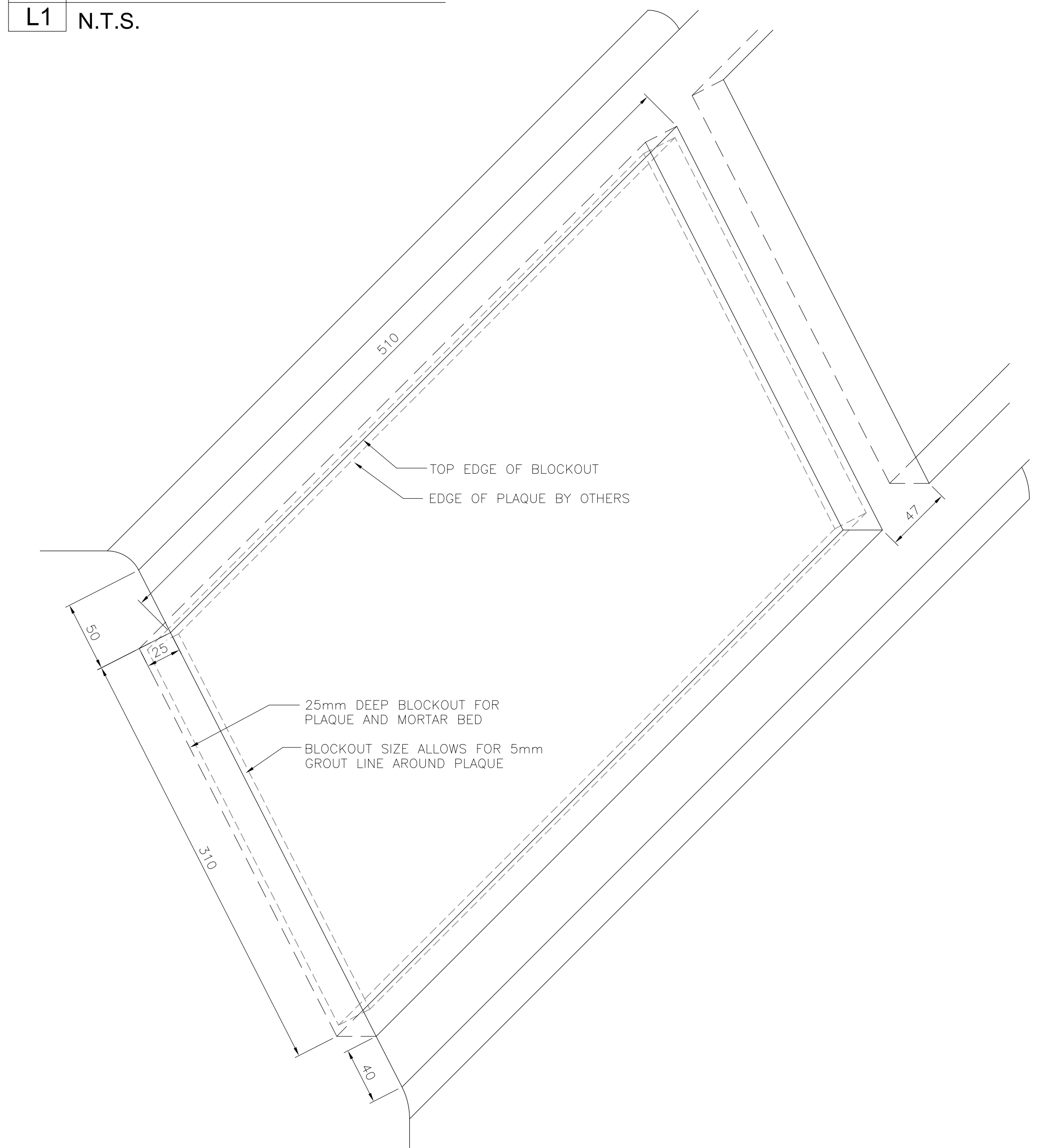
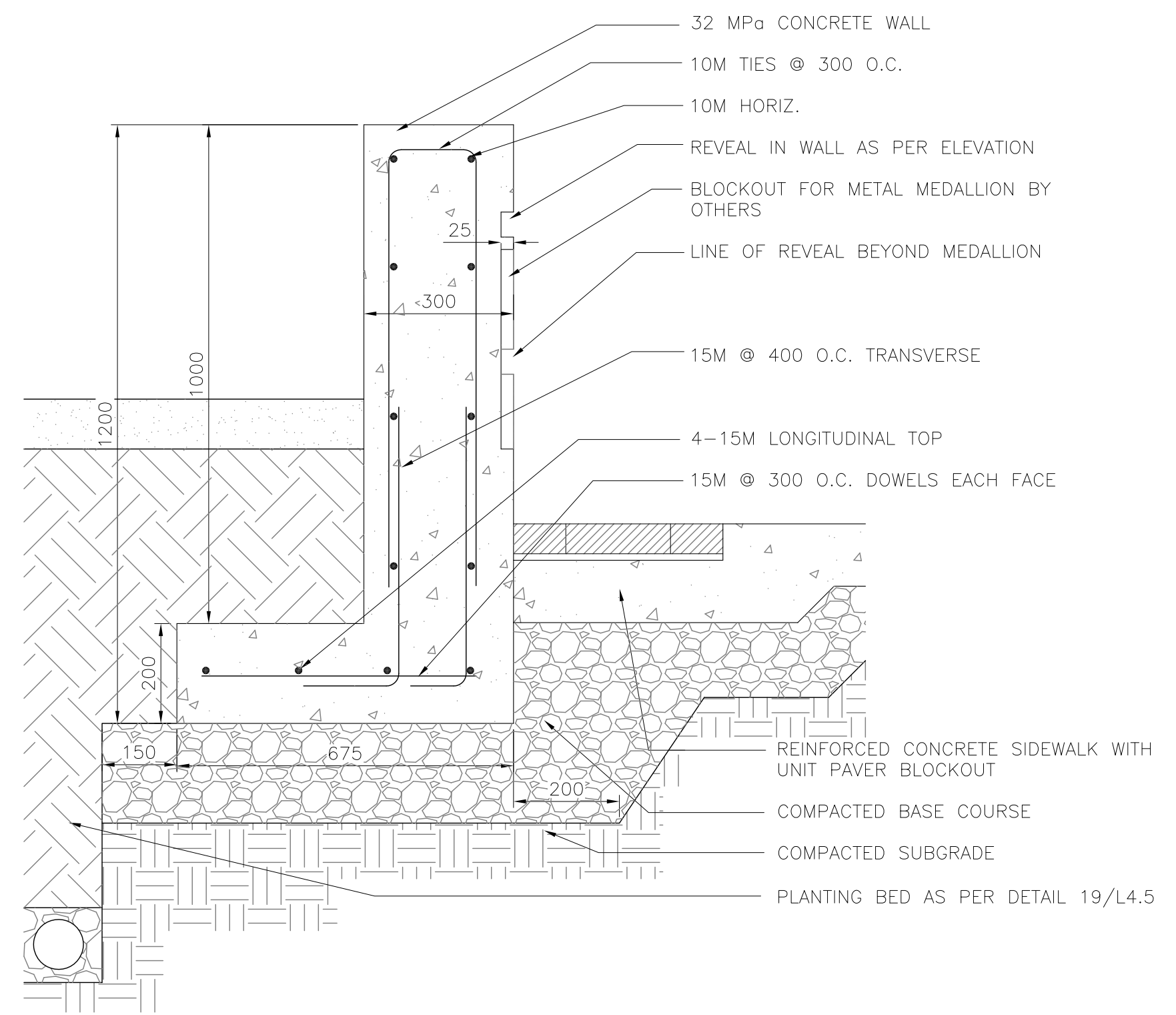


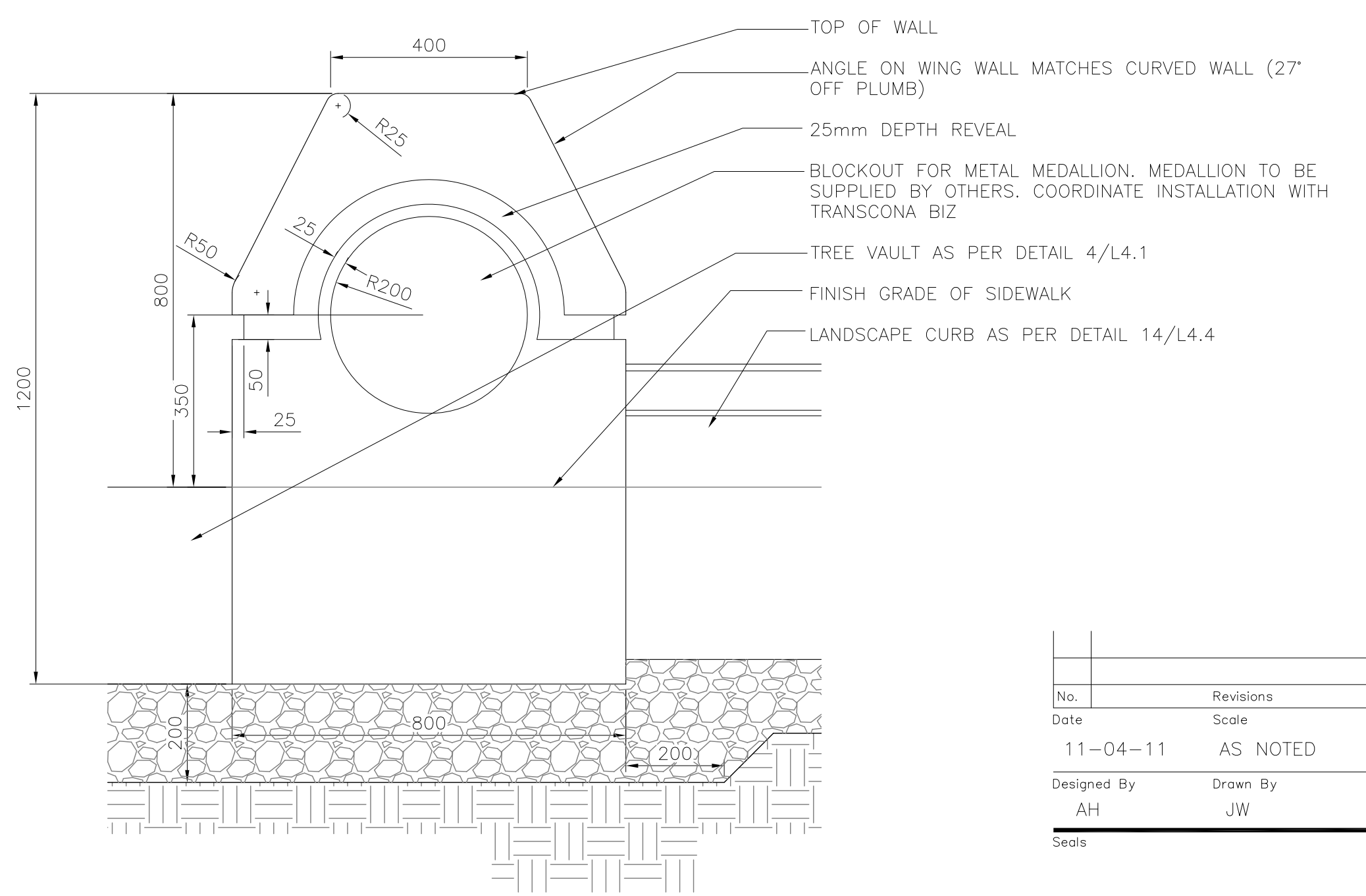
6 CURVED CIP CONCRETE WALL
L1 N.T.S.



7 BLOCKOUT FOR PLAQUES (AXONOMETRIC)
L1 N.T.S.



8 CIP CONCRETE WING WALL
L1 N.T.S.



NORTH END ELEVATION

No.	Revisions	Date	By
Date Scale 11-04-11 AS NOTED			
Designed By	Drawn By	Checked By	
AH	JW	SR	

McGOWAN · RUSSELL
Client
TRANSCONA BIZ

Project Title
TRANSCONA CENTENNIAL SQUARE

Sheet Title
DETAILS

Project No. 10-025 Drawing No. L4.2