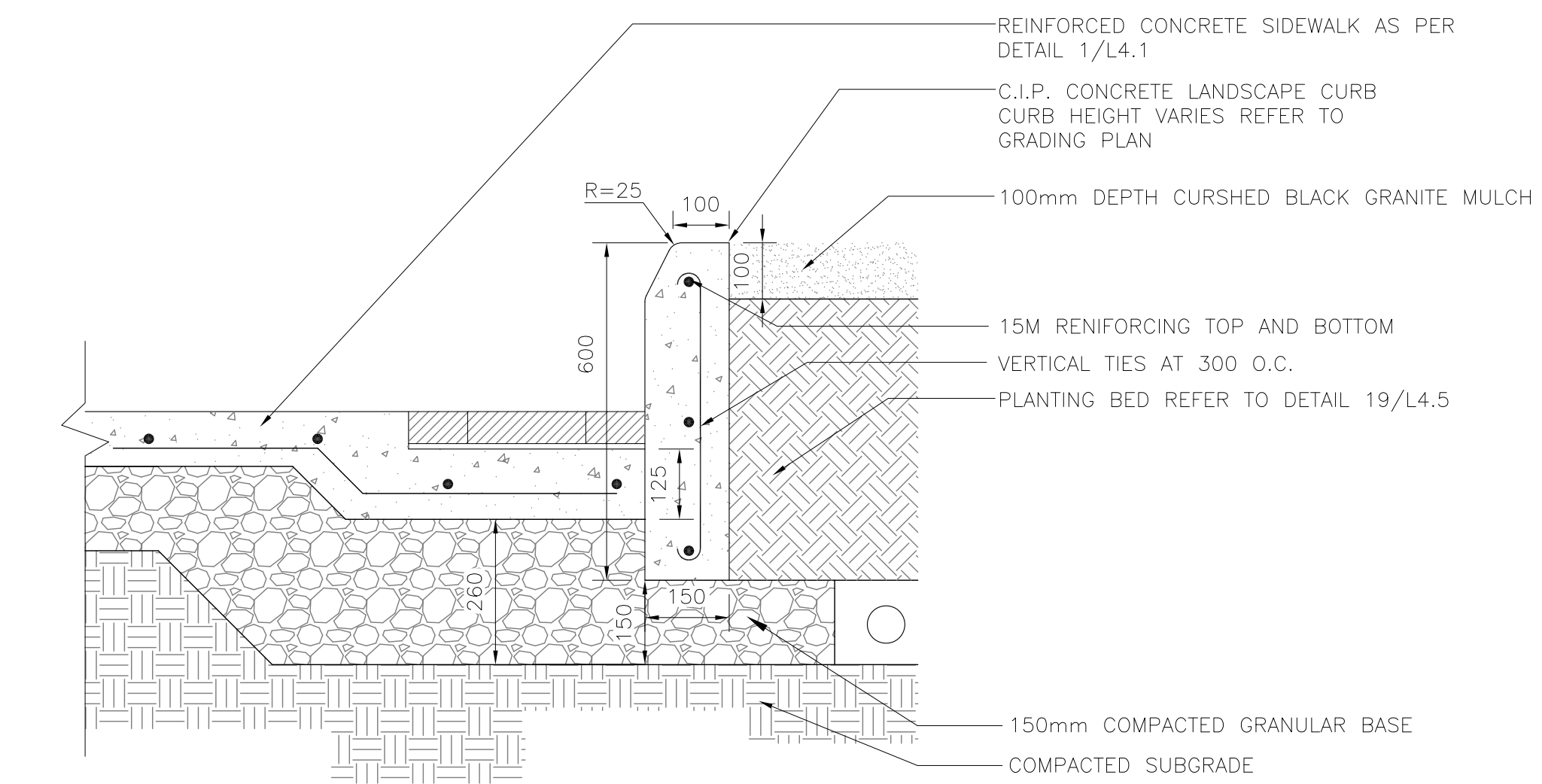
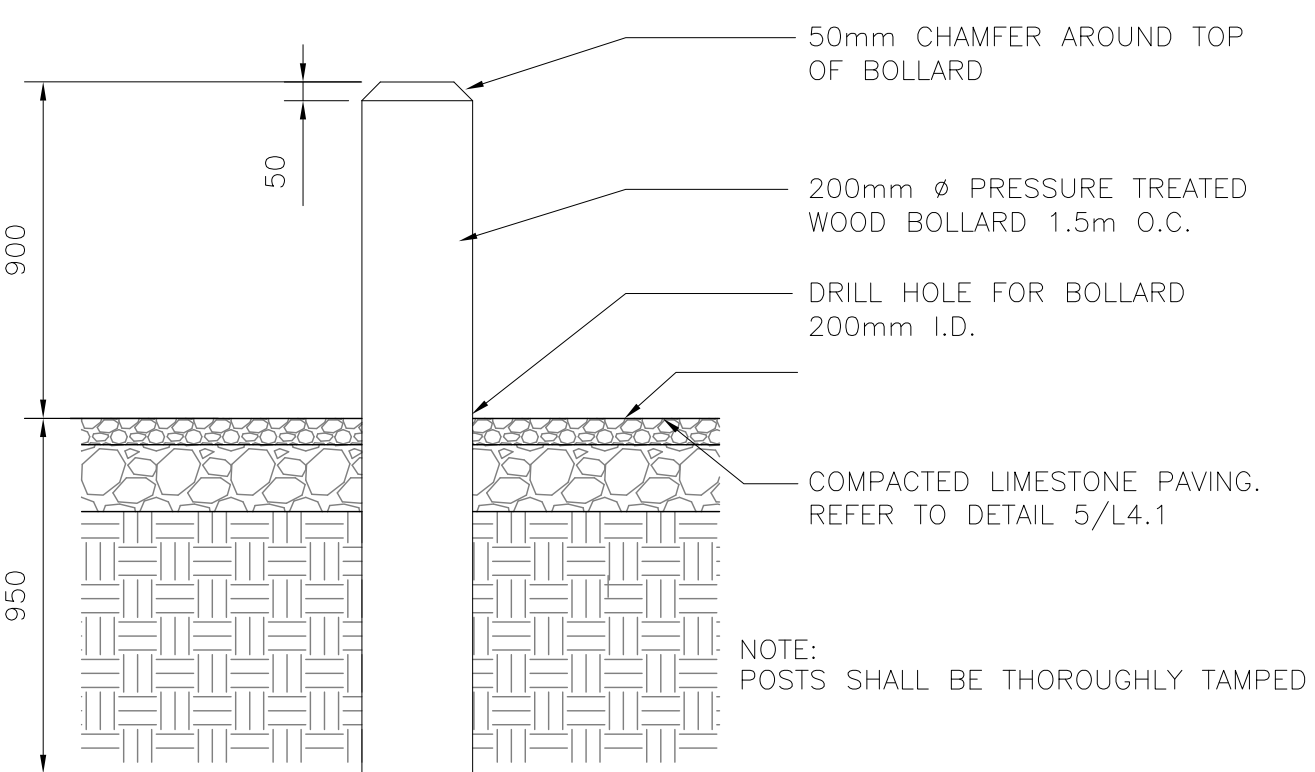


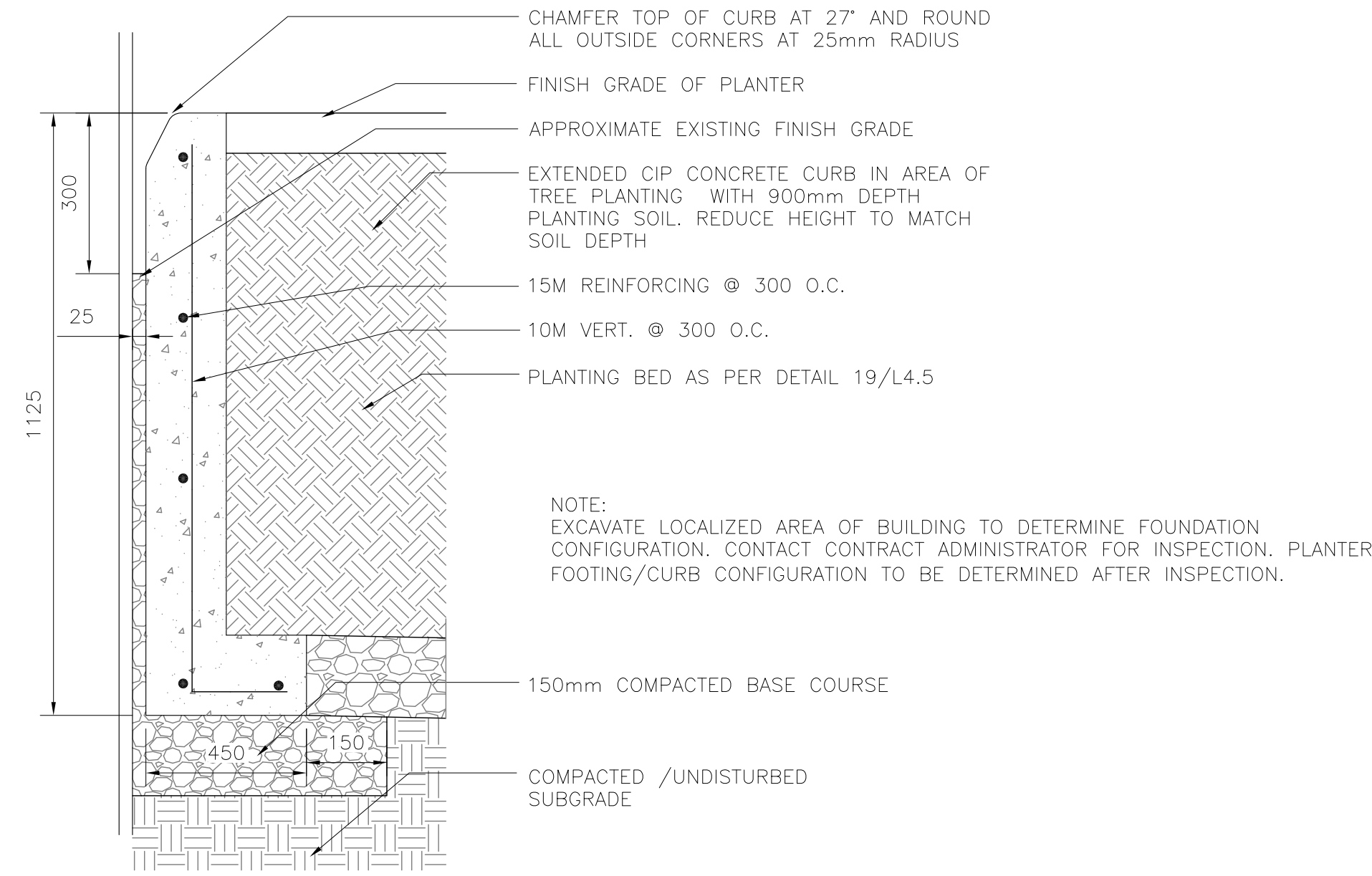
13 ORNAMENTAL METAL TRELLIS
L1 N.T.S.



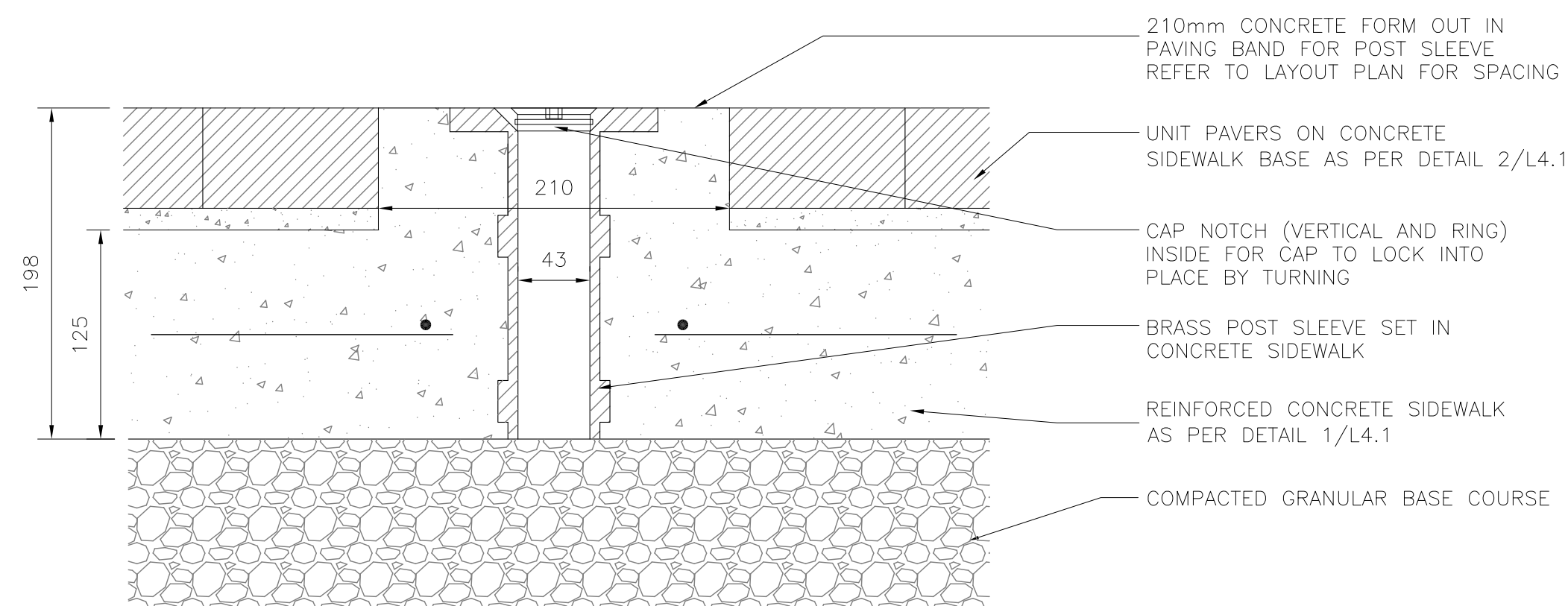
14 C.I.P. CONCRETE LANDSCAPE CURB
L1 N.T.S.



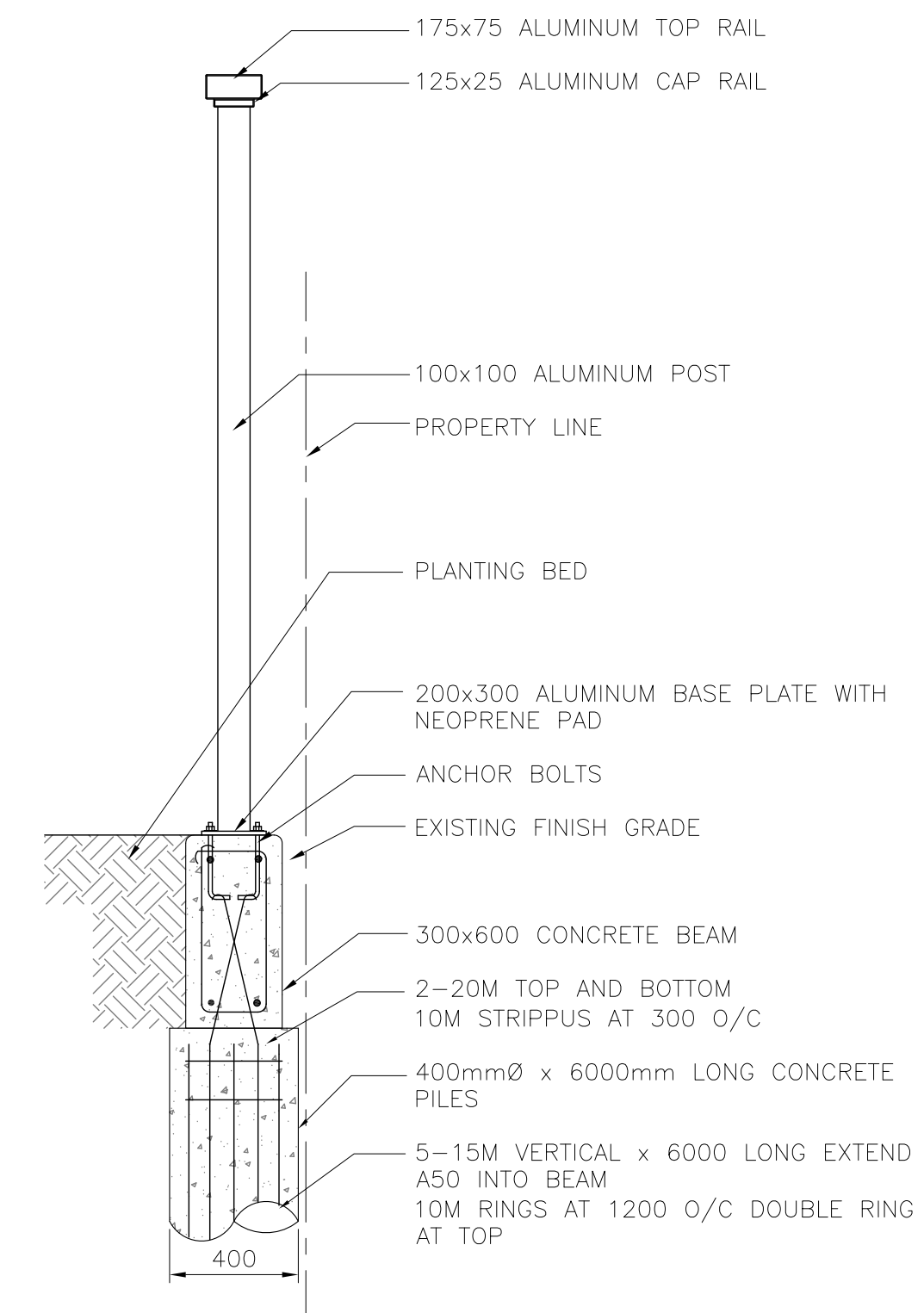
16 WOOD BOLLARD
L1 N.T.S.



15 LANDSCAPE CURB AT ADJACENT BUILDING
L1 N.T.S.



17 POST SLEEVE IN PAVERS
L1 N.T.S.



No.	Revisions	Date	By
11-04-11		AS NOTED	
Designed By	Drawn By	Checked By	
JW	PB	JW	

ALL DIMENSIONS PROVIDED FOR INFORMATION ON DESIGN INTENT.

CONTRACTOR TO SUPPLY SHOP DRAWINGS STAMPED BY A STRUCTURAL ENGINEER LICENSED BY A PRACTICE IN THE PROVINCE OF MANITOBA WITH EXTENSIVE EXPERIENCE IN THE DESIGN & MANUFACTURING OF ALUMINIUM SITE FURNITURE. SHOP DRAWINGS TO INCLUDE WALL THICKNESSES, MATERIALS ETC. AS LISTED IN THE SPECIFICATIONS.



Client
TRANSCONA BIZ

Project Title
TRANSCONA CENTENNIAL SQUARE

Sheet Title
DETAILS

Project No.
10-025 Drawing No.
L4.4