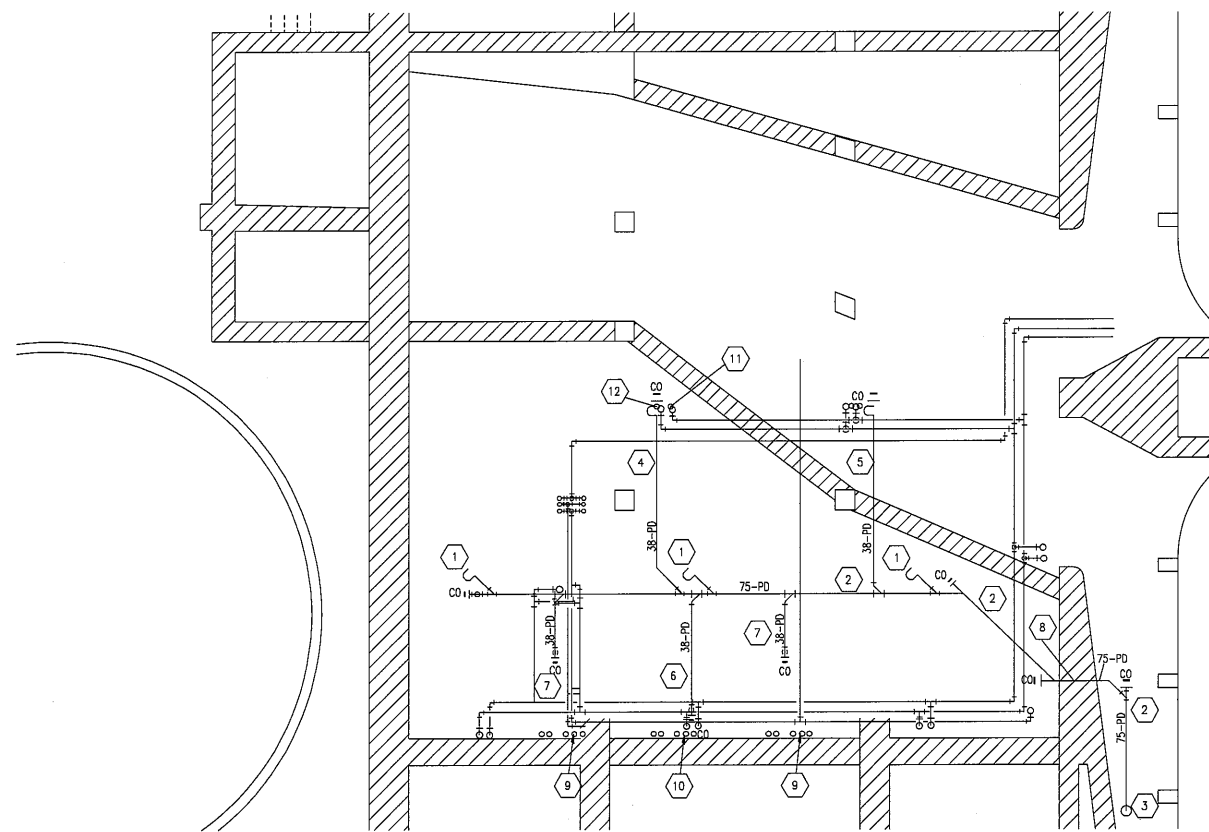


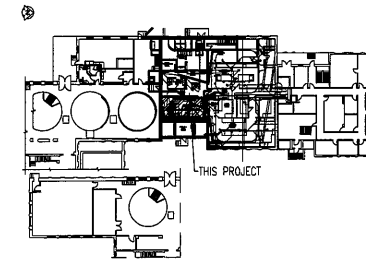
LABORATORY — NEW PLUMBING ABOVE FLOOR
SCALE 1:50



LABORATORY — NEW PLUMBING IN CRAWL SPACE
SCALE 1:50

KEY NOTES

- 1 NEW FLOOR DRAINS C/W NEW TRAPS TO REPLACE EXISTING, TO SUIT FLOOR FINISH; SEE SPECIFICATIONS FOR DETAILS.
- 2 NEW COMBINATION DELUGE SHOWER/EYE WASH, SEE ARCHITECTURAL.
- 3 NEW DISHWASHER; PROVIDE 1 3/4" DCW & DHW & 1 3/4" DI RISERS FROM MAINS IN THE BASEMENT, C/W ISOLATION BALL VALVE; RAISERS RUN WITHIN DRY WALL FURRING; PROVIDE 3/8" DRAIN LINE.
- 4 1 3/8" DCW & DHW TO SINK FROM WORK BENCH CHASE, C/W ISOLATION VALVES.
- 5 NEW 1 3/8" DI WATER LINE TO DI FAUCET FROM WORK BENCH PIPE CHASE.
- 6 1 3/8" DI WATER TO CUP SINK WITHIN BASE CABINET CHASE, C/W ISOLATION VALVE.
- 7 1 3/8" CA TO CA BB, C/W ISOLATION VALVE UNDER COUNTER C/W ISOLATION VALVE.
- 8 1 3/8" VACUUM TO VACUUM BB, C/W ISOLATION VALVE UNDER COUNTER.
- 9 NEW 1 3/8" PROCESS & DOMESTIC LINES TO WORK BENCH PIPE CHASE; LINES AS FOLLOWS:
-1 3/8" DCW
-1 3/8" DHW
-1 3/8" DI
-1 3/8" CA
-1 3/8" VACUUM
CORE NEW FLOOR OPENINGS, TO SUIT; ALL LINES WILL BE C/W ISOLATION VALVES ABOVE FLOOR PIPE PENETRATIONS TO MATCH FLOOR RATING; LINES TIGHT TO BLOCK WALL WITHIN NEW FURRING.
- 10 NEW 1 3/8" PROCESS & DOMESTIC LINES TO FUME HOOD; LINES AS FOLLOWS:
-1 3/8" DCW
-1 3/8" DHW
-1 3/8" DI
-1 3/8" CA
-1 3/8" VACUUM
CORE NEW FLOOR OPENINGS, TO SUIT; ALL LINES WILL BE C/W ISOLATION VALVES ABOVE FLOOR PIPE PENETRATIONS TO MATCH FLOOR RATING; LINES TIGHT TO BLOCK WALL WITHIN NEW FURRING.
- 11 3/2" DIW (DOMESTIC TEMPERED WATER) FROM BASEMENT, THRU NEW WALL FURRING; PROVIDE ISOLATION VALVE ABOVE FLOOR; PIPE PENETRATION TO MATCH FLOOR RATING.
- 12 3/2" PROCESS DRAIN LINE FROM ES-1 COLUMN (EYEWASH DRAIN), THRU FLOOR TO NEW ROOM PROCESS DRAIN.
- 13 3/8" PROCESS DRAIN LINE; RUN INSIDE BENCH PIPE CHASE, TO SERVICE SINK AND CUP SINK RUN THRU FLOOR AND CONNECT TO NEW 75# PROCESS DRAIN; RUN 3/8" VENT UP INTO CEILING SPACE; CONNECT TO NEW COMMON 50# VENT THRU ROOF.
- 14 3/8" PROCESS DRAIN LINE; RUN INSIDE FUME HOOD BASE CABINET THRU FLOOR TO CRAWL SPACE; CONNECT TO NEW 75# PROCESS DRAIN MAIN, TO SERVICE SINK AND CUP SINK; RUN 3/8" VENT UP INTO CEILING SPACE; CONNECT TO NEW COMMON 75# VENT THRU ROOF.
- 15 NEW 75# VENT STACK TO SERVICE ALL VENTED FIXTURES IN NEW LAB; PROVIDE NEW PITCH POCKET AND EXTEND THRU ROOF; INCREASE PIPE SIZE TO 100# BELOW ROOF; TERMINATE 150mm ABOVE PITCH POCKET.



KEY PLAN
SCALE NTS

GENERAL NOTES

1. PERFORM ALL WORK IN ACCORDANCE WITH ALL APPLICABLE CODES, STANDARDS AND CITY INSPECTIONS REQUIREMENTS.
2. COORDINATE WORKS WITH OTHER SUB-TRADES. REFER TO SPECIFIC DETAILS FOR CUTTING AND SEALING PENETRATIONS THROUGH OPENINGS & FIRE SEPARATIONS.
3. REFER TO TECHNICAL SPECIFICATIONS FOR EQUIPMENT AND MATERIAL SPECIFICATIONS AND INSTALLATION AND CONSTRUCTION REQUIREMENTS.
4. INSULATE PLUMBING PIPES AND DUCTWORK WHERE INDICATED AND AS SPECIFIED.
5. SUPPORT ALL PLUMBING LINES AND DUCTWORK TO MEET CODE REQUIREMENTS & ESTABLISHED INDUSTRY TRADE PRACTICES, (SMACNA, ASHRAE).
6. INVESTIGATE SITE PRIOR TO CONSTRUCTION TO CONFIRM ALL DIMENSIONS AND INSTALLATION REQ'S.
7. PERFORM ALL CUTTING & PATCHING NECESSARY FOR ANY REQUIRED OPENINGS THRU WALLS, ROOF AND FLOOR.
8. PROVIDE TAB TO ENSURE AIR DISTRIBUTION TO VOLUMES INDICATED.
9. NOT ALL EQUIPMENT/PIPING, ETC. IS SHOWN.
10. PROVIDE FIRE STOPS AT ALL FIRE RATED WALLS/FLOOR OPENINGS TO MATCH EXISTING RATING.
11. ALL PROCESS DIW TO BE ACID RESISTANT, CPVC, SEE SPECIFICATIONS.
12. ALL DI WATER SUPPLY TUBING TO BE SCH. 80 CPVC, SEE SPECIFICATIONS.
13. CHECK SHOP DRAWINGS FOR ALL NEW LAB PLUMBING FIXTURES, TO CONFIRM NUMBER AND SIZE OF FITTINGS SUPPLIED, FIXTURE STOPS, BY LAB EQUIPMENT SUPPLIER AND CONNECTION SIZE FOR ALL SERVICES TO FIXTURES.
14. NOTE: WHERE ISOLATION VALVES ARE REQUESTED ON FIXTURE WATER SUPPLIES, THESE VALVES ARE OVER AND ABOVE ANY FIXTURE STOPS PROVIDED BY THE LAB EQUIPMENT SUPPLIER.

KEY NOTES

- 1 NEW 75# PROCESS DRAIN FROM NEW FLOOR DRAIN, C/W TRAP & TRAP PRIMER.
- 2 NEW 75# PROCESS DRAIN; SLOPE DN 1%; SUPPORT LINE WITH PIPE HANGERS FROM FLOOR ABOVE; PROVIDE IN LINE CLEANOUTS AT ALL CHANGES IN DIRECTION.
- 3 CONNECT NEW 75# PROCESS DRAIN TO EXISTING PROCESS DRAIN STACK.
- 4 3/8" DELUGE SHOWER/EYEWASH DRAIN, SLOPE DN 1%.
- 5 3/8" DISHWASHER DRAIN; SLOPE DN 1%.
- 6 3/8" WORK FUME HOOD DRAIN LINE; SLOPE DN 1%.
- 7 3/8" BENCH DRAIN LINE; SLOPE DN 1%.
- 8 CORE OPENING TO SUIT NEW PROCESS DRAIN OD.
- 9 NEW 1 3/8" PROCESS & DOMESTIC LINES TO WORK BENCH PIPE CHASE; LINES AS FOLLOWS:
-1 3/8" DCW
-1 3/8" DHW
-1 3/8" DI
-1 3/8" CA
-1 3/8" VACUUM
CORE NEW FLOOR OPENINGS, TO SUIT; PIPE PENETRATIONS TO MATCH FLOOR RATING; LINES TIGHT TO BLOCK WALL WITHIN NEW FURRING.
- 10 NEW 1 3/8" PROCESS & DOMESTIC LINES TO FUME HOOD; LINES AS FOLLOWS:
-1 3/8" DCW
-1 3/8" DHW
-1 3/8" DI
-1 3/8" CA
-1 3/8" VACUUM
CORE NEW FLOOR OPENINGS, TO SUIT; ALL LINES WILL BE C/W ISOLATION VALVES ABOVE FLOOR PIPE PENETRATIONS TO MATCH FLOOR RATING; LINES TIGHT TO BLOCK WALL WITHIN NEW FURRING.
- 11 3/2" DIW (DOMESTIC TEMPERED WATER) TO NEW LAB, THRU WALL FURRING; PIPE PENETRATION TO MATCH FLOOR FIRE RATING.
- 12 3/2" PROCESS DRAIN LINE FROM ES-1 COLUMN (EYEWASH DRAIN), NEW LAB ABOVE TO NEW LAB PROCESS DRAIN MAIN; SLOPE DN 1%.

ALLIANCE
Engineering Services Inc.

 Certificate of Authorization Alliance Engineering Services Inc. No. 2906 Date: _____	B.M. ELEV.	FIELD BOOK #:	 LM Architectural Group 500-136 Market Ave Winnipeg Manitoba Canada R3B 0P4 t: (204) 942.0681 f: (204) 943.8676 www.lm-architects.com	SEAL 	 THE CITY OF WINNIPEG WATER AND WASTE DEPARTMENT NORTH END WATER POLLUTION CONTROL CENTRE - LAB RENOVATIONS SHEET 1 OF 1 CITY DRAWING NUMBER 1-0101M-H0003-001-01
	POSTED TO LBIS			DESIGNED BY	
			DRAWN BY AS	APPROVED BY	
			HOR. SCALE VERTICAL	RELEASED FOR CONSTRUCTION	
			NO. REVISIONS	DATE	
					CONSULTANT DRAWING NO. M2.1