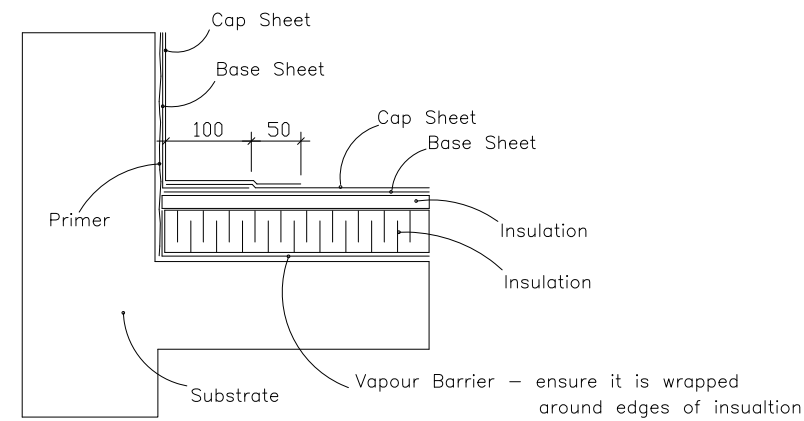
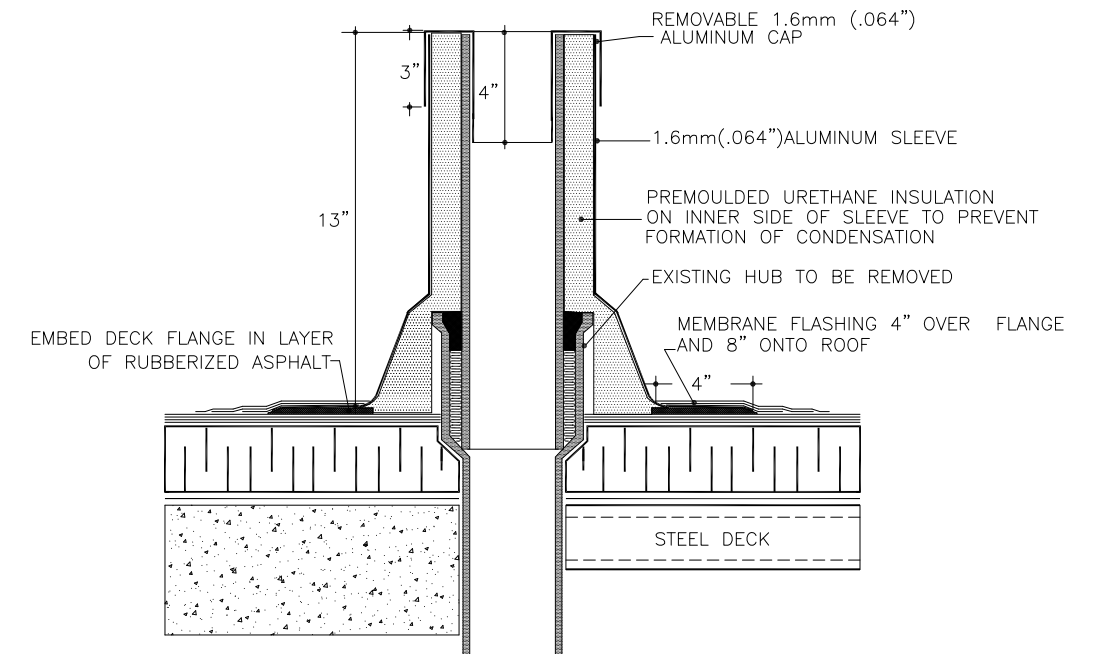


Typical Roof Edge Detail



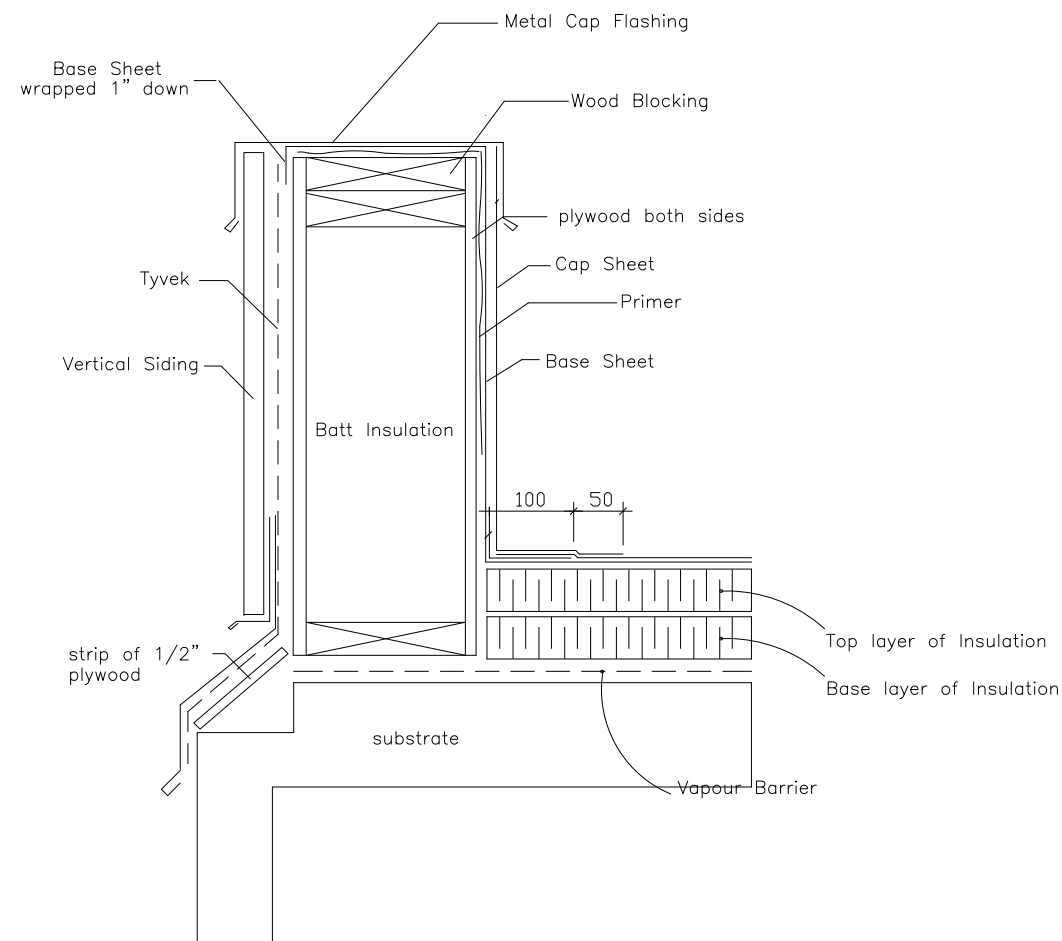
Note: Modified Bitumen stipping used in conjunction with 4 ply felt membrane is to have base sheet extend 12" onto flat and cap sheet 18" onto flat.

Plumbing Vent Flashing

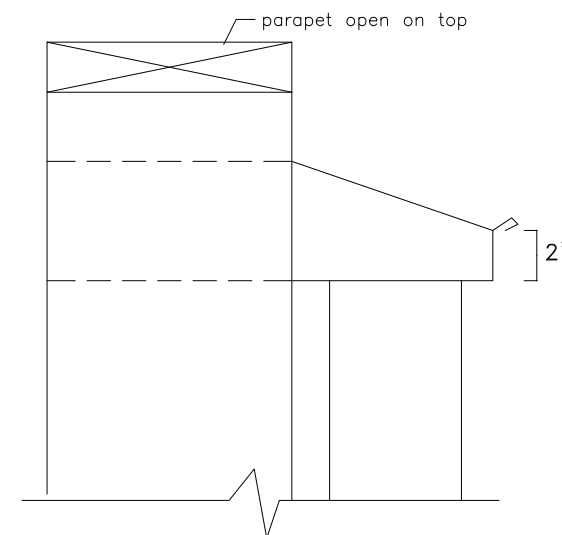


SJ-20 ALUMINUM STACK JACK (13") HIGH

Typical Parapet Construction



Typical Scupper



Notes:
Scupper shall be 4 sided through parapet
Scupper shall be minmum 8" wide x 6" high

AGASSIZ CONSULTING GROUP

809 Pipeline Road, Winnipeg, Manitoba
Phone: 697-8091 Fax: 697-8039

Project: Festival Du Voyageur
233 Provencher
Winnipeg, MB

Date: January 17, 2011

Drawing No. D-1

File no: 4295-11 Scale: N.T.S.