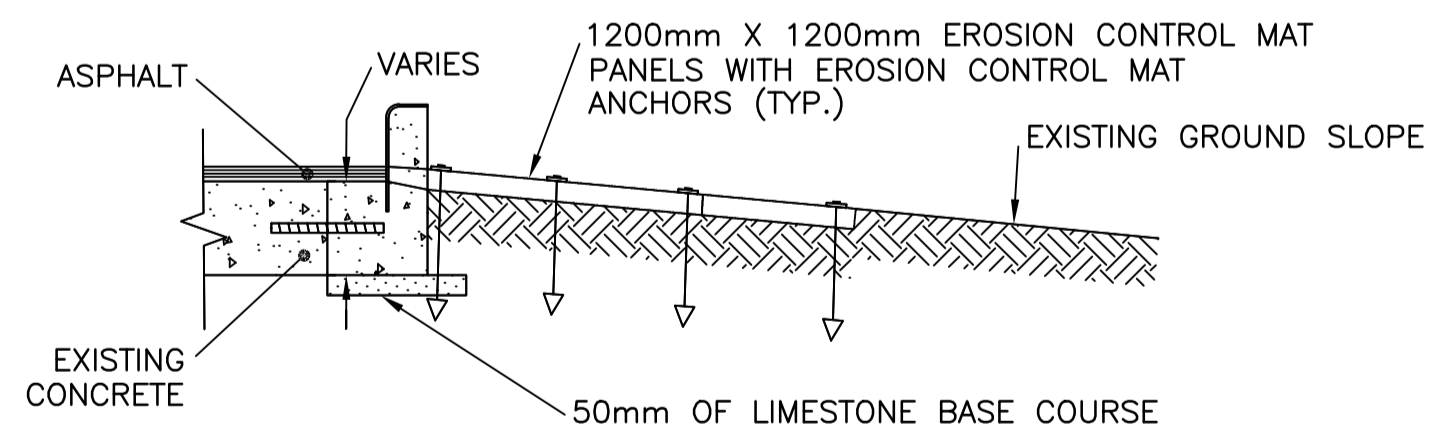
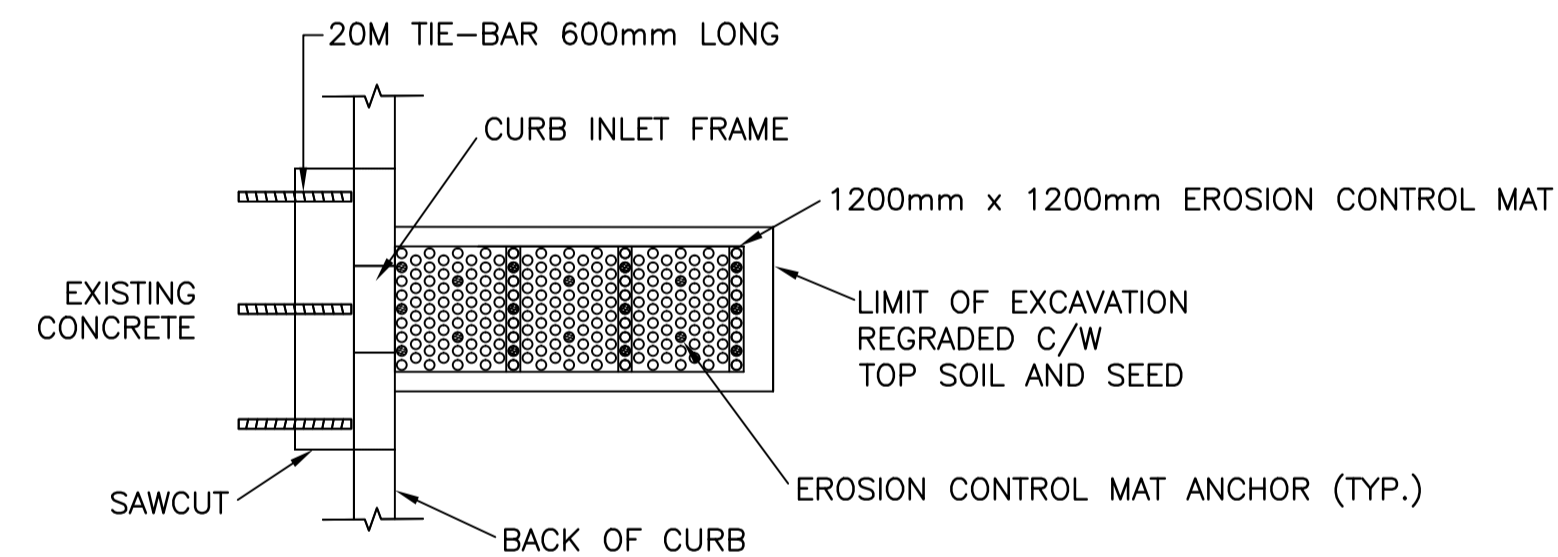


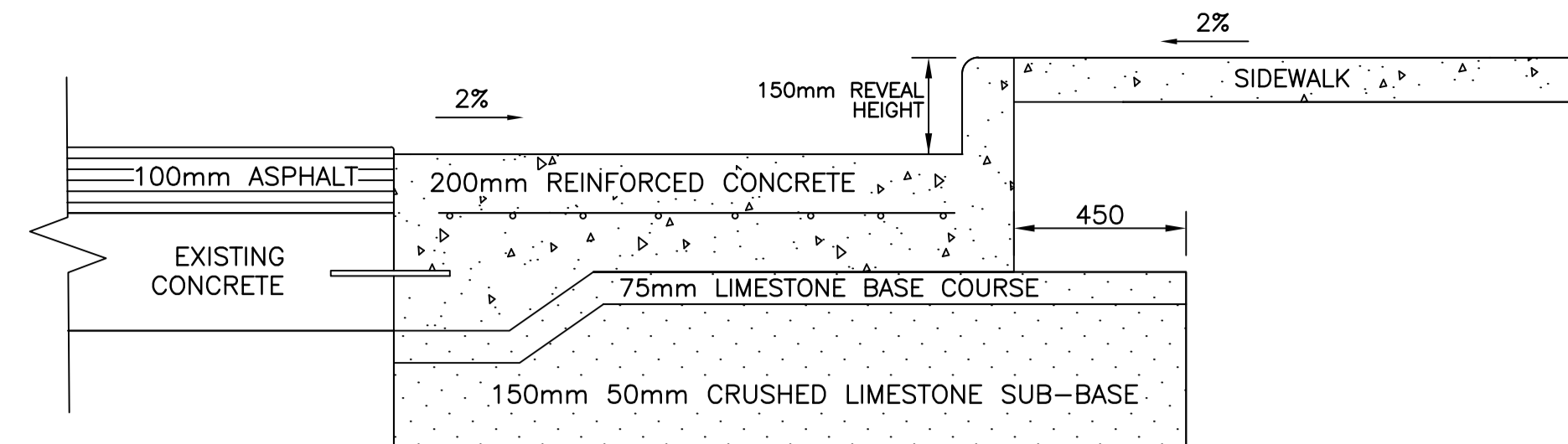
SECTION A - A

N.T.S.



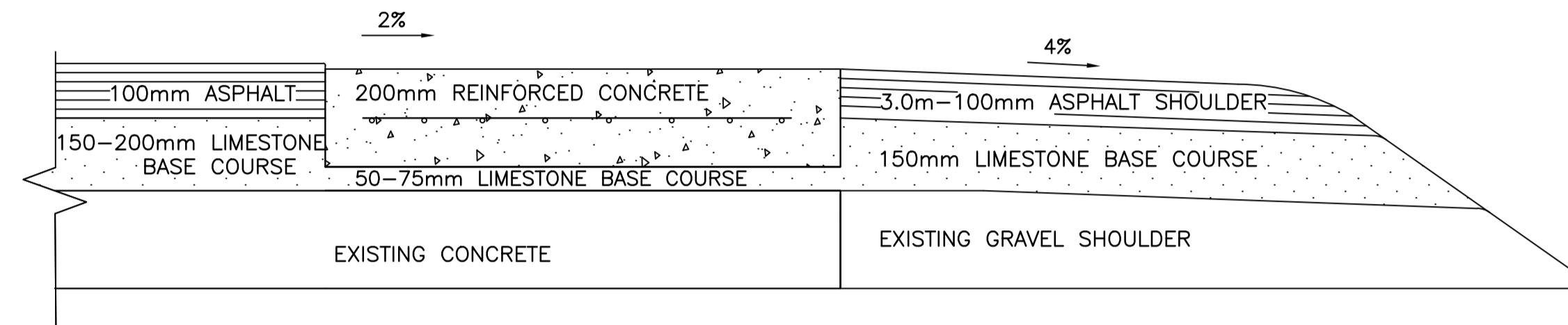
EROSION CONTROL MAT SPILLWAY CHANNEL DETAIL 'A'

N.T.S.

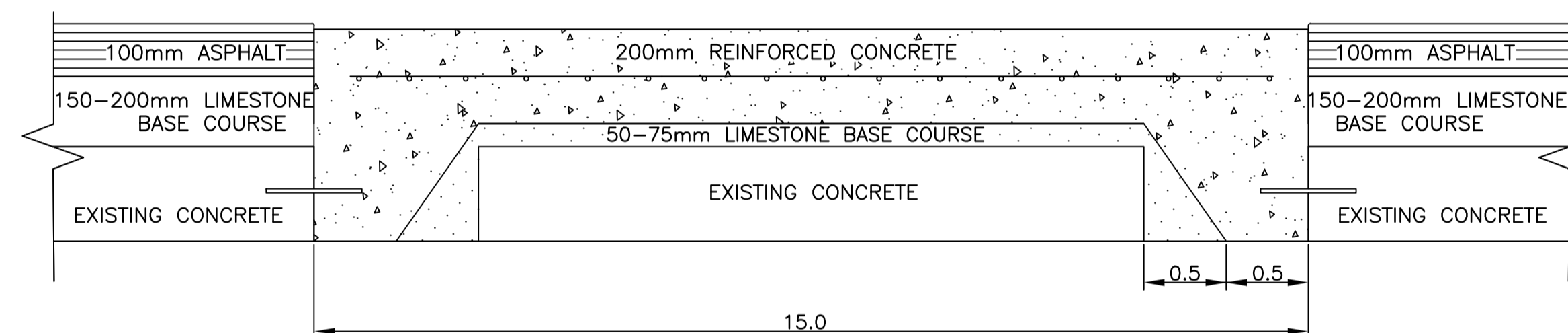


BUS PAD DETAIL 'B'

N.T.S.



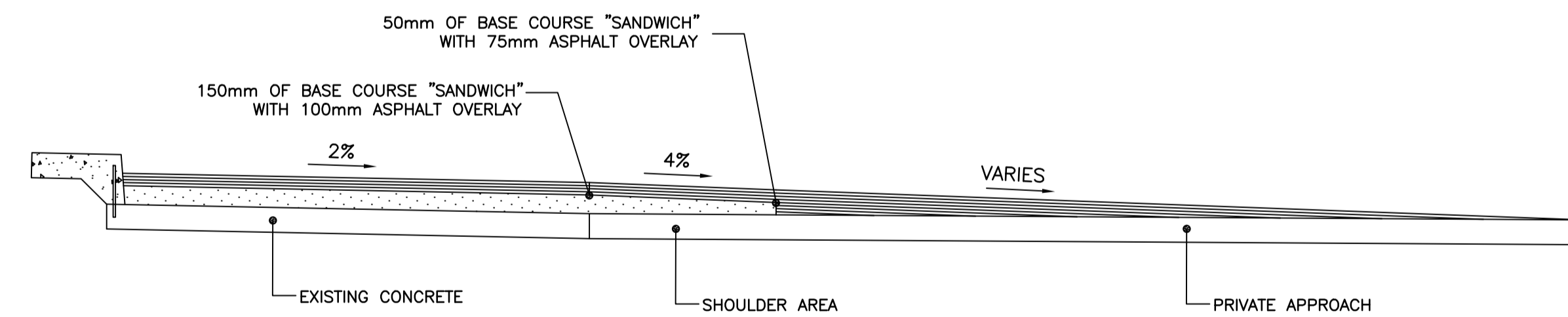
SECTION B - B N.T.S.



SECTION C - C N.T.S.

BUS PAD DETAIL 'C'

N.T.S.



PRIVATE APPROACH DETAIL 'D'

N.T.S.

METRIC
WHOLE NUMBERS INDICATE MILLIMETRES
DECIMALIZED NUMBERS INDICATE METRES

BID OPPORTUNITY NO. 3-2011

EXISTING	LEGEND - PLAN	PROPOSED	EXISTING	LEGEND - PLAN	PROPOSED	EXISTING	LEGEND - PROFILE	PROPOSED
—	GUARD RAIL	—	—	LDS/WWS	—	—	—	—
○	O.L.S.	●	—	WATERMAIN	—	—	—	—
○	MANHOLE	●	—	GAS	—	—	—	—
—	GUY WIRE	—	231.000	ELEVATIONS	231.000	—	—	—
—	CURB INLET	▲	—	PROPERTY LINE	—	—	—	—
☆	HYDRO POLE	⊕	—	SURVEY BAR	—	—	—	—
○	TRAFFIC SIGNAL POLE	●	—	GEODETIC BENCH MARK	—	—	—	—
—	DITCH FLOW	—	—	RAMP CURB	—	—	—	—
—	CONCRETE	—	—	TACTILE WARNING DEVICE	—	—	—	—
—	CURB RENEWAL	—	—	ASPHALT OVERLAY	—	—	—	—
—	MTS	—	—	PAVED SHOULDER (TYP)	—	—	—	—

LOCATION APPROVED UNDERGROUND STRUCTURES

SUPR. U/G STRUCTURES COMMITTEE DATE

NOTE:
LOCATION OF UNDERGROUND STRUCTURES AS SHOWN ARE BASED ON THE BEST INFORMATION AVAILABLE. BUT NO GUARANTEE IS GIVEN THAT ALL EXISTING UTILITIES ARE SHOWN OR THAT THE GIVEN LOCATIONS ARE EXACT. CONFIRMATION OF EXISTENCE AND EXACT LOCATION OF ALL SERVICES MUST BE OBTAINED FROM THE INDIVIDUAL UTILITIES BEFORE PROCEEDING WITH CONSTRUCTION.

B.M. ELEV.	GBM 32-015	232.278
NO.	REVISIONS	DATE BY
2	SUBMIT FOR ENGINEERS REVIEW	3/10/11 BT
1	SUBMIT FOR PLAN APPROVAL	2/7/11 BT

ENGINEERING DIVISION TECHNOLOGY SERVICES BRANCH 106 - 1155 PACIFIC AVE			
DESIGNED BY	A.P./B.T.	CHECKED BY	G.C.
DRAWN BY	B.T.	APPROVED BY	B.K.
HOR. SCALE: 1 : 500		VERTICAL: 1 : 10	
DATE		2011/03/18	

ENGINEER'S SEAL

PROVINCE OF MANITOBA
B.S. KIBBINS
Member 24334
REGISTERED PROFESSIONAL ENGINEER

ORIGINAL SIGNED BY
B.S.K. MARCH 18/11

THE CITY OF WINNIPEG
PUBLIC WORKS DEPARTMENT

DUGALD ROAD WESTBOUND
FROM PLESSIS ROAD TO MAZENOD ROAD
ASPHALT RESURFACING AND ASSOCIATED WORKS
MISCELLANEOUS DETAILS

CITY DRAWING NUMBER SE-11-11
SHEET 7 OF 7

7