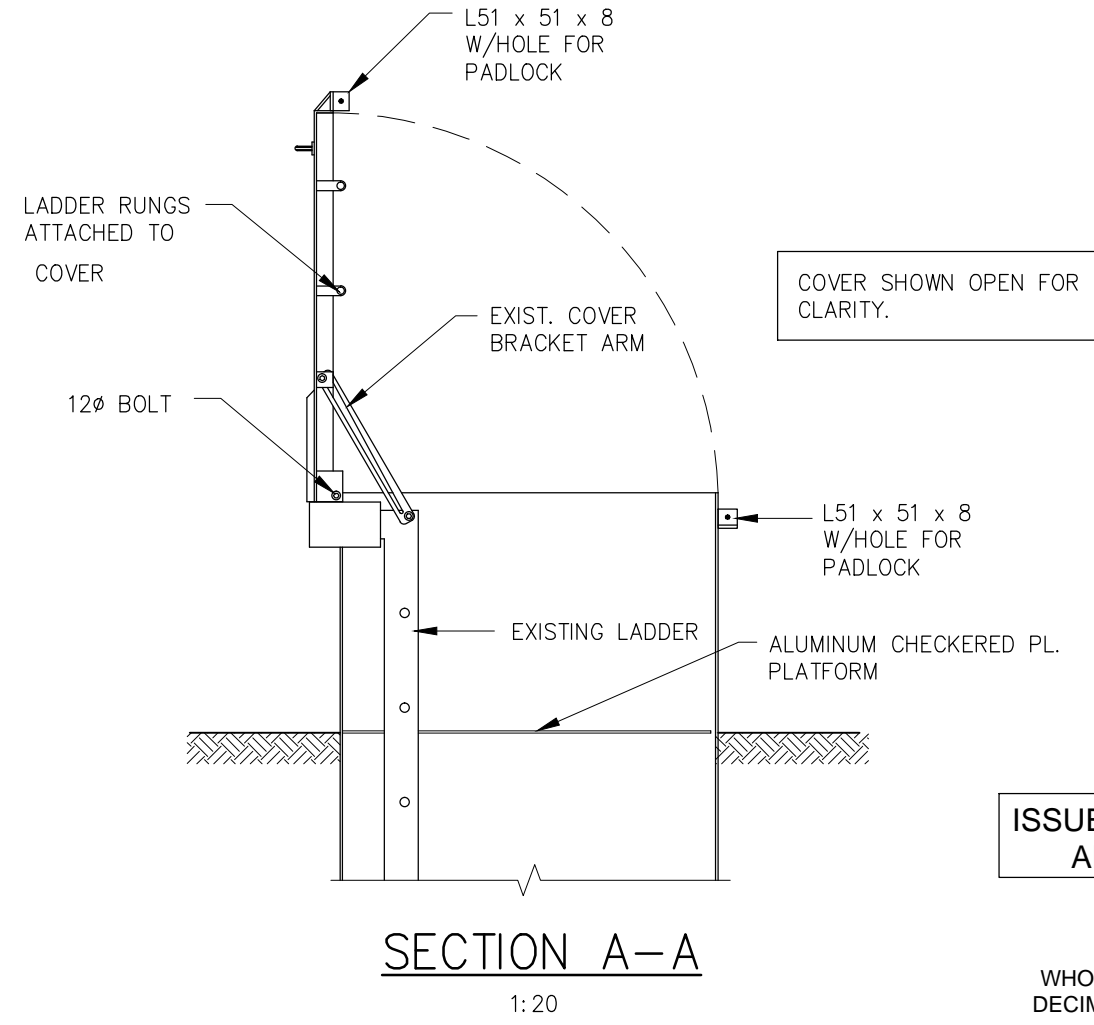
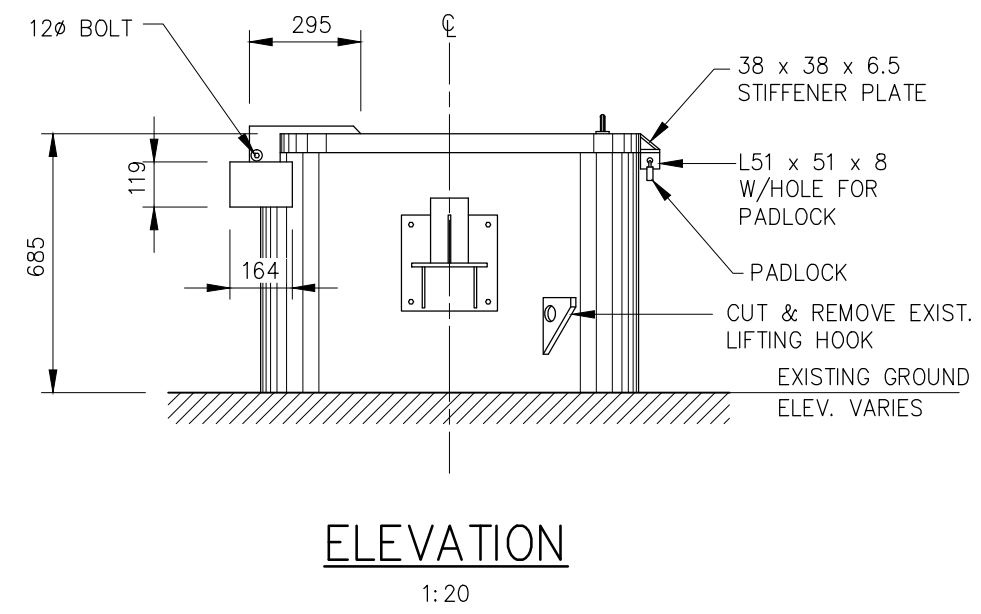
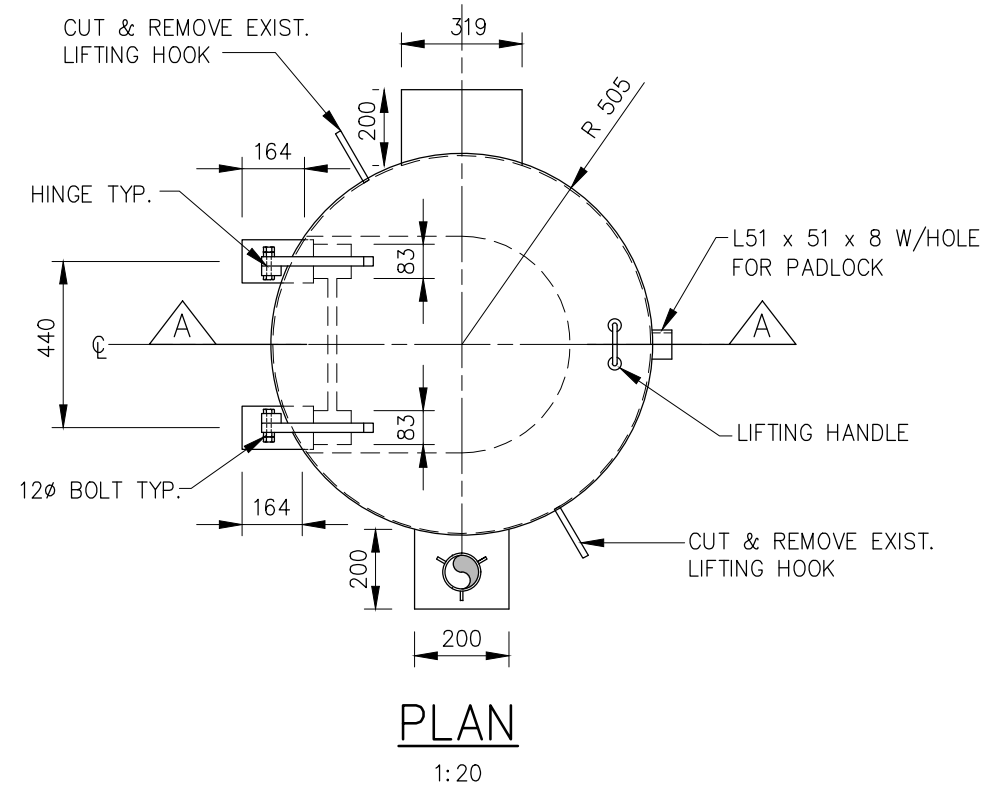


Apr 12, 2011 - 1:10pm  
P:\5510100-5510199\5510112-000 Kildonan Park Lift Station Manhole Repairs\MMM Drawings\5510112\_04.12.11.dwg - tab: LD-5636



- SCOPE OF WORKS:**
1. REPAIR DAMAGED LIFT STATION COVER, DAMAGED WELDS AND REPLACE HINGE BOLTS.
  2. REPLACE INTERIOR CHECKERED PLATE STANDING PLATFORM IF DAMAGED.
  3. CUT AND REMOVE TWO (2) EXISTING LIFTING HOOKS
  4. SANDBLAST AND REPAINT COVER AND EXPOSED EXTERIOR OF LIFT STATION.
  5. REPLACE DAMAGED PRECAST CONCRETE MANHOLE ADJUSTING RING IN ACCORDANCE WITH SECTIONS 3.8 AND 3.9 OF CW 2130.
  6. RESTORE LANDSCAPE TO ORIGINAL CONDITION.

COVER SHOWN OPEN FOR CLARITY.

ISSUED FOR PRICING  
APRIL 12, 2011

**METRIC**  
WHOLE NUMBERS INDICATE MILLIMETRES  
DECIMALIZED NUMBERS INDICATE METRES

**NOTE:**  
These design documents are prepared solely for the use by the party with whom the design professional has entered into a contract and there are no representations of any kind made by the design professional to any party with whom the design professional has not entered into a contract.

| NO. | REVISIONS | DATE | BY |
|-----|-----------|------|----|
|     |           |      |    |
|     |           |      |    |
|     |           |      |    |

|  |            |                           |     |
|--|------------|---------------------------|-----|
| <p>MMM Group Limited<br/>Suite 111 - 93 Lombard Ave.<br/>Winnipeg, MB R3B 3B1<br/>t. 204.943.3178<br/>f. 204.943.4948<br/>www.mmm.ca</p> |            |                           |     |
| DESIGNED BY  | EH         | CHECKED BY                | JPL |
| DRAWN BY   | RCS        | APPROVED BY               | JPL |
| SCALE:   | AS SHOWN   | RELEASED FOR CONSTRUCTION | -   |
| DATE:  | 04.12.2011 | DATE                      | -   |

PROVINCE OF MANITOBA  
APRIL 12, 2011  
E. HO  
Member  
22317  
REGISTERED PROFESSIONAL ENGINEER  
CONSULTANT ACAD DWG. NO.  
5510112\_S02

THE CITY OF WINNIPEG  
WATER AND WASTE DEPARTMENT

**KILDONAN PARK  
LIFT STATION AND MANHOLE  
REPAIRS**

**LD-5636**

SHEET 2 OF 2