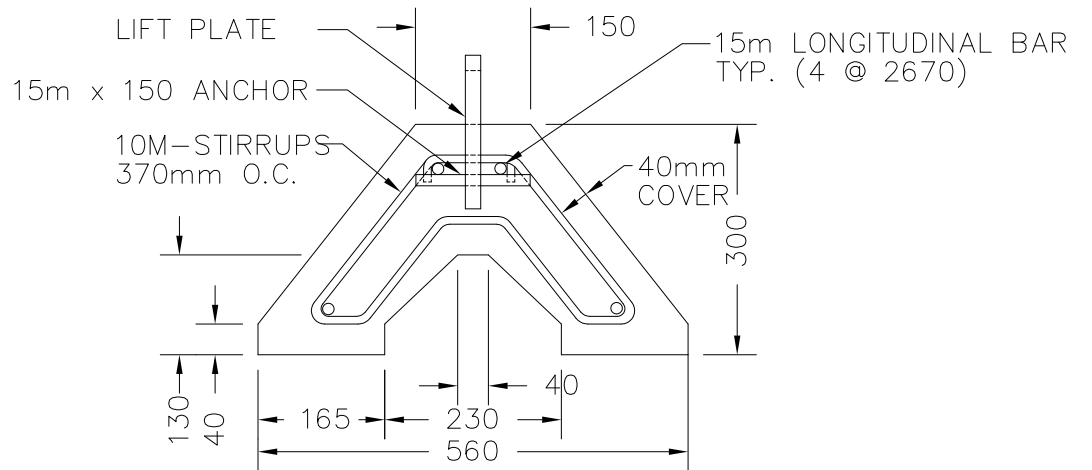


LIFT PLATE DETAILS

SCALE = 1:5



CROSS - SECTION

SCALE = 1:10

N O T E S:

- 2 -15m x 150 BARS TO BE INSERTED THRU 19 ϕ HOLES & TACK WELDED.
- COMPLETE ASSEMBLY IS TO BE INSTALLED SO THAT 15m x 150 BARS ARE INSIDE THE MAIN REBAR CAGE.

		CONCRETE BARRICADES		SCALE: AS SHOWN
				DRAWING No. 2 of 2 TCD 11
DRAWN BY A.R.	DATE 92/03/20	DESIGN	DATE	APPROVED BY:
PRELIM CHK t.w.h.	CHECK			DATE
				CAD FILE. TSERVICE\TCD11