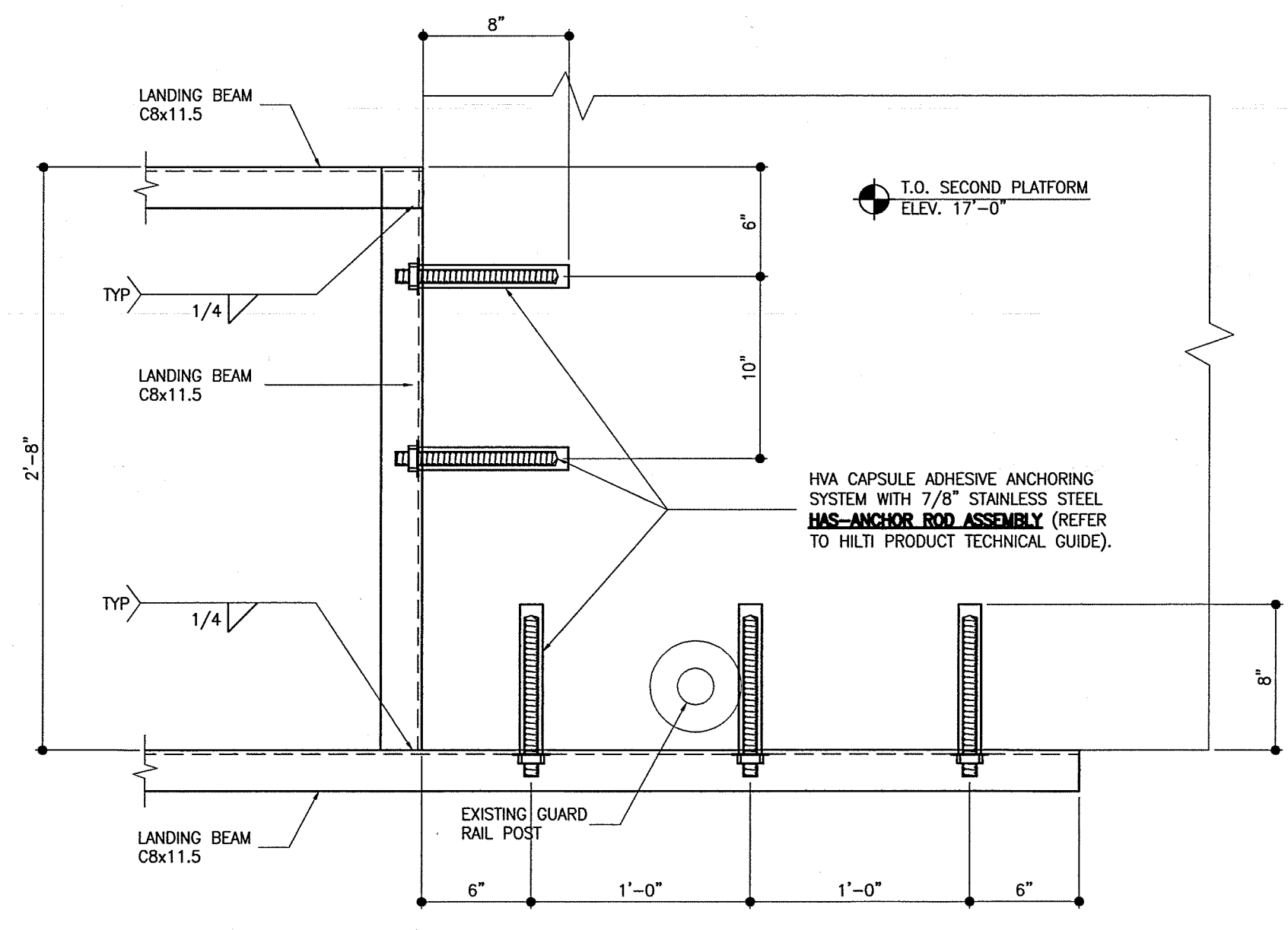
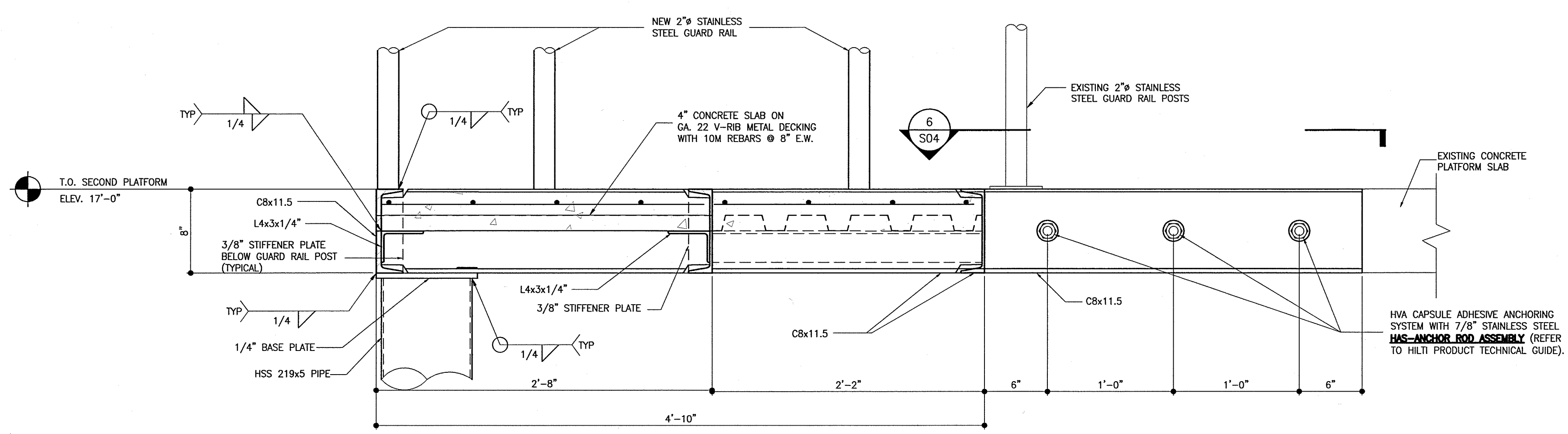


4 SECTION AT SECOND PLATFORM LEVEL
S04 1 1/2" = 1'-0"



6 SECOND PLATFORM LEVEL CONNECTION DETAIL TO EXISTING CONCRETE SLAB
S04 1 1/2" = 1'-0"



3 SECTION AT SECOND PLATFORM LEVEL
S04 1 1/2" = 1'-0"

APEGM
Certificate of Authorization
Accutech Engineering Inc.
No. 1660 Date: 8/3/11

7				
6				
5				
4				
3				
2				
1	ISSUED FOR TENDER	QBG	KRD	APR 08 2011
0	ISSUED FOR CLIENT REVIEW	QBG	KRD	MAR 30 2011
REV	DESCRIPTION	DWN	APP	REV DATE

Accutech Engineering Inc.
Tomorrow's Technology Today
605-287 Broadway, Winnipeg, Manitoba Canada R3C 0R9
Phone 204.944.1555 Fax 204.944.1444
www.accutecheng.ca

PROVINCE OF MANITOBA
APR 11
K.R. DRYSDALE
REGISTERED ENGINEER

CITY OF WINNIPEG
SEVEN OAKS POOL DIVING TOWER

SHEET TITLE
NEW STAIRS DETAILS AND SECTIONS

DRAWN BY QBG	CHECKED BY ATD	DATE APR 08 2011	SHEET NO S04
DESIGNED BY ATD	CHECKED BY KRD	SCALE AS NOTED	REVISION NO 1