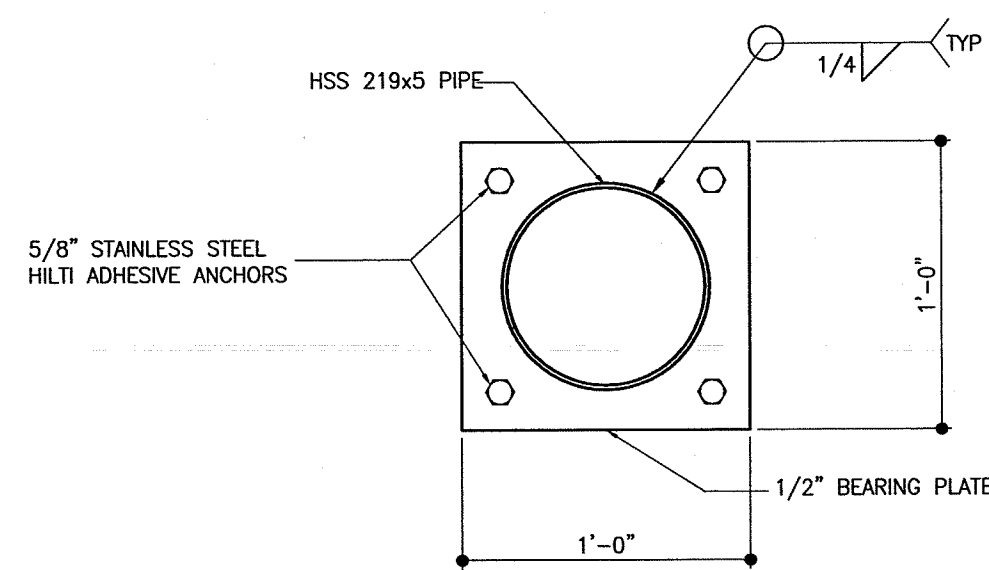
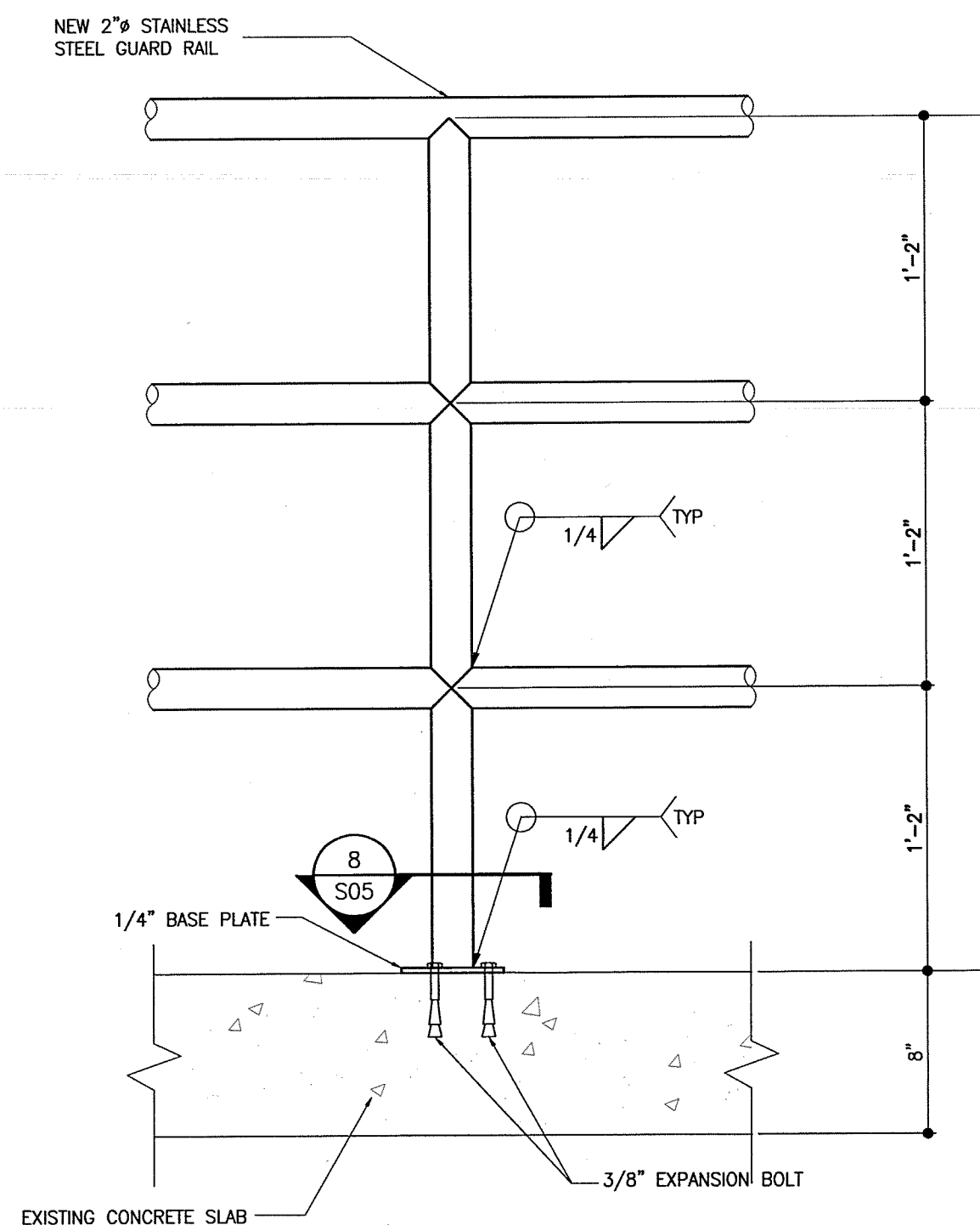


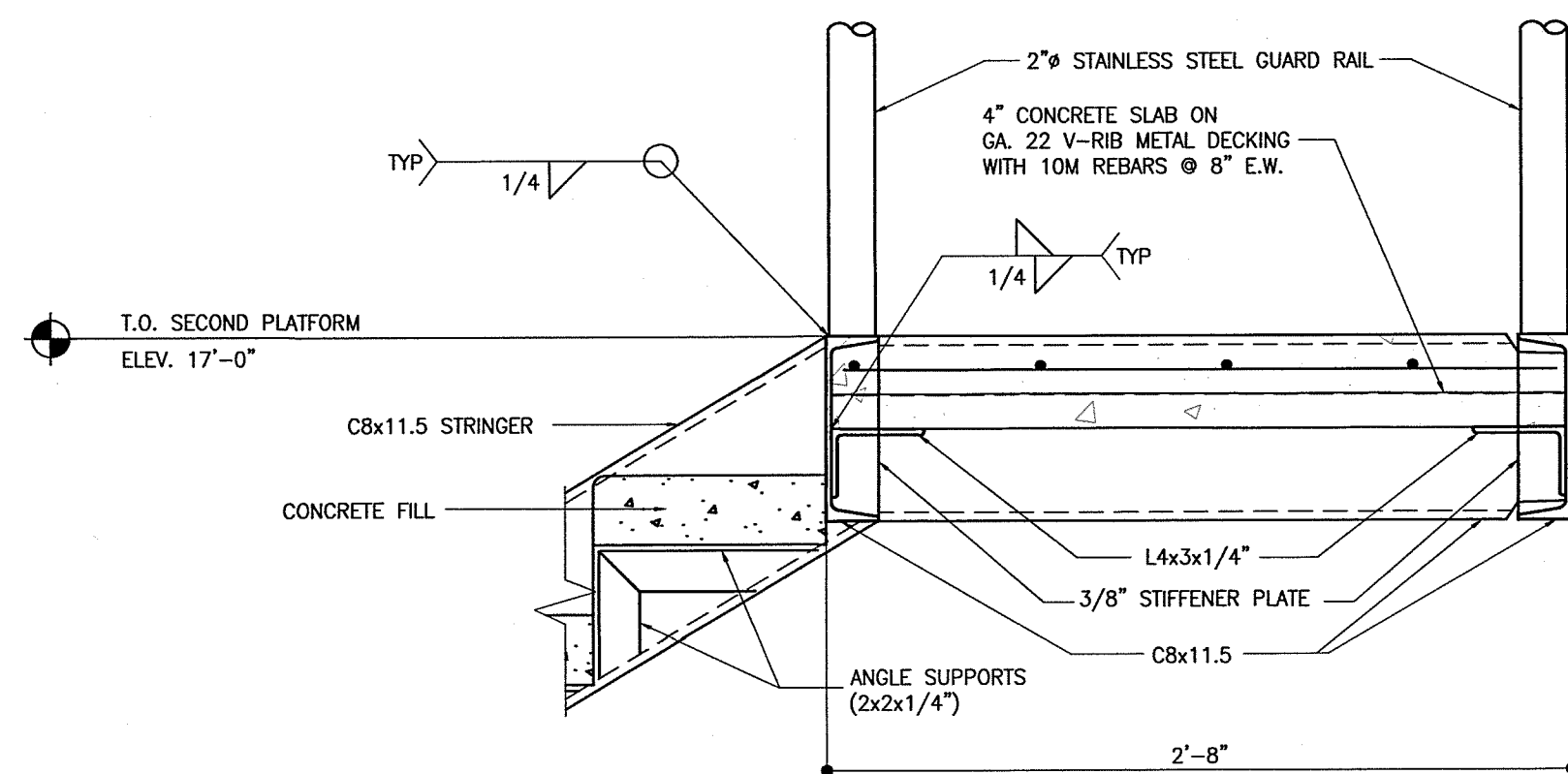
H STEEL POST DETAIL
S05 1 1/2" = 1'-0"



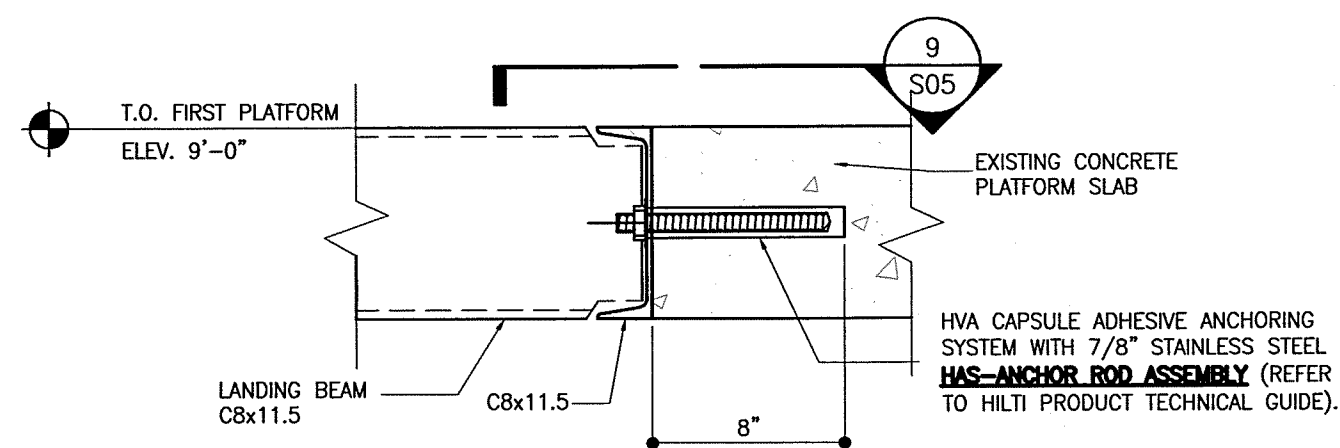
7 PLAN
S05 1 1/2" = 1'-0"



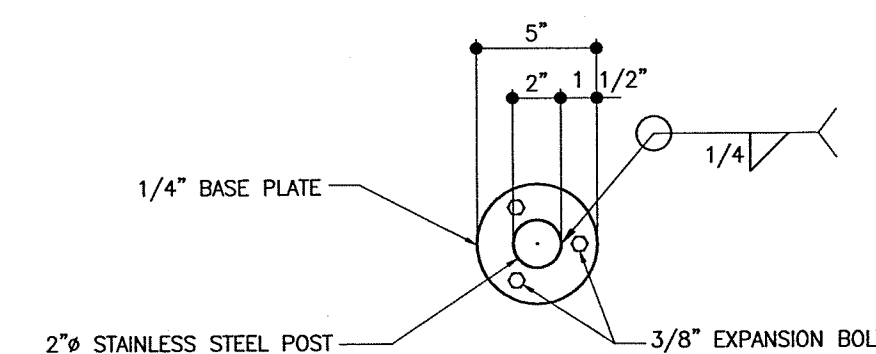
K NEW GUARD RAIL
TYPICAL POST ELEVATION
S05 1 1/2" = 1'-0"



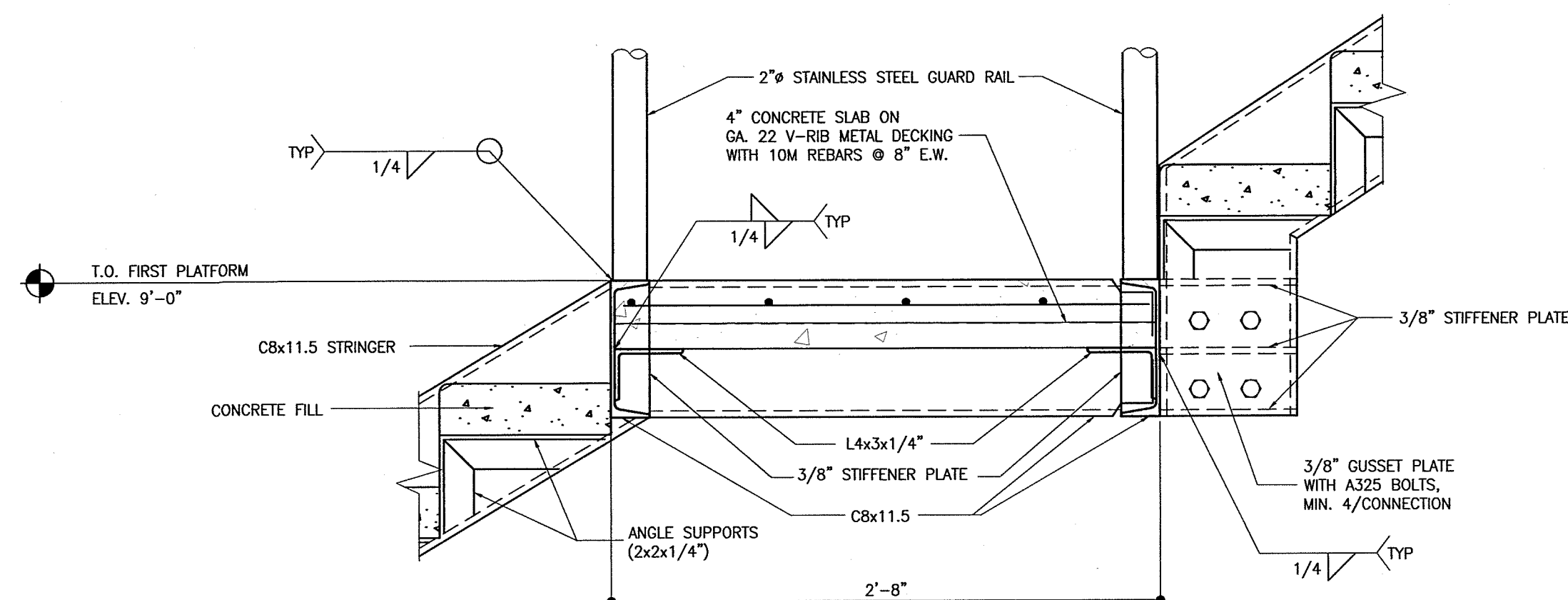
G SECOND PLATFORM STAIR
LANDING SECTION
S05 1 1/2" = 1'-0"



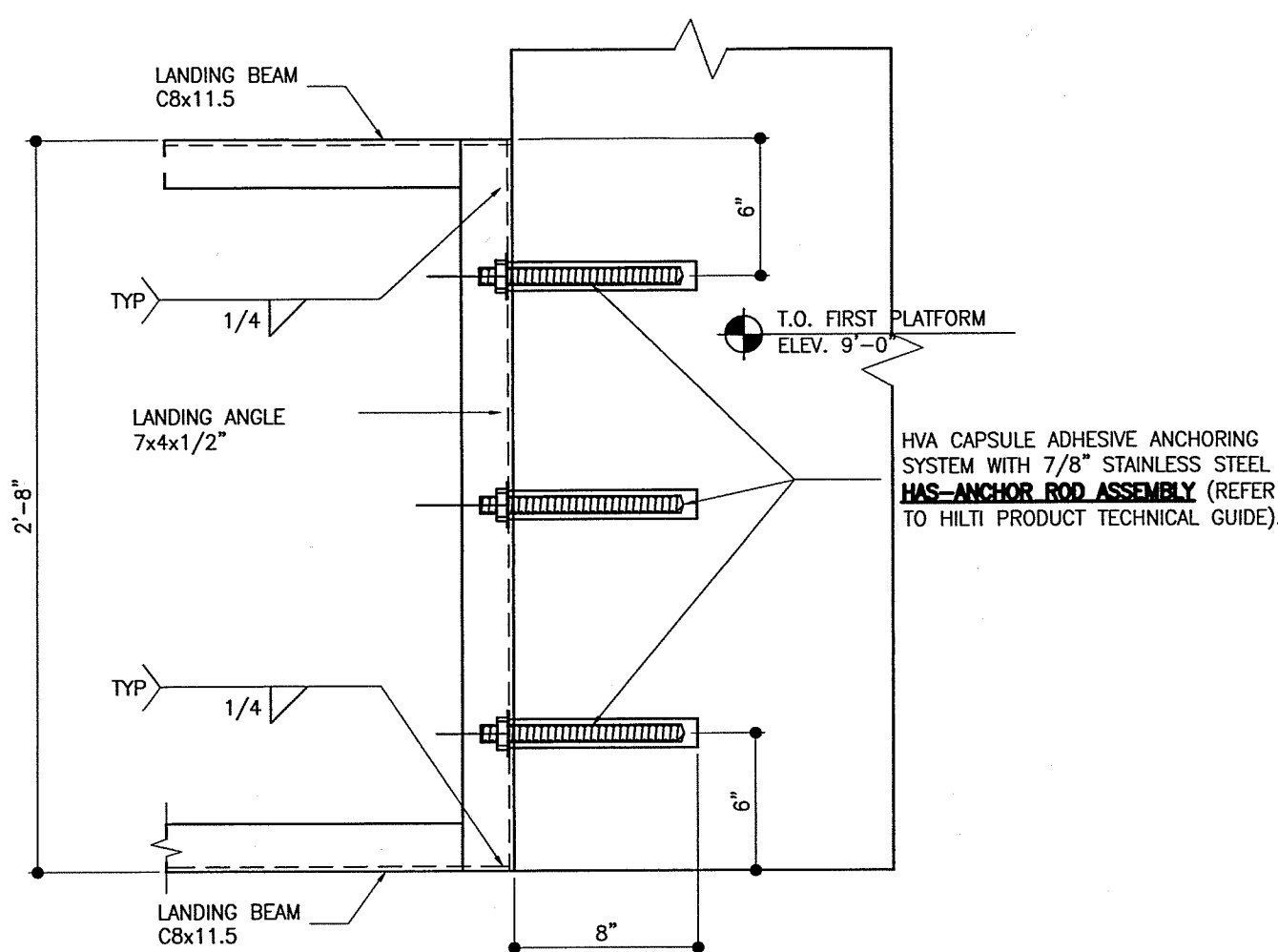
J SECTION CONNECTION DETAIL
AT FIRST PLATFORM LEVEL
S05 1 1/2" = 1'-0"



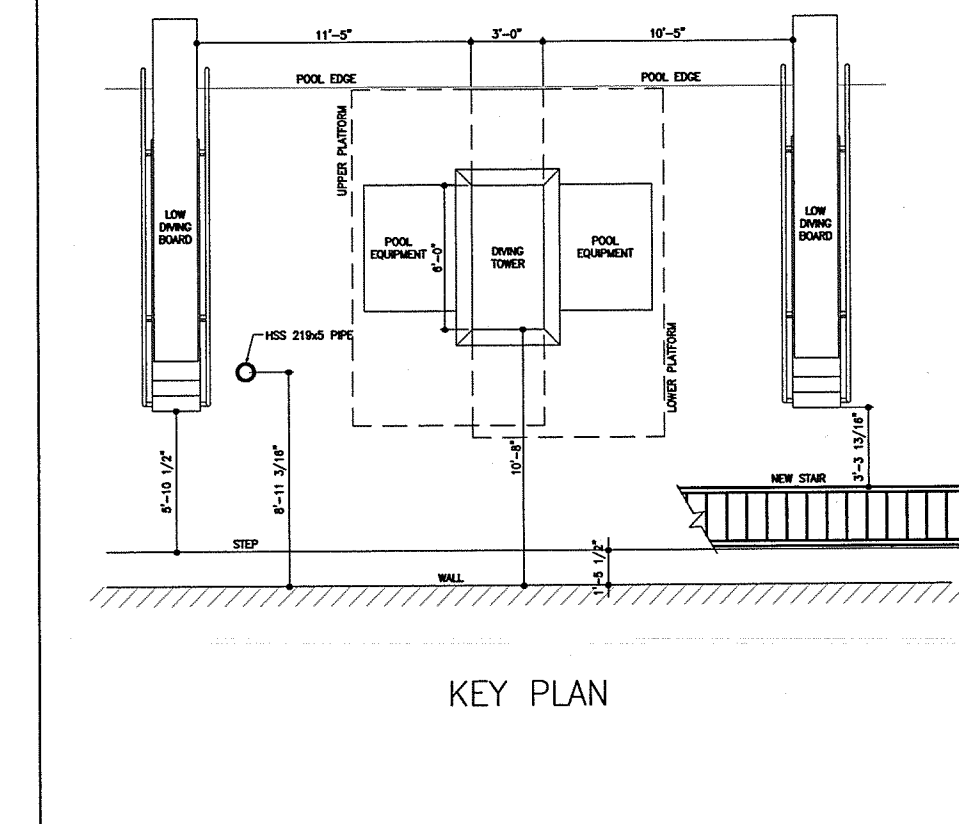
8 GUARD RAIL POST SLAB
TYPICAL CONNECTION
S05 1 1/2" = 1'-0"



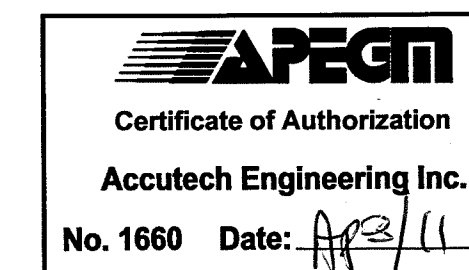
F FIRST PLATFORM STAIR
LANDING SECTION
S05 1 1/2" = 1'-0"



9 FIRST PLATFORM LEVEL CONNECTION
DETAIL TO EXISTING CONCRETE SLAB
S05 1 1/2" = 1'-0"



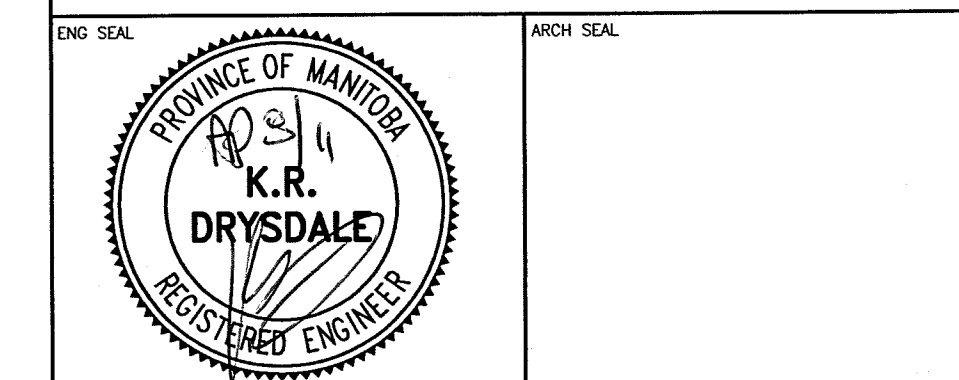
KEY PLAN



7				
6				
5				
4				
3				
2				
1	ISSUED FOR TENDER	QBG	KRD	APR 08 2011
0	ISSUED FOR CLIENT REVIEW	QBG	KRD	MAR 30 2011
REV	DESCRIPTION	DWN	APP	REV DATE

Accutech Engineering Inc.
Tomorrow's Technology Today

605-287 Broadway, Winnipeg, Manitoba Canada R3C 0R9
Phone 204.944.1555 Fax 204.944.1444
www.accutech.ca



CITY OF WINNIPEG
SEVEN OAKS POOL DIVING TOWER

SHEET TITLE
NEW STAIRS DETAILS AND SECTIONS

DRAWN BY	CHECKED BY	DATE	SHEET NO.
QBG	ATD	APR 08 2011	S05
DESIGNED BY	CHECKED BY	SCALE	REVISION NO.
ATD	KRD	AS NOTED	1