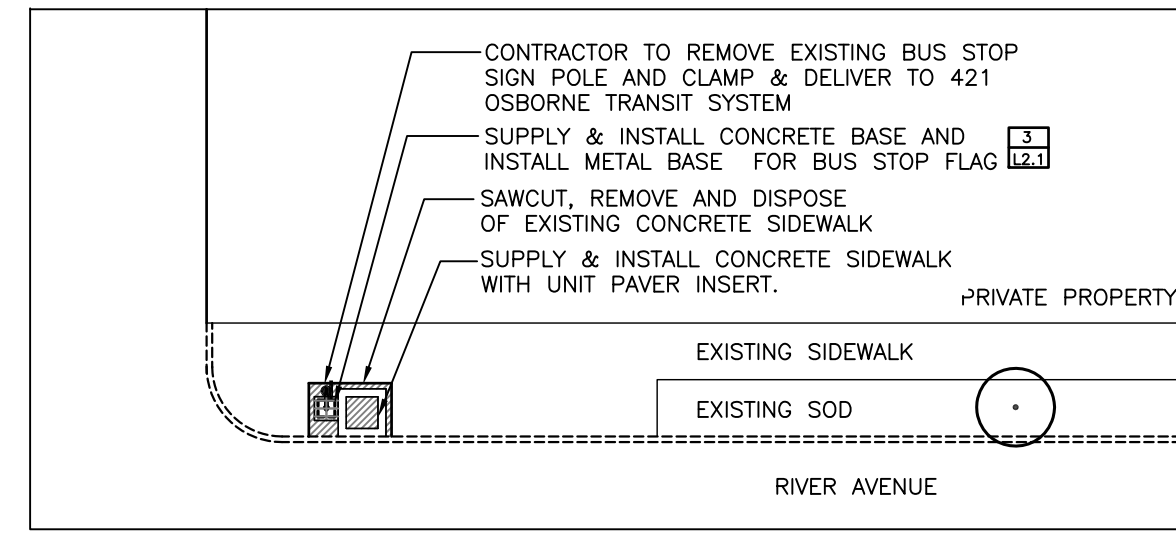
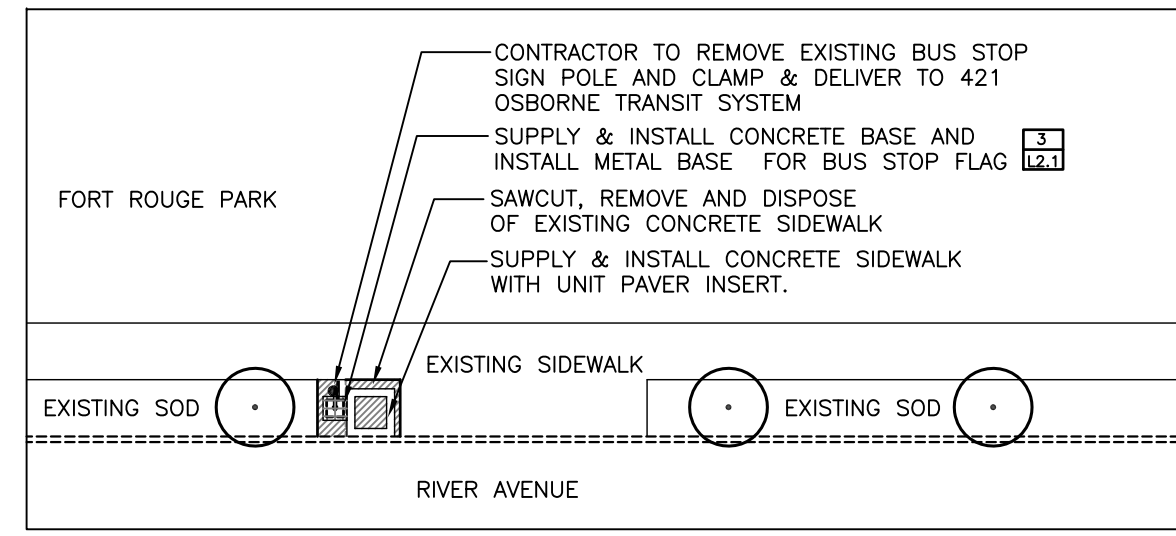


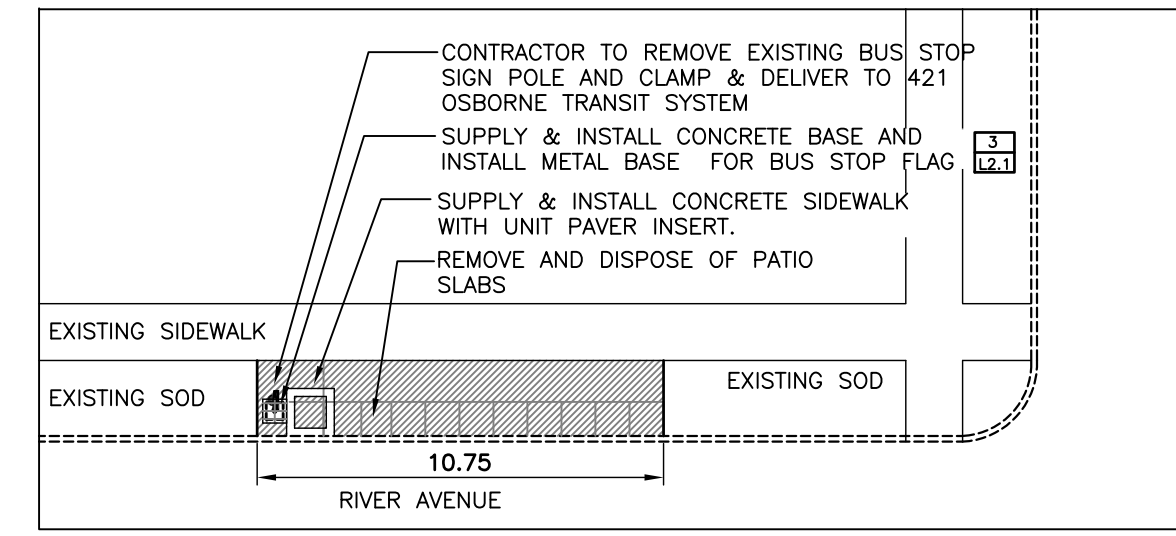
Westbound River, N/S Donald  
Stop 10164 Donald



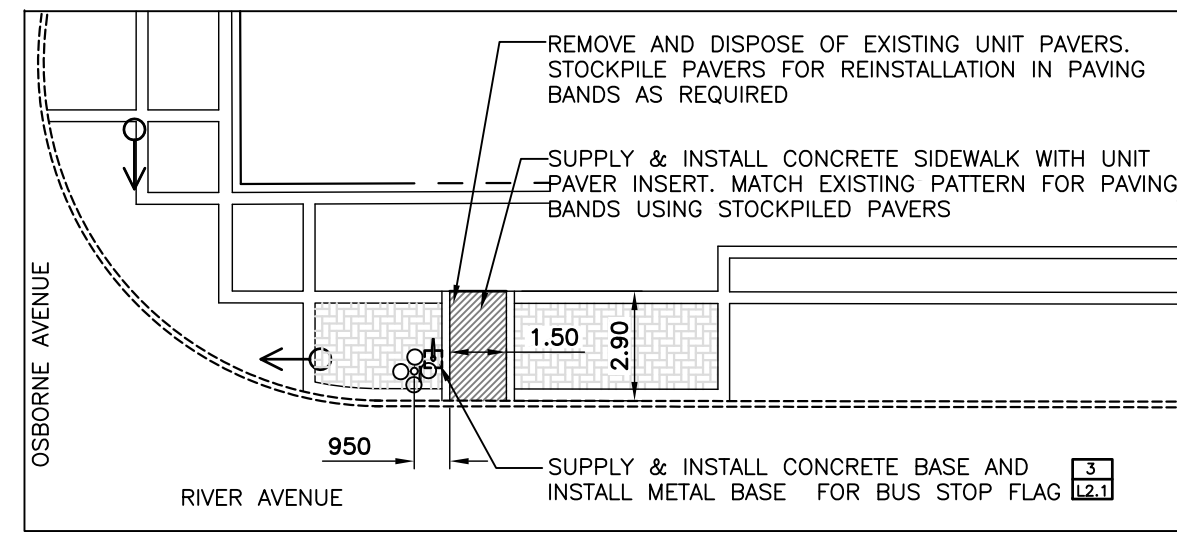
Westbound River, N/S Clarke  
Stop 10167 Clarke



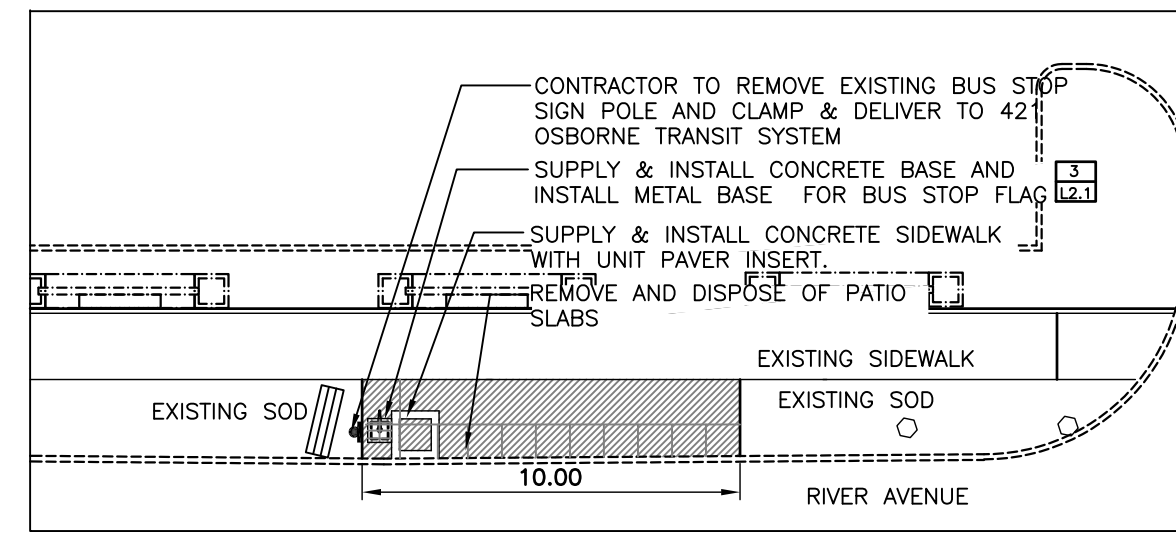
Westbound River, N/S Cauchon  
Stop 10168 Cauchon



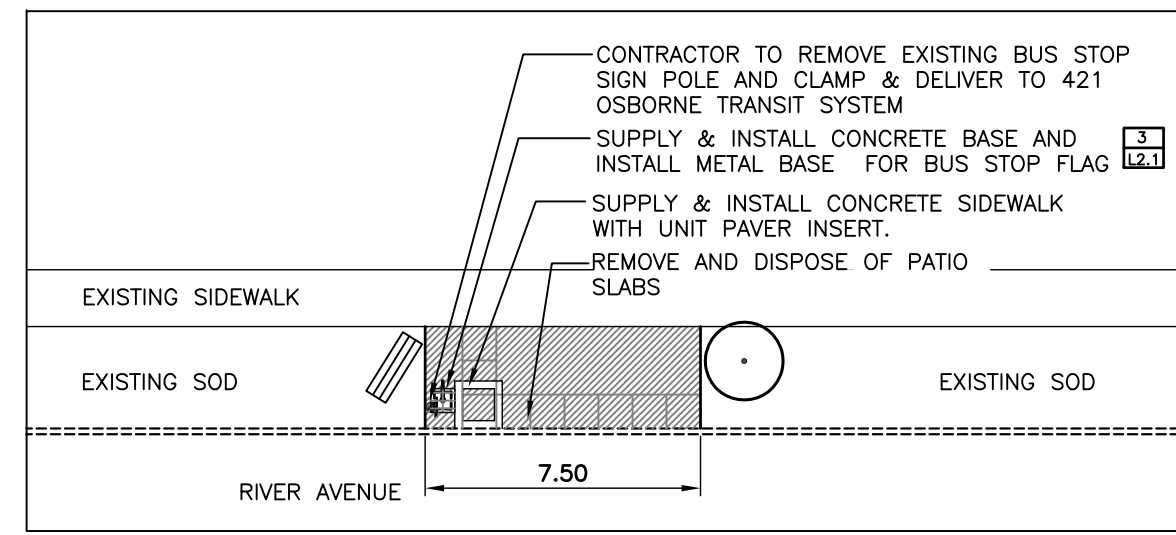
Westbound River, F/S Bryce  
Stop 10169 Bryce



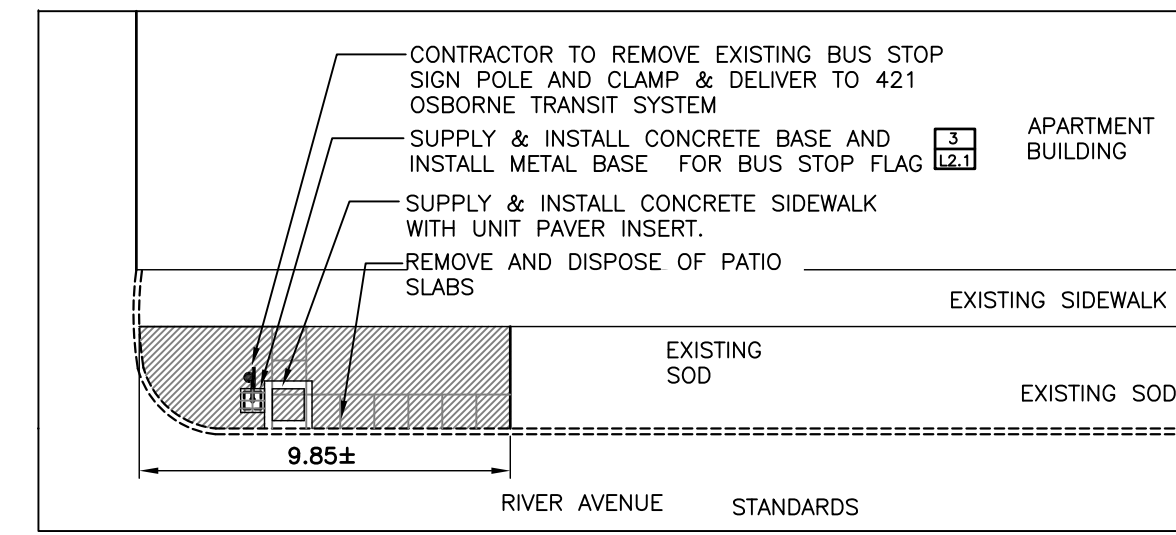
Westbound River, N/S Osborne  
Stop 10170 Osborne



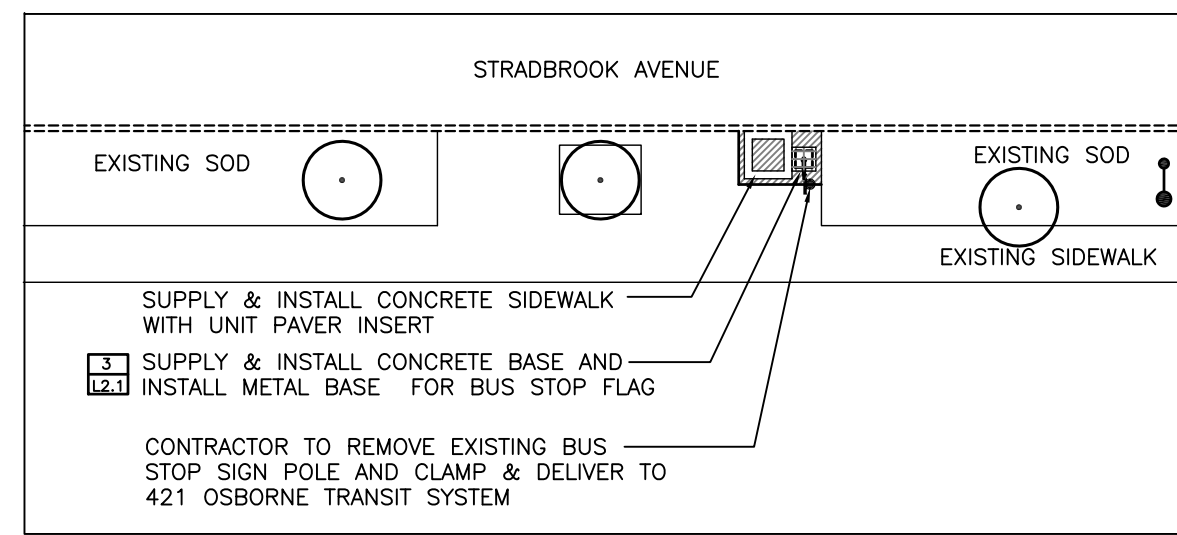
Westbound River, F/S Gerard  
Stop 10173 Gerard



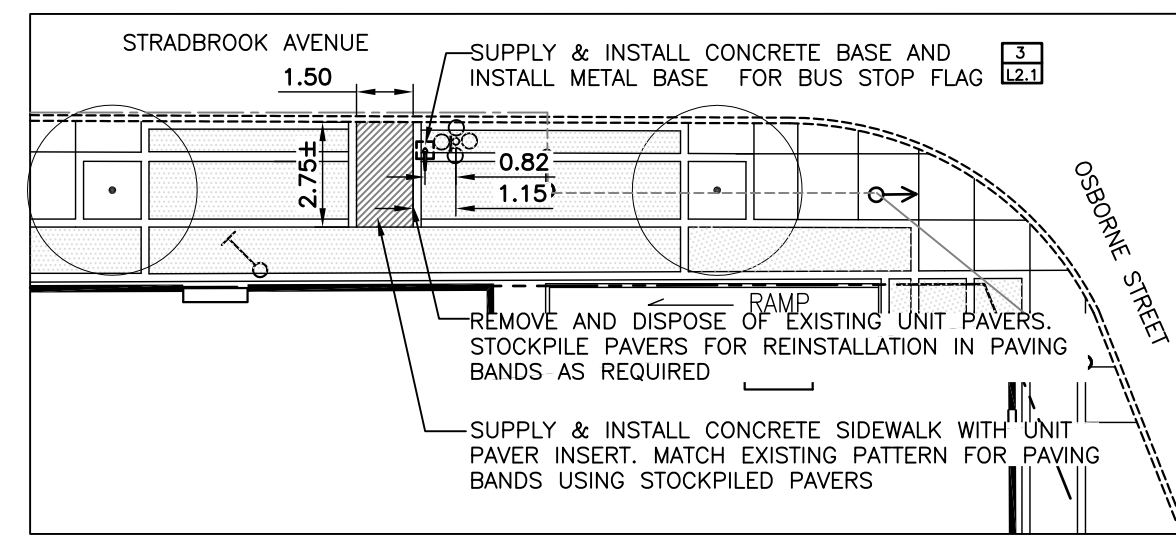
Westbound River, F/S Nassau  
Stop 10174 Nassau



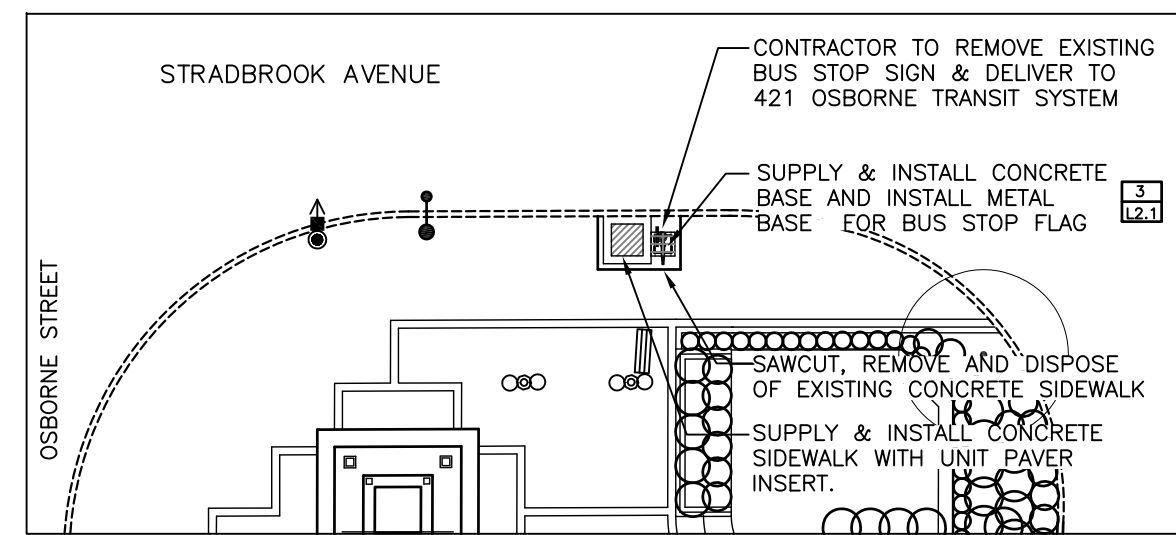
Westbound River, N/S Wellington  
Stop 10175 Wellington



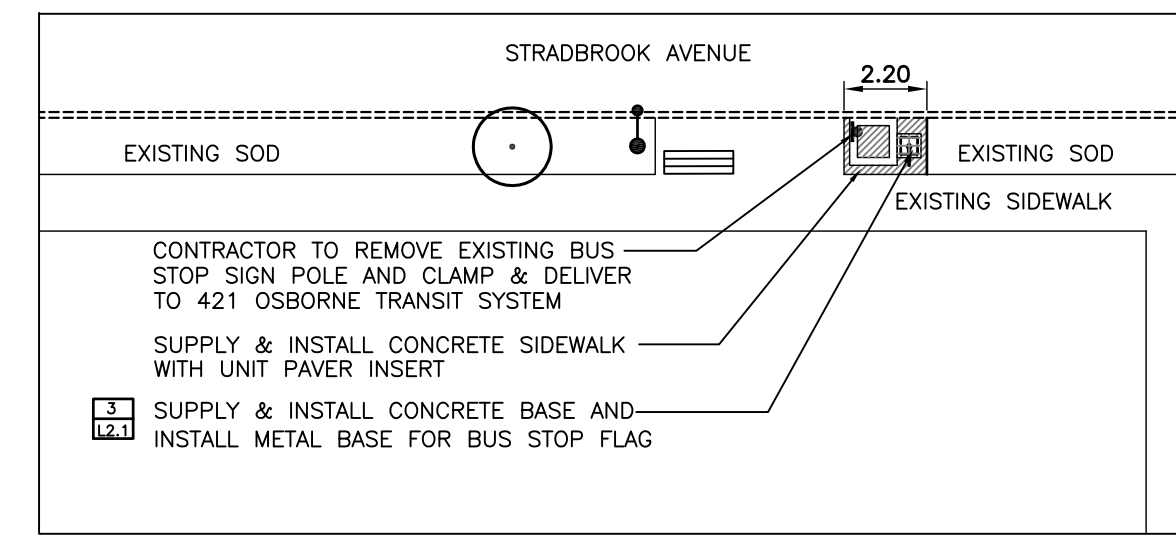
Eastbound Stradbrook, N/S Nassau  
Stop 10184 Nassau



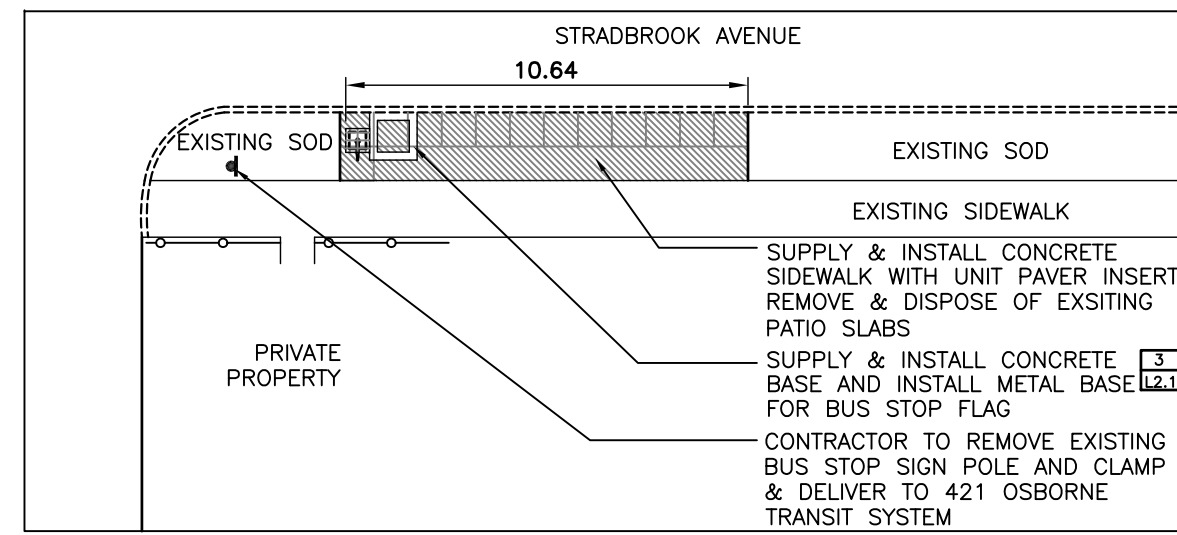
Eastbound Stradbrook N/S Osborne  
Stop 10816 Osborne



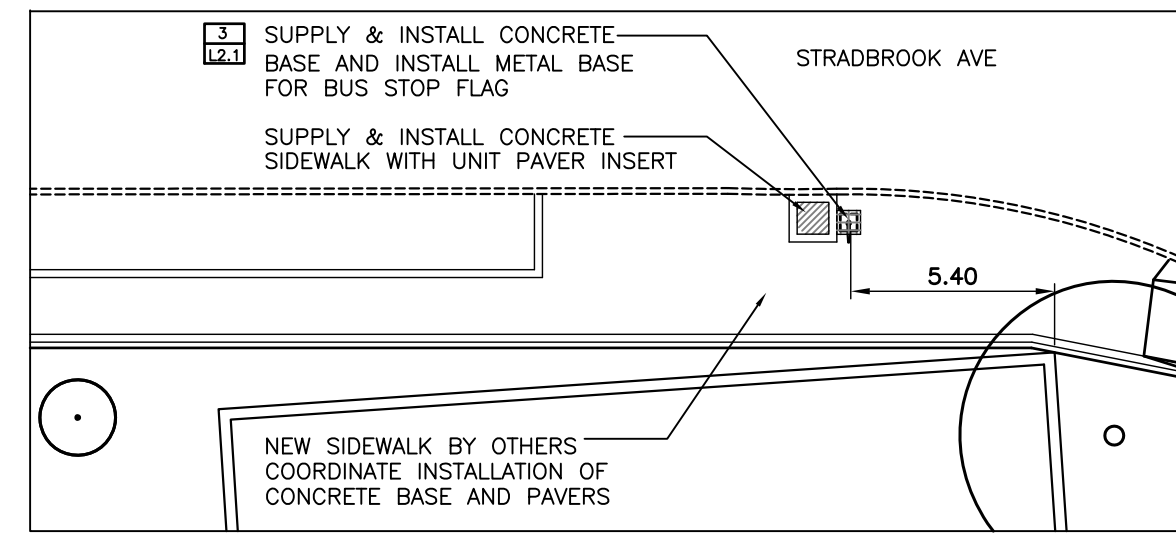
Eastbound Stradbrook F/S Osborne  
Stop 10187 Osborne



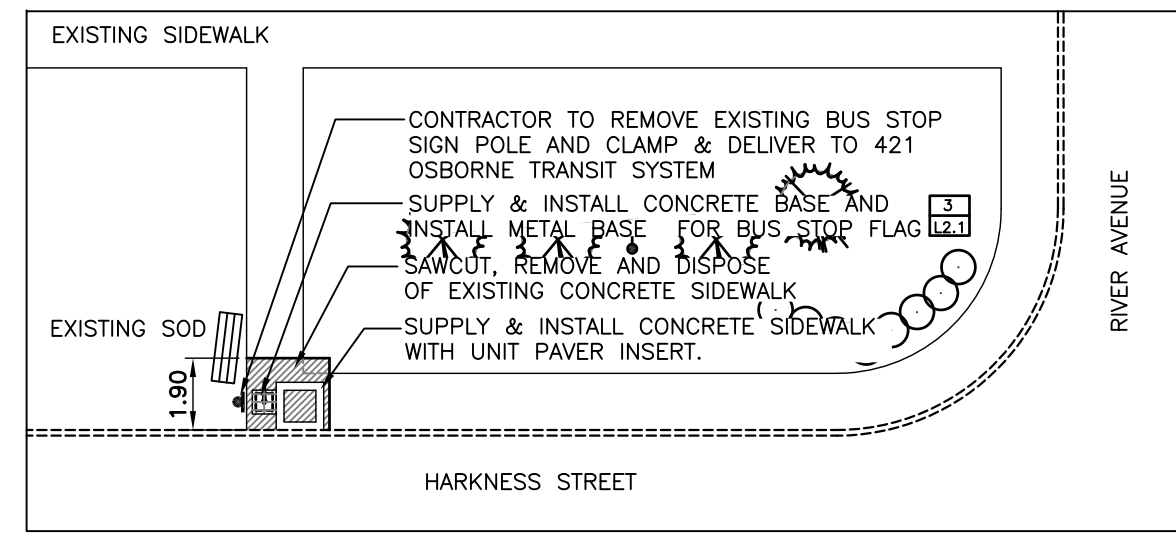
Eastbound Stradbrook, N/S Scott  
Stop 10188 Scott



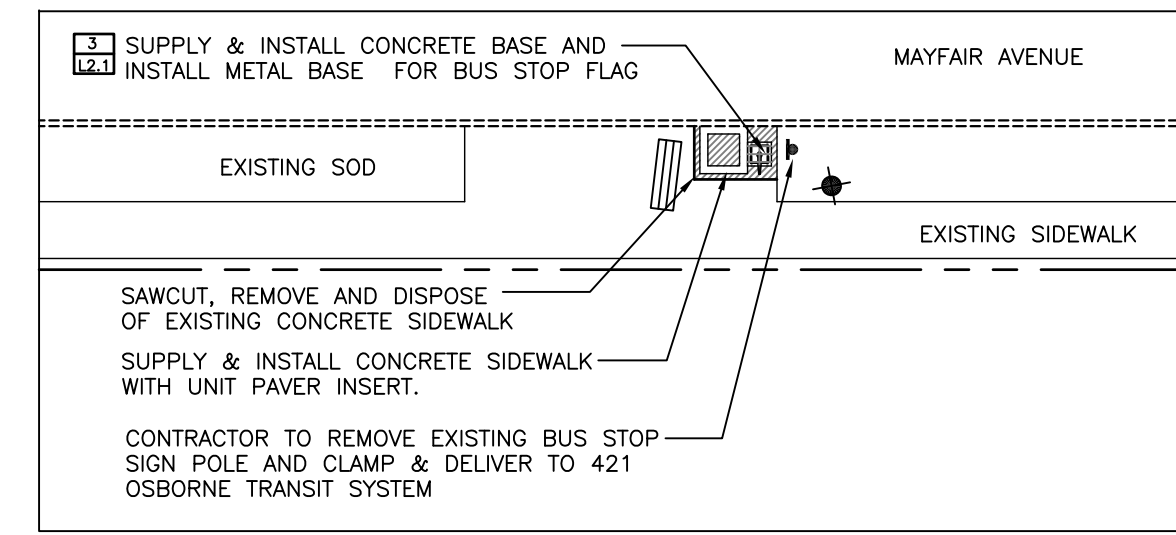
Eastbound Stradbrook, N/S Donald  
Stop 10730 Donald



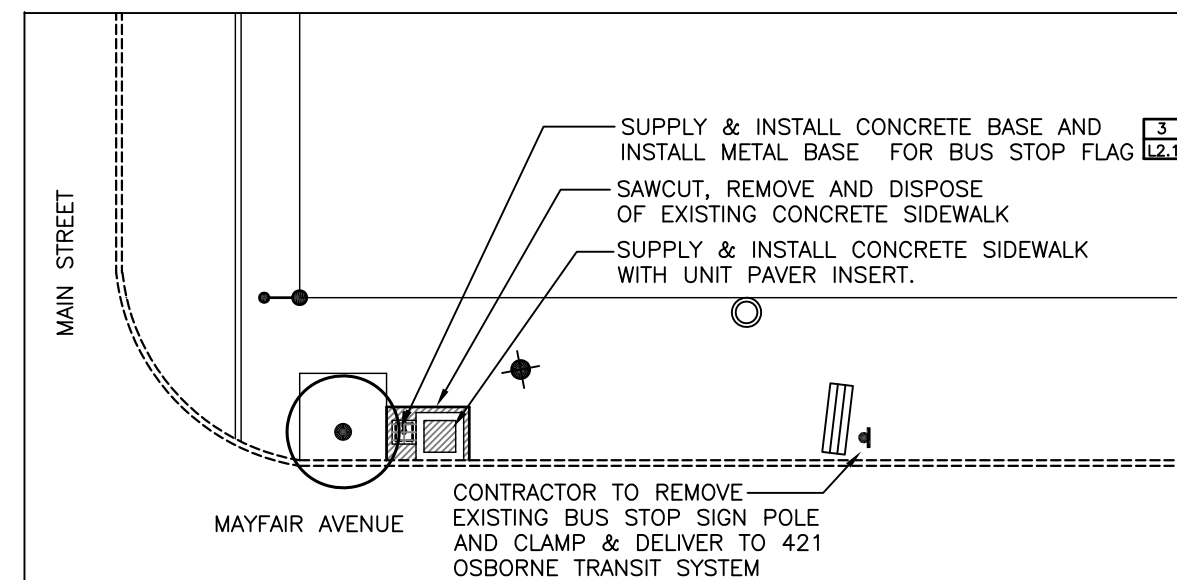
Eastbound Stradbrook, F/S Donald  
Stop 10189 Donald



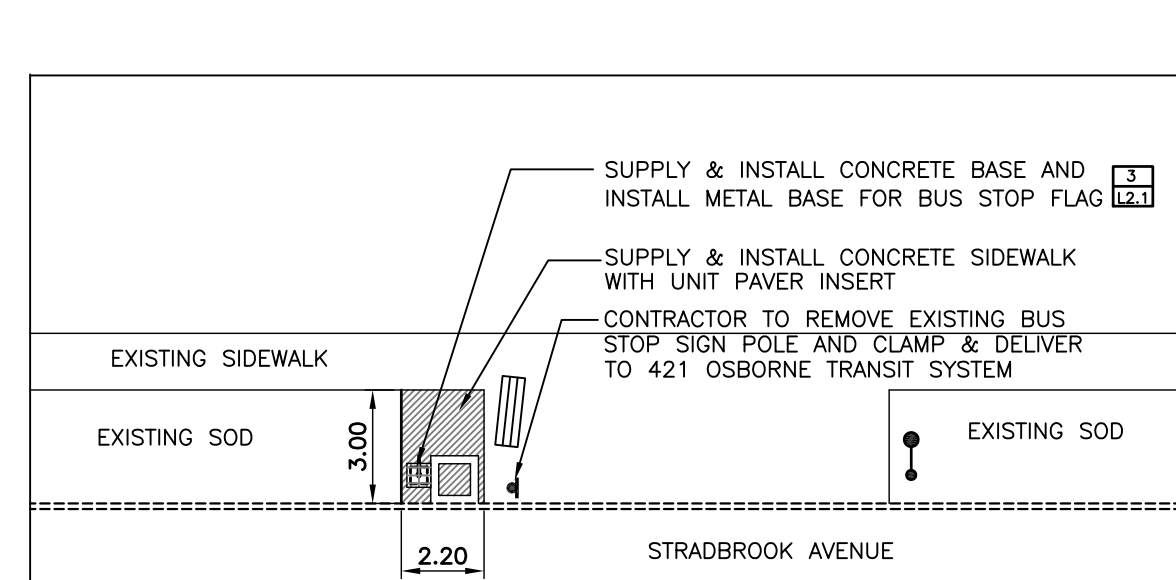
Northbound Harkness, F/S River  
Stop 10156 River



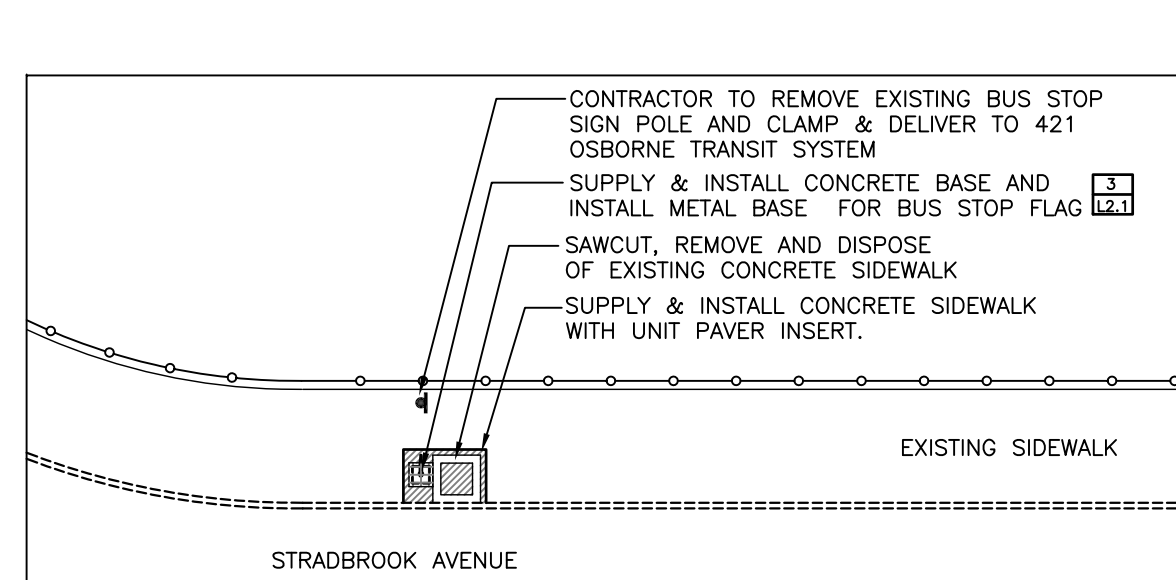
Eastbound Mayfair, F/S Harkness  
Stop 10645 Harkness



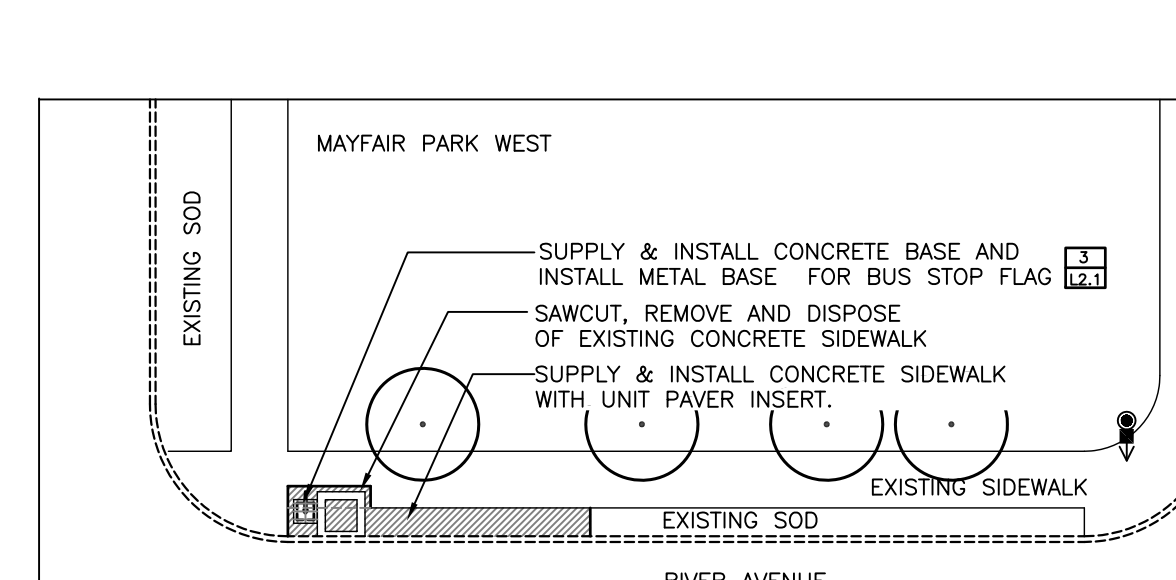
Eastbound Mayfair, N/S Queen Elizabeth  
Stop 10157 Queen Elizabeth



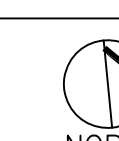
Westbound Stradbrook, F/S Elizabeth  
Stop 10676 Elizabeth



Westbound Stradbrook, N/S Harkness  
Stop 10161 Harkness



Westbound River, N/S Donald  
Stop 11035 Donald



**LEGEND**

**EXISTING**

- PROPERTY LINE
- EXISTING CURB
- EXISTING COBRA LIGHT POLE
- EXISTING HYDRANT
- MTS PHONE BOOTH
- ⊗ WASTE RECEPTACLE
- EXISTING TREE TO REMAIN
- EXISTING SIDEWALK TO BE REMOVED
- ⊕ EXISTING SIGN TO BE REMOVED
- ⊕ EXISTING TRAFFIC SIGNAL
- ⊕ EXISTING MAN HOLE

**PROPOSED**

- HOLLAND PAVERS
- ▬ PINNED CONCRETE CURB / CURB RENEWAL
- ▨ CONCRETE SIDEWALK
- ▨ SOD
- ⊕ BUS STOP FLAG

No.	Revisions	Date	By
Date Scale			
04-18-11		1:200	
Designed By	Drawn By	Checked By	
JW	MH	JW	

Seals



Client  
**WINNIPEG TRANSIT**  
Project Title  
**BUS STOP UPGRADES 2011**

Sheet Title  
**SITE WORKS LAYOUT PLANS**  
Project No. 06-029 Drawing No. L1.4