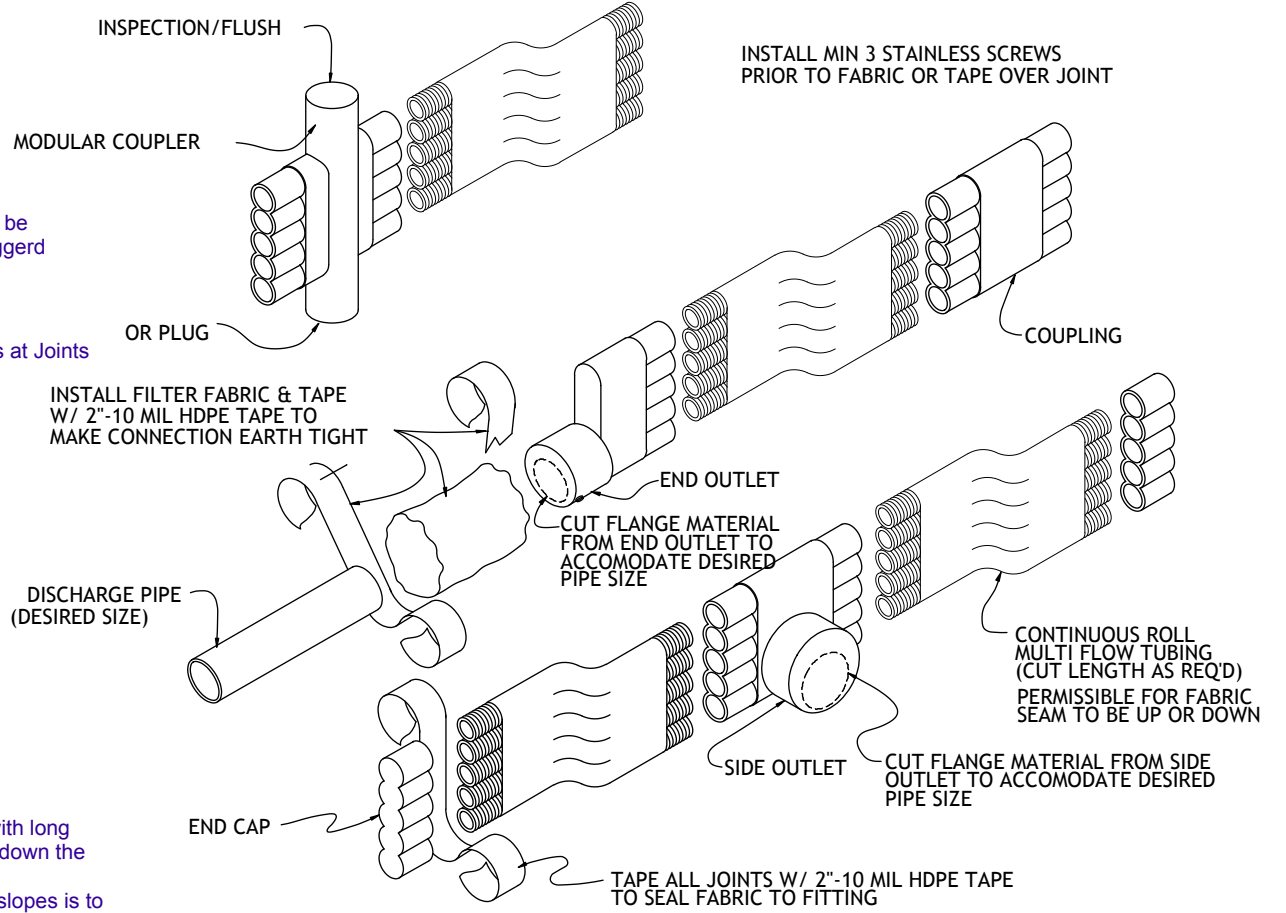
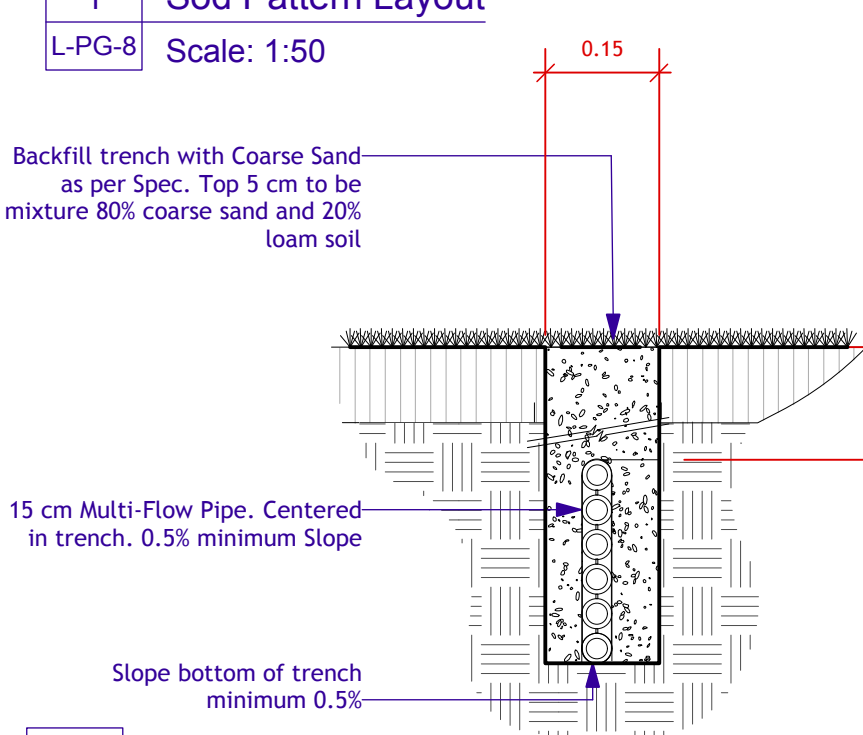


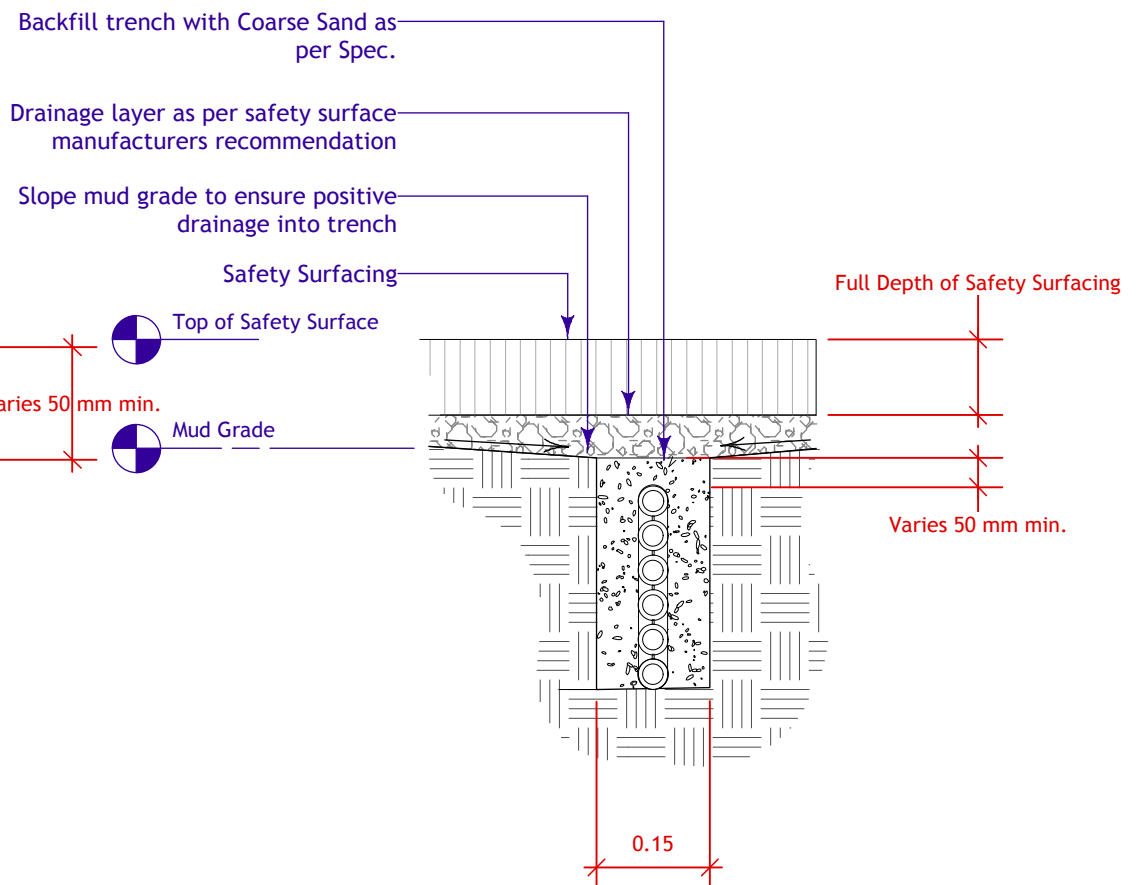
1 Sod Pattern Layout
L-PG-8 Scale: 1:50



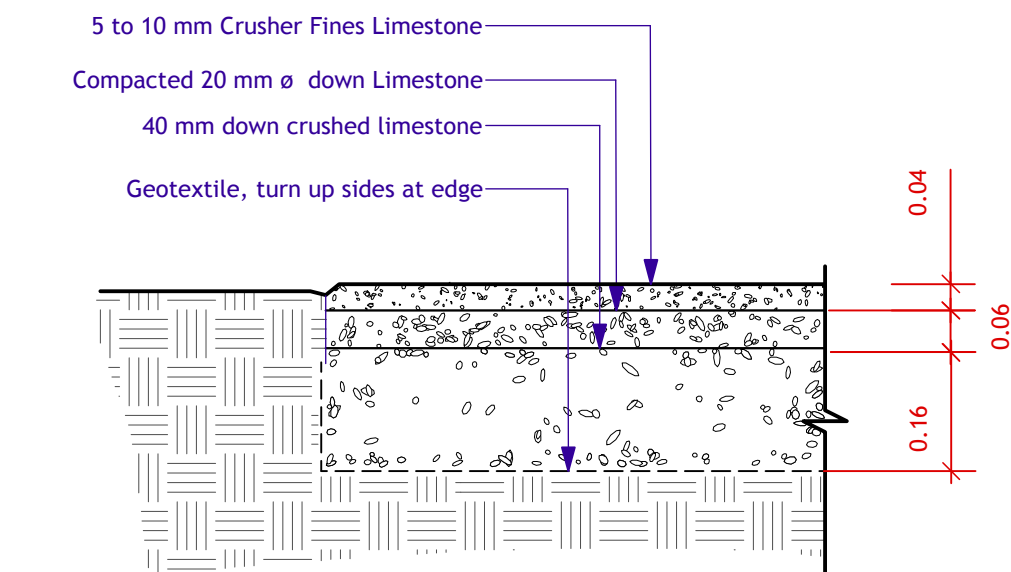
4 Multi-Flo Connection Details
L-PG-8 Scale: 1:5



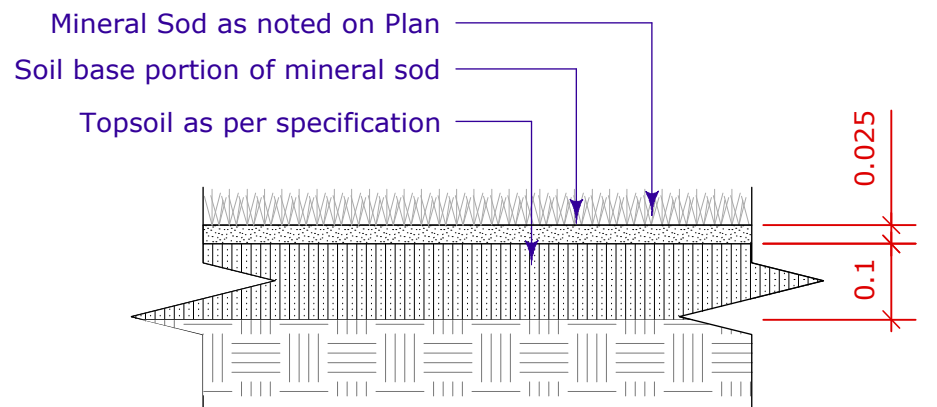
3 Multi-Flo in Grassed Area
L-PG-8 Scale: 1:10



6 Multi-Flo in Safety Surface Area
L-PG-8 Scale: 1:10



5 Crusher Fines Paving
L-PG-8 Scale: 1:10



2 Sod
L-PG-8 Scale: 1:10