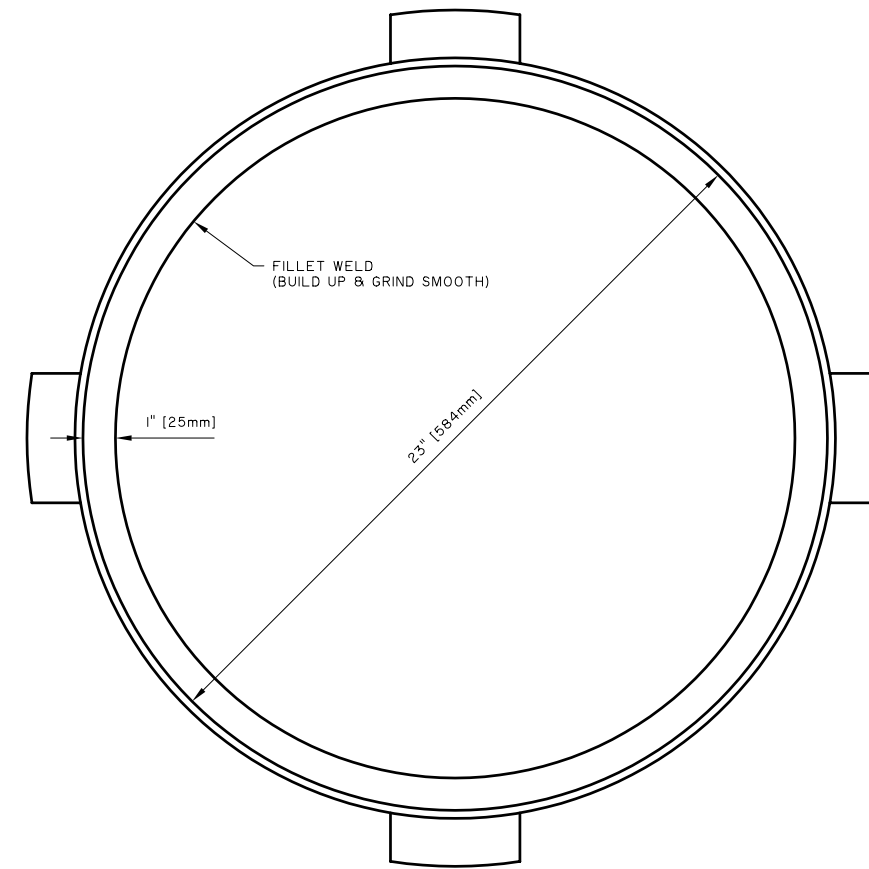
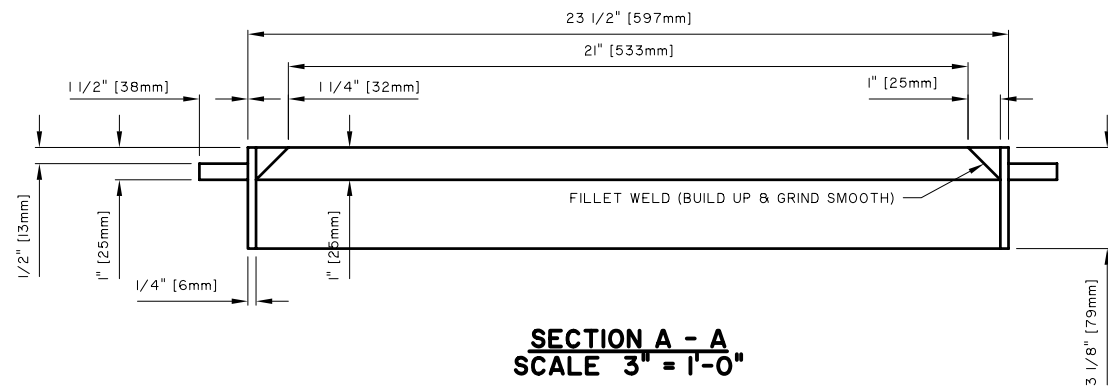


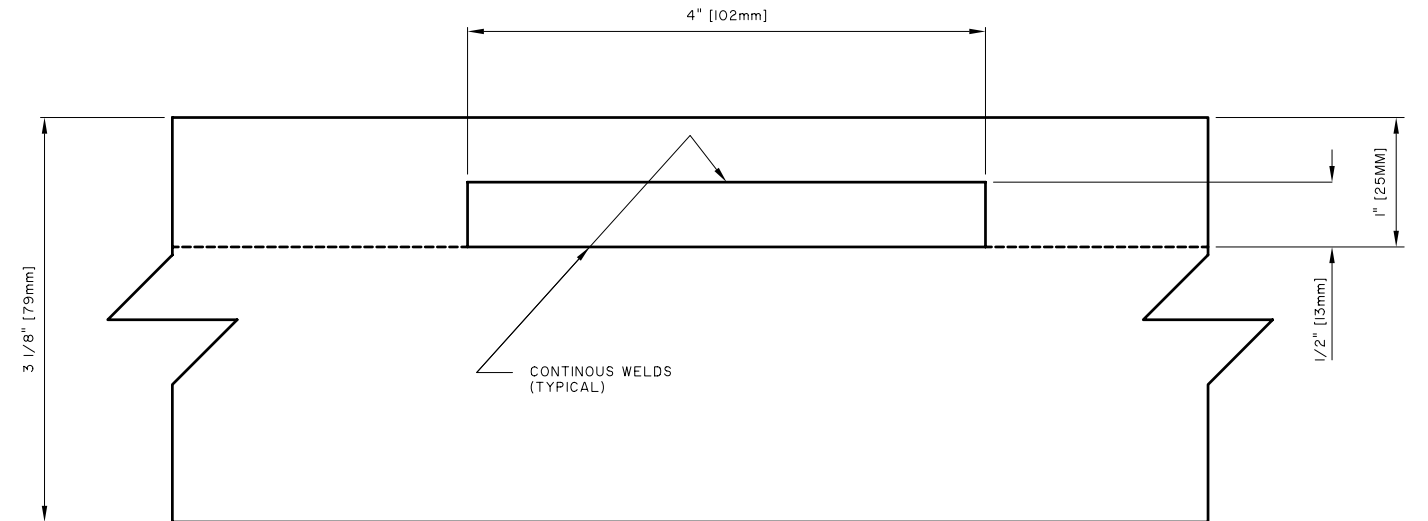
**PLAN VIEW**  
SCALE 3" = 1'-0"



**BOTTOM VIEW**  
SCALE 3" = 1'-0"



**SECTION A - A**  
SCALE 3" = 1'-0"



**SECTION B - B**  
SCALE 1" = 1"

**NOTES:**

1. TOP RING FORM REQUIRED FOR ST-II5 BASE INSTALLATIONS.
2. RING = 1/4" THICK STEEL, HANDLES = 1/2" STEEL.
3. ALL WELDS ON TOP & BOTTOM SURFACES SHALL BE CONTINUOUS AND GROUND SMOOTH.
4. IMPERIAL ARE IN WHOLE NUMBERS AND METRIC NUMBERS ARE IN BRACKETS.
5. TOP RING FORM TO BE SUPPLIED BY CONTRACTOR.
6. COPIES OF ORIGINAL DRAWINGS AVAILABLE FROM TRAFFIC SIGNALS.

NO.	REVISIONS	DATE	BY

REFERENCE SPEC. NO.	
<b>CW 3620</b>	
DESIGNED BY	CHECKED BY
DRAWN BY <b>lwb</b>	SCALE <b>AS NOTED</b>
APPROVED BY	
----- DATE	

ENGINEER'S SEAL



**THE CITY OF WINNIPEG**  
**PUBLIC WORKS DEPARTMENT**  
**TRANSPORTATION DIVISION**

**TOP RING FORM**  
**FOR MEDIUM DUTY**  
**DAVIT POLE BASE**

SHEET	OF
CAD FILE DRAWING NUMBER	
CITY DRAWING NUMBER	
<b>ST - 121</b>	