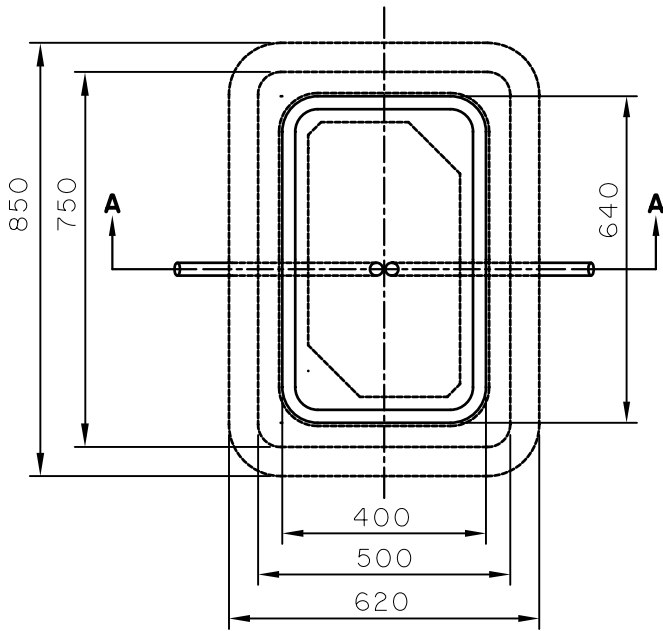
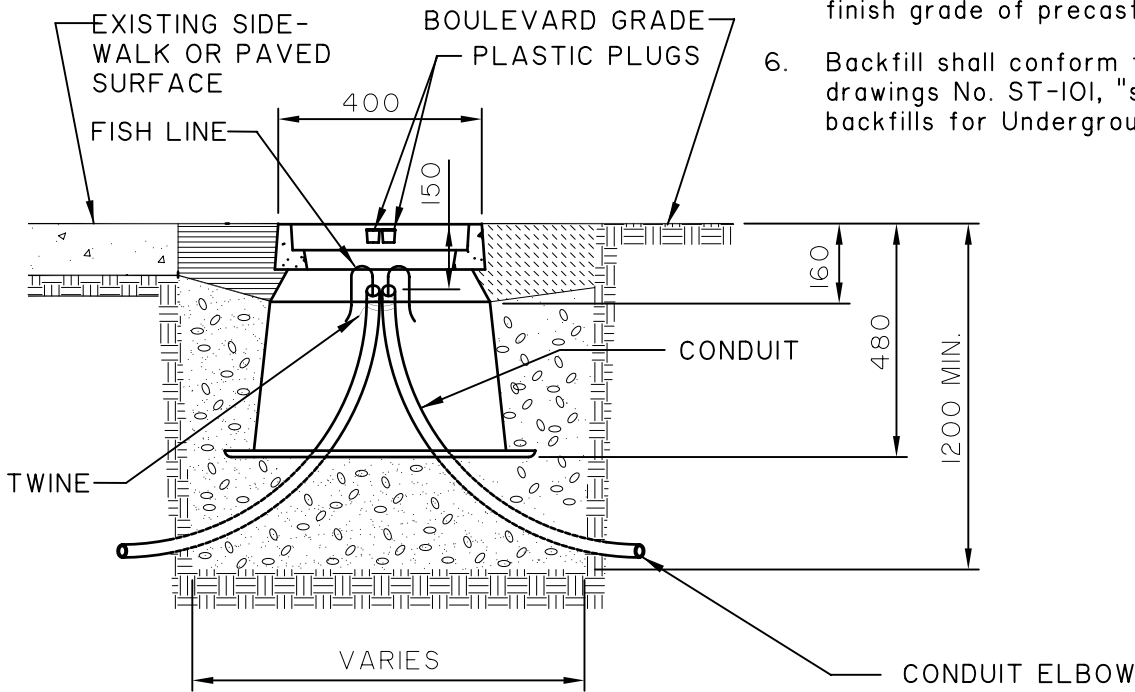


NOTES:

1. Ends of conduits shall be formed into elbows with 500mm bend radius.
2. Fill the excavation with compacted granular fill material to set precast service box for placement to set grade.
3. Install precast service box on top of compacted granular fill material. It is to be set to pavement, sidewalk or boulevard finish grade.
4. Backfill around precast service box exterior with:
 - i) Compacted granular fill material in bullnose, sidewalk and boulevard to within 150mm of finish grade.
 - ii) Compacted granular fill overtopped with compacted excavation material in landscaped boulevard and median areas.
 - iii) Temporary fill to grade with compacted granular fill prior to final installation of surface concrete.
 - iv) Monolithically poured concrete to grade for sidewalk & paved areas. All concrete surfaces shall be trowled & textured broom finish.
5. Terminate conduit ends within 300mm of finish grade of precast service box.
6. Backfill shall conform to requirements of drawings No. ST-101, "standard beddings and backfills for Underground Traffic Signals Works."



PLAN VIEW



SECTION A-A

DIMENSIONS ARE IN MILLIMETRES
(Unless otherwise noted)



**THE CITY OF WINNIPEG
PUBLIC WORKS DEPARTMENT
TRANSPORTATION DIVISION**

Reference Spec. No.
CW 3620-R5

Revisions

No.	Date	Description	By

PRECAST SERVICE BOX DETAIL

Designed By: C.K.	Drawn By: NKB	Scale : N.T.S.
Checked By:	Date: 95 - 03 - 01	Drawing No. ST-135
Approved:		