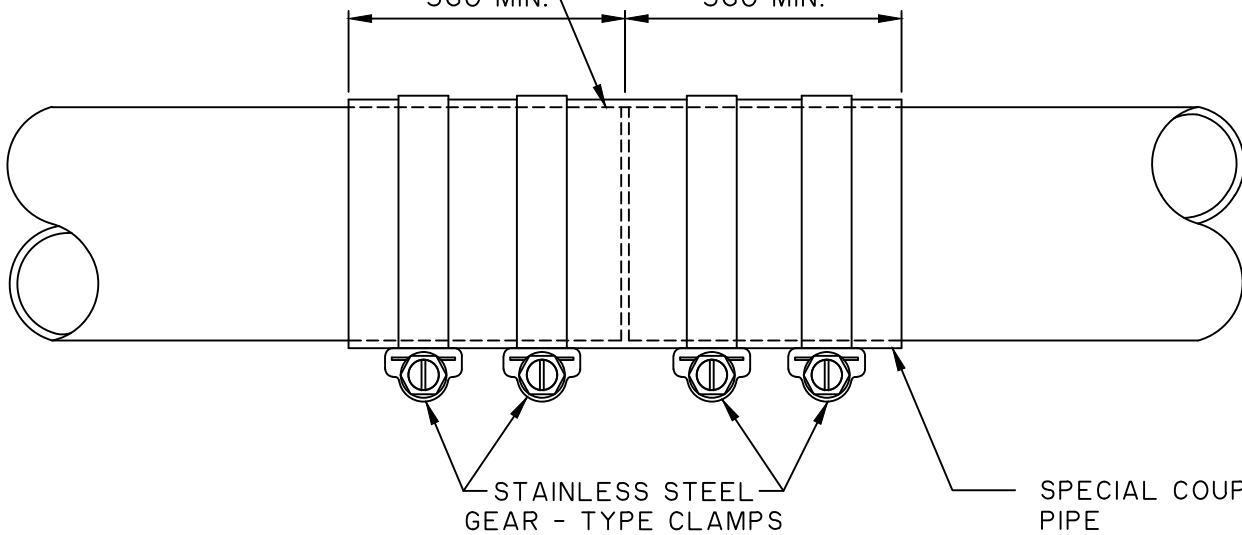


38 mm I.D. or 50mm PLASTIC PIPE TO BE CUT AT 90°

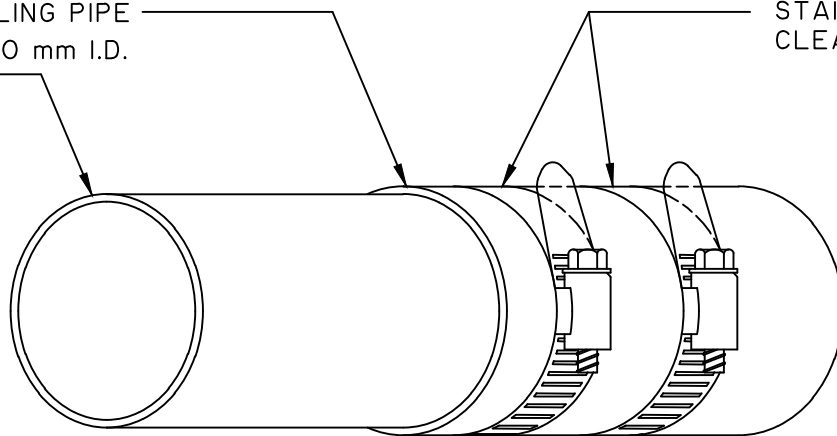
360 MIN.

360 MIN.



SPECIAL COUPLING PIPE
38 mm I.D. or 50 mm I.D.
PLASTIC PIPE

STAINLESS STEEL
CLEAR - TYPE CLAMPS



DIMENSIONS IN MILLIMETRES

Revisions



THE CITY OF WINNIPEG
PUBLIC WORKS DEPARTMENT
TRANSPORTATION DIVISION

Reference Spec. No.
CW 3620

No.	Date	Description	By
1	11/03/23	ADDED ADDITIONAL GEAR CLAMPS AND CHANGED TITLE	NKB

JOINT FOR 38 mm or 50 mm
POLYETHYLENE DUCT

Designed By: C.K.	Drawn By: N.K.B.	Scale : N.T.S.
Checked By:	Date: 95 - 03 - 09	Drawing No.
Approved:		ST-48