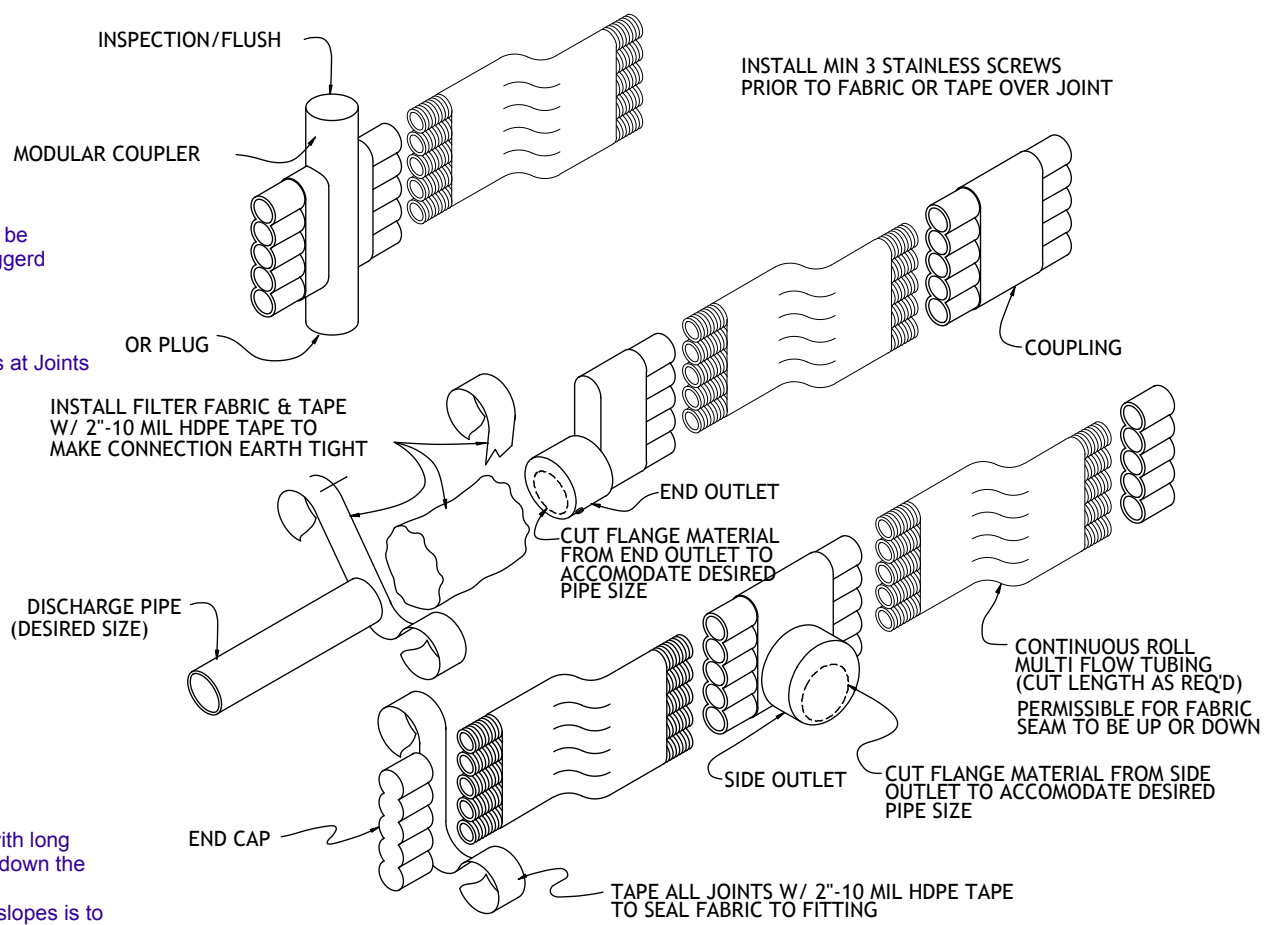
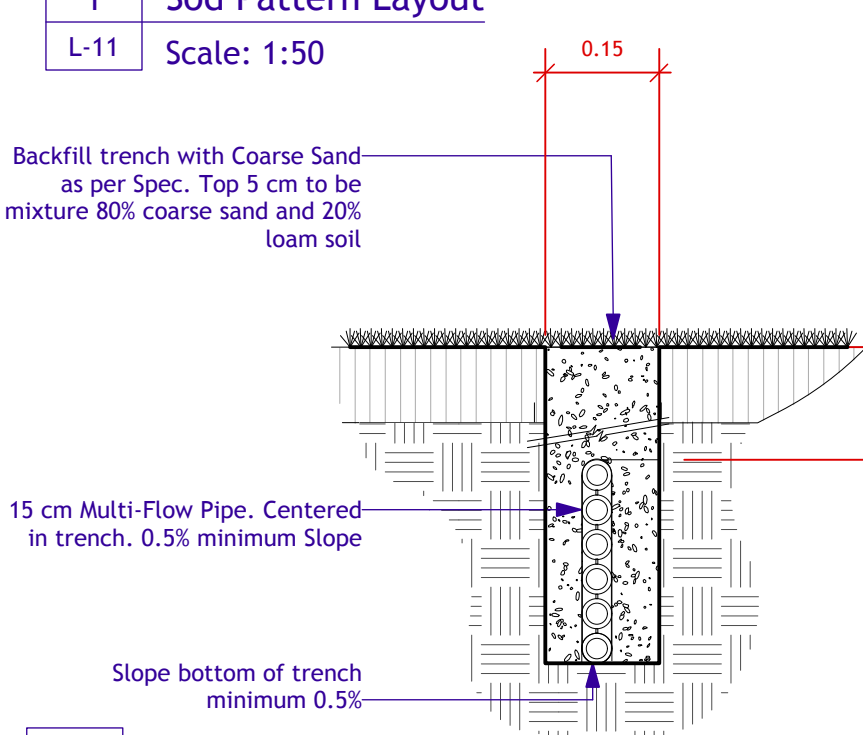


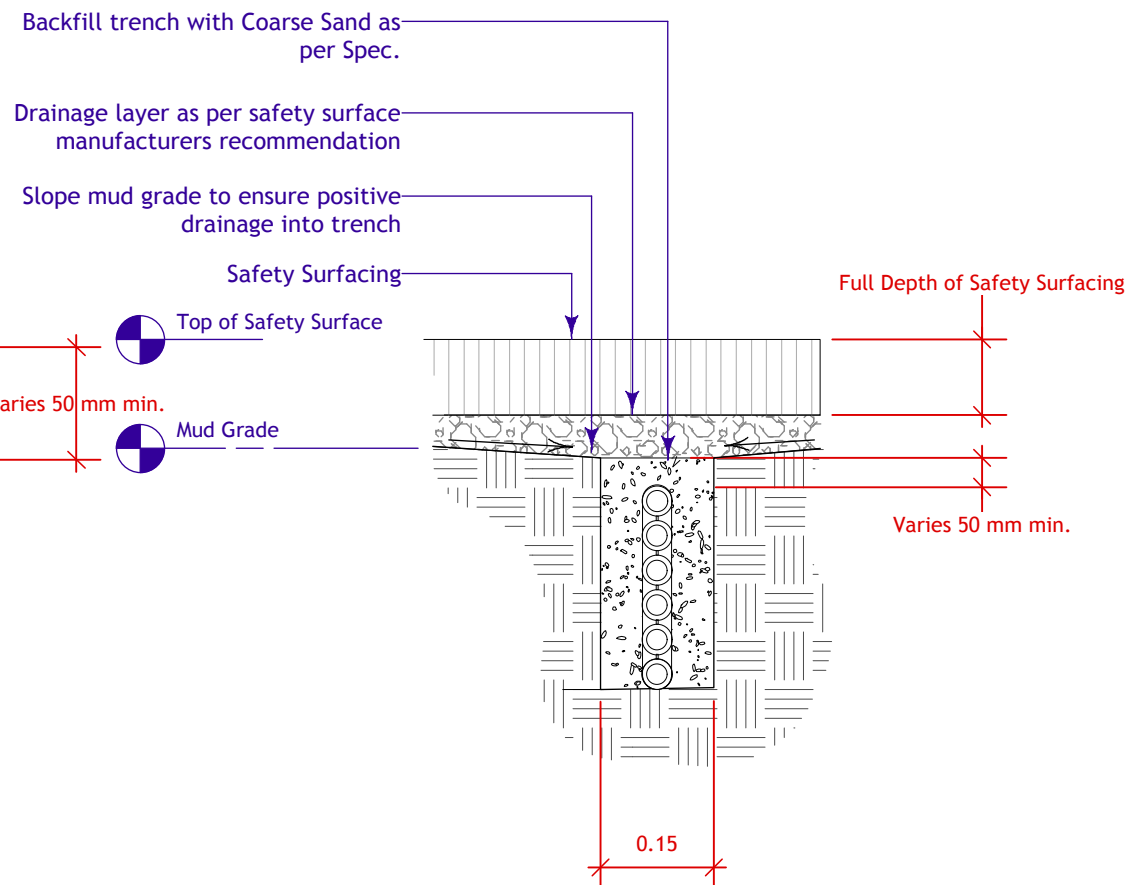
1 Sod Pattern Layout
L-11 Scale: 1:50



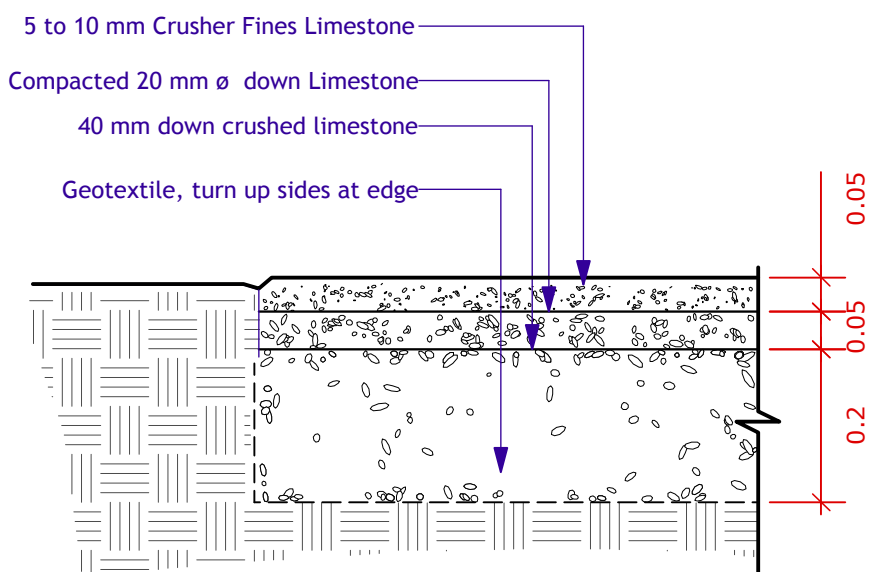
4 Multi-Flo Connection Details
L-11 Scale: 1:5



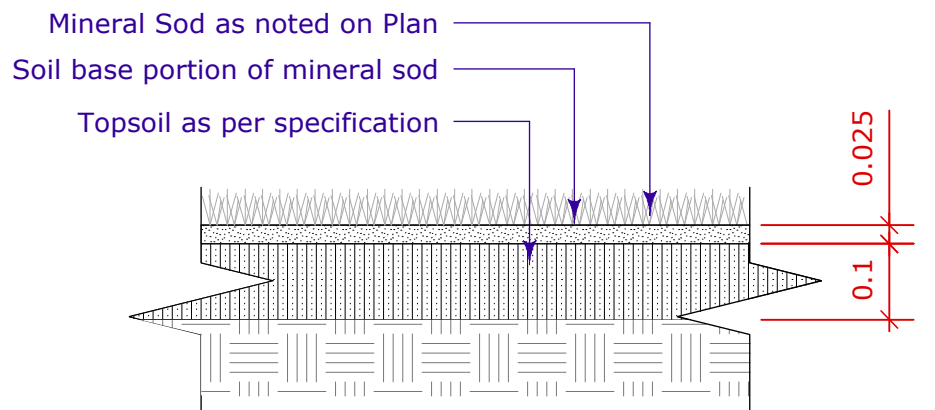
3 Multi-Flo in Grassed Area
L-11 Scale: 1:10



6 Multi-Flo in Safety Surface Area
L-11 Scale: 1:10



5 Crusher Fines Paving
L-11 Scale: 1:10



2 Sod
L-11 Scale: 1:10

No.	Date	Issue Notes
C	4/26/11	For Bid Opp

Sir William Churchill Park
Multi-Flo and Sod Details

