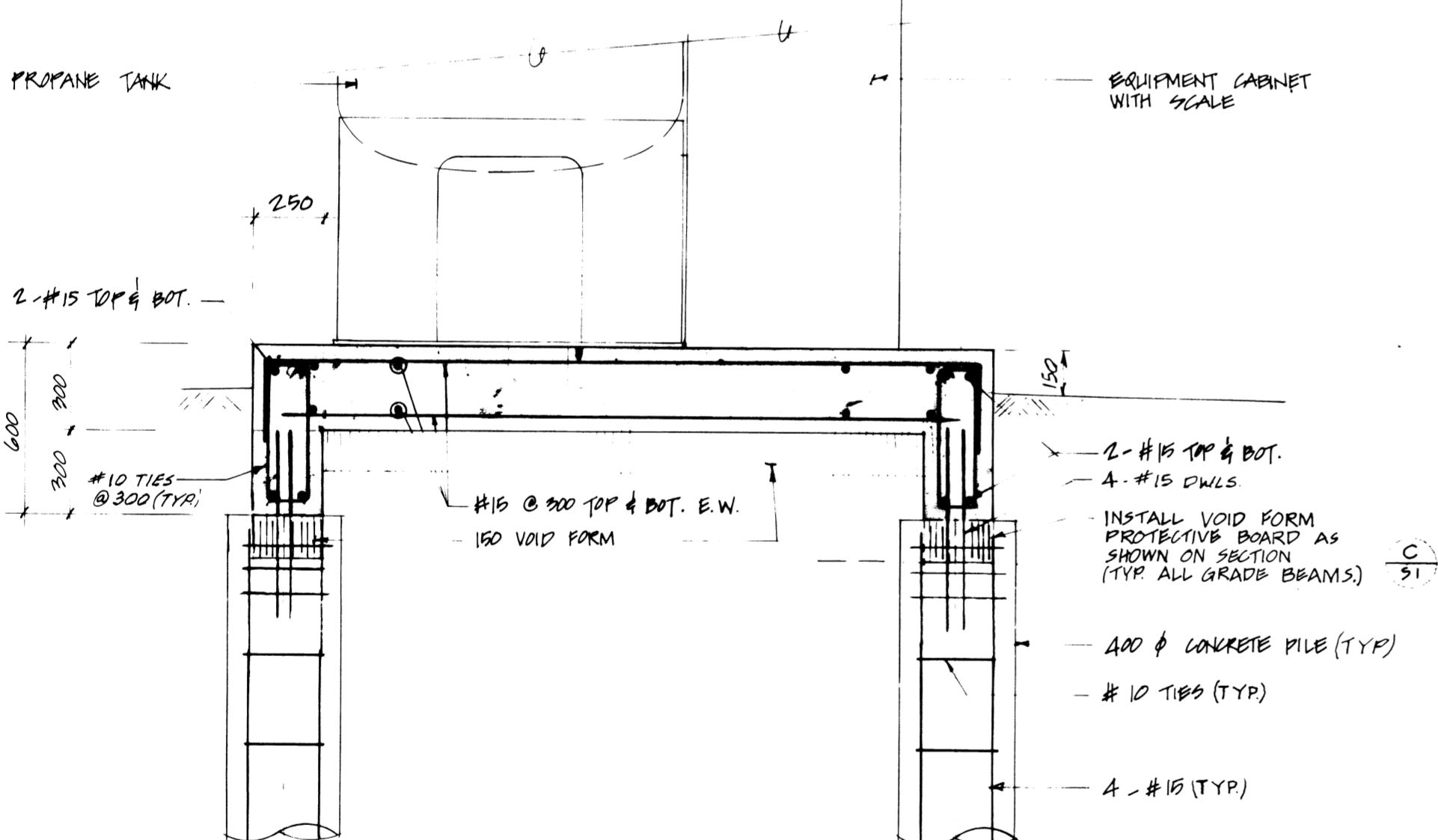
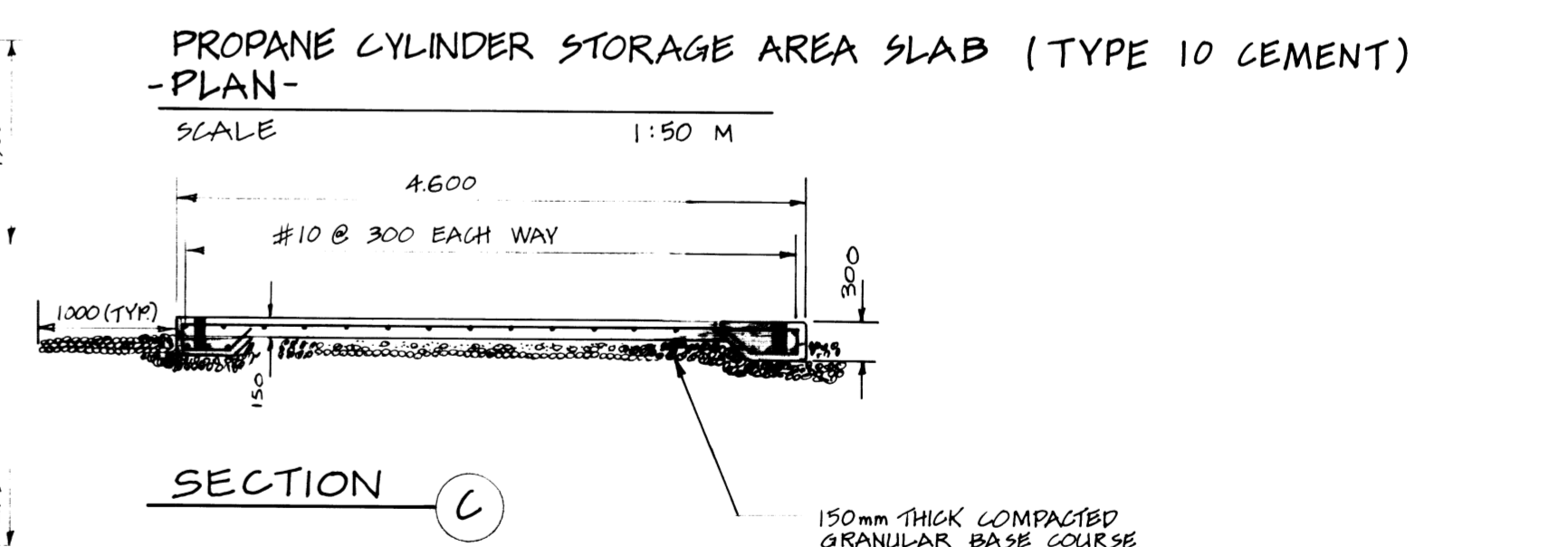
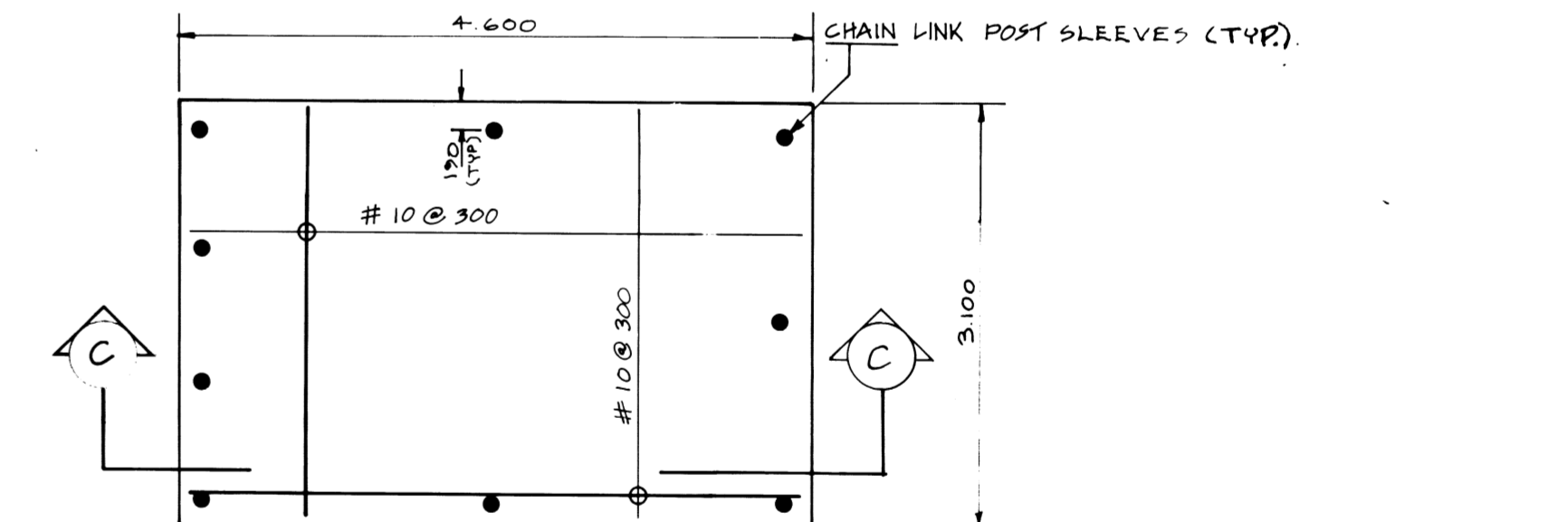
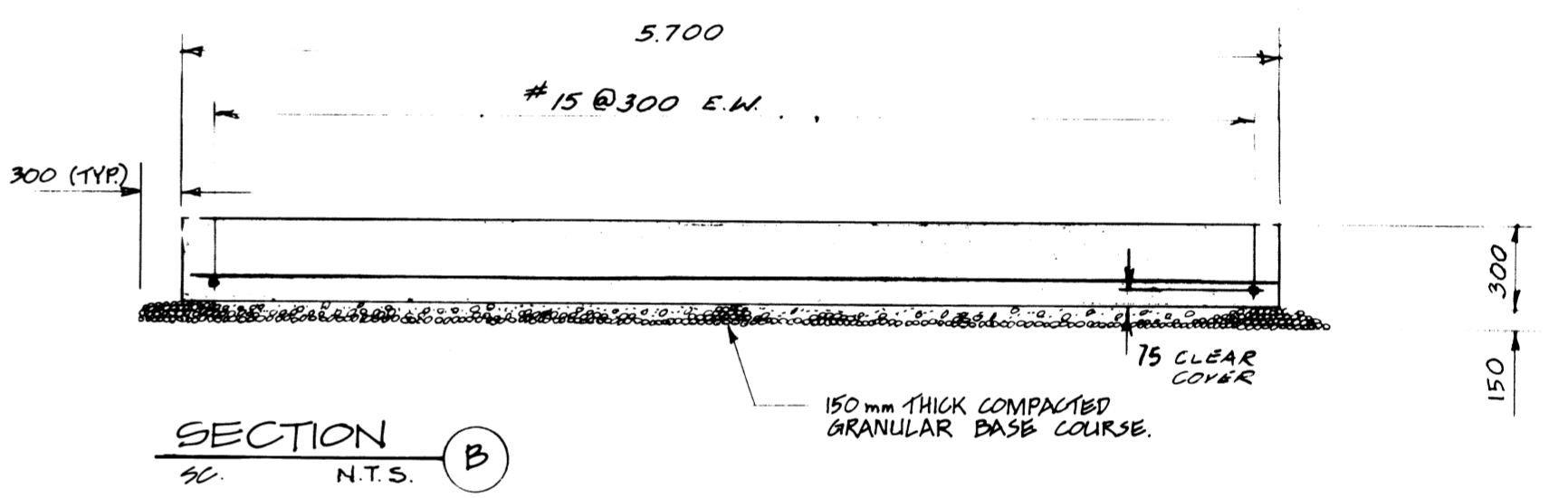
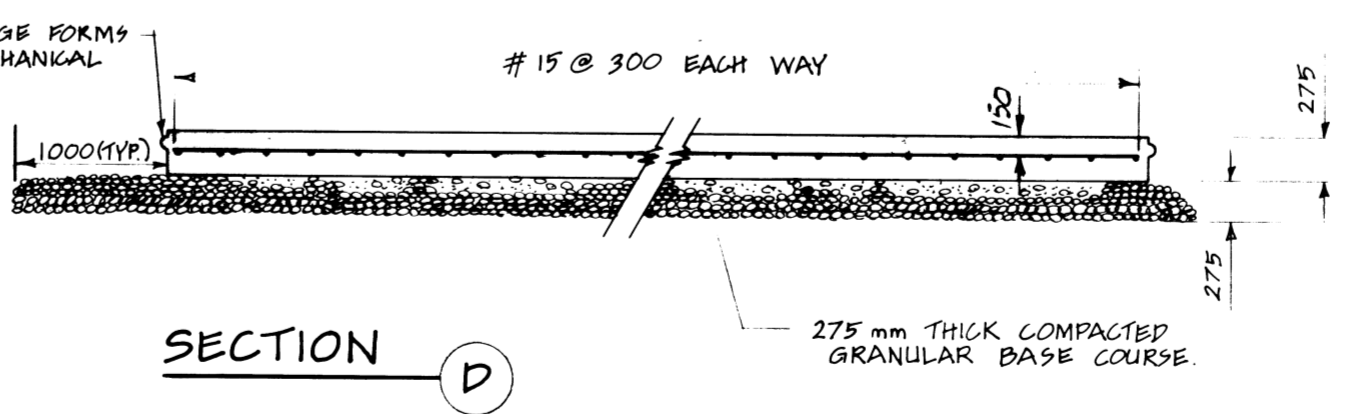
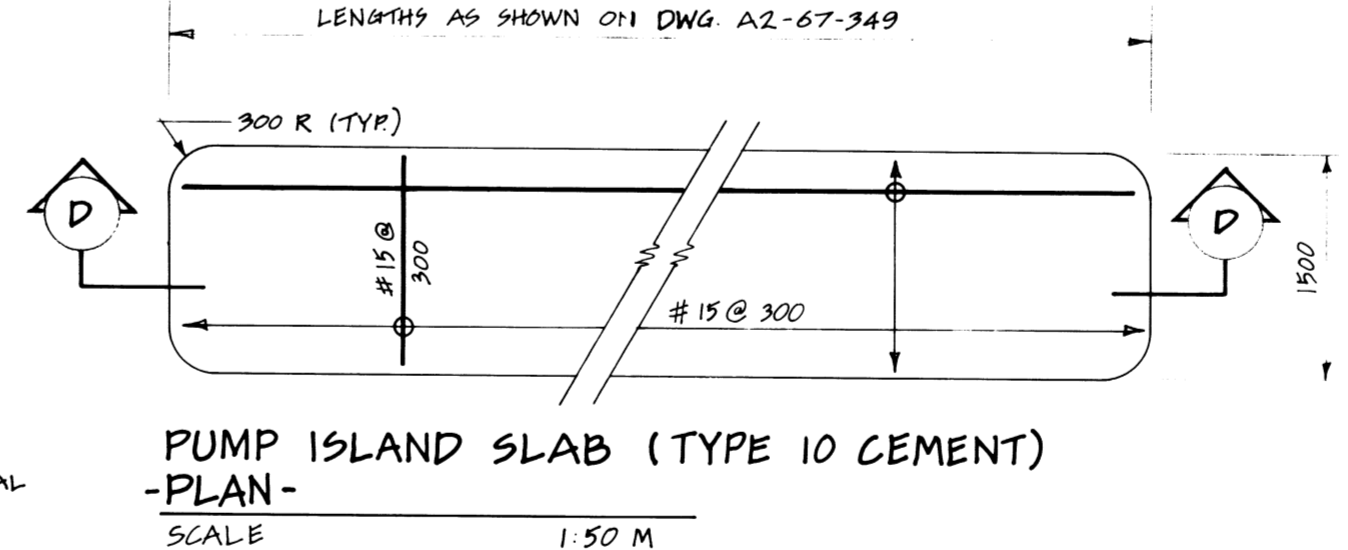


NOTE:  
CONCRETE CONTRACTOR TO CAST ANCHOR BOLTS SUPPLIED BY UNDERGROUND TANK SUPPLIER INTO FUEL STORAGE TANK FOUNDATION LAYOUT DIMENSIONS TO BE CONFIRMED WITH SUPPLIER.



PILE DETAIL SCALE 1:20 M  
PROPANE TANK (TYPE 50 CEMENT)

NOTE:  
CONCRETE CONTRACTOR TO CAST ANCHOR BOLTS, PIPING CONDUIT ETC INTO CONCRETE SLAB AND/OR GRADE BRAMS. CONTRACTOR TO COORDINATE SUPPLY, DELIVERY AND INSTALLATION AS REQUIRED TO ENSURE ALL COMPONENTS INSTALLED. BOLTS, PIPE, ETC. SUPPLIED BY OTHER SECTIONS.



NOTE:  
1) SAWCUT JOINTS IN PUMP ISLAND SLABS AT MAXIMUM 4.0 SPACING  
2) ENSURE ALL MECHANICAL AND ELECTRICAL LINES, SLEEVES, ETC. INSTALLED PRIOR TO POURING CONCRETE.  
3) BOX OUT ALL PIPING CONDUIT, ETC. AS SPECIFIED IN MECHANICAL SECTIONS OF SPECIFICATIONS.  
"SPIFFY" TYPE EDGE FORMS (SUPPLIED BY MECHANICAL SECTION)

SECTION A SCALE 1:20  
PROPANE TANK FOUNDATION (TYPE 50 CEMENT)

SECTION C SCALE N.T.S.  
PROPANE CYLINDER STORAGE AREA SLAB (TYPE 10 CEMENT)

PUMP ISLAND SLAB (TYPE 10 CEMENT) - PLAN - SCALE 1:50 M

SECTION D SCALE N.T.S.

REVISED AS CONSTRUCTED (NO REVISIONS)  
DATE 08/3/23 BY B.D.E.  
CHECKED BY B.

METRIC  
WHOLE NUMBERS INDICATE MILLIMETRES  
DECIMALIZED NUMBERS INDICATE METRES

RELEASED FOR CONSTRUCTION						<b>IDE</b> ID ENGINEERING CANADA INC Professional Engineers WINNIPEG, MANITOBA		ENGINEER'S SEAL 		<b>THE CITY OF WINNIPEG</b> CIVIC PROPERTIES DEPARTMENT	
DIRECTOR OF CIVIC PROPERTIES _____ DIRECTOR OF OPERATIONS <i>[Signature]</i>						DESIGNED BY G.C.F. DRAWN BY A.L.A.		CHECKED BY G.M. DATE JUNE 23, 1986		CENTRAL YARD REORGANIZATION PROJECT FIELD BOOK	
BENCH MARK: SEE DRAWING A2-67-349						SCALE: AS SHOWN DETAIL:		APPROVED BY <i>[Signature]</i> DATE 20 6 20		FUEL STATION STRUCTURAL 2	
EXISTING	LEGEND	PROPOSED	EXISTING	LEGEND	PROPOSED	NO.	REVISIONS	DATE	BY	CONSULTANT PLAN NO. S2-71-349	PLAN NO. S2-71-349