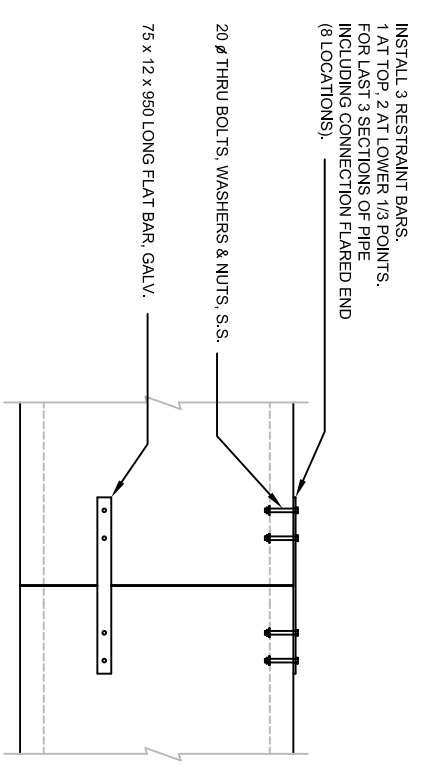
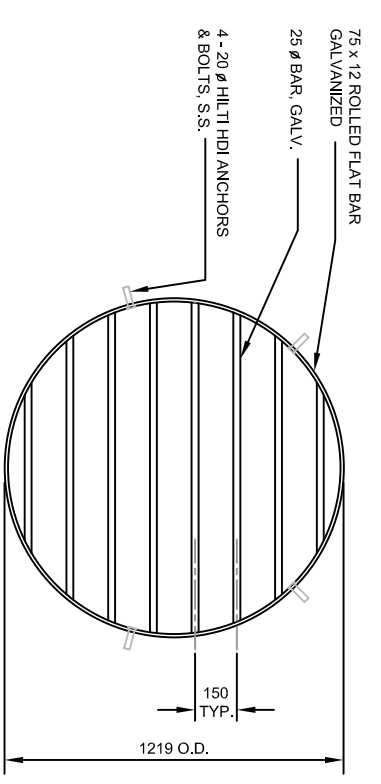


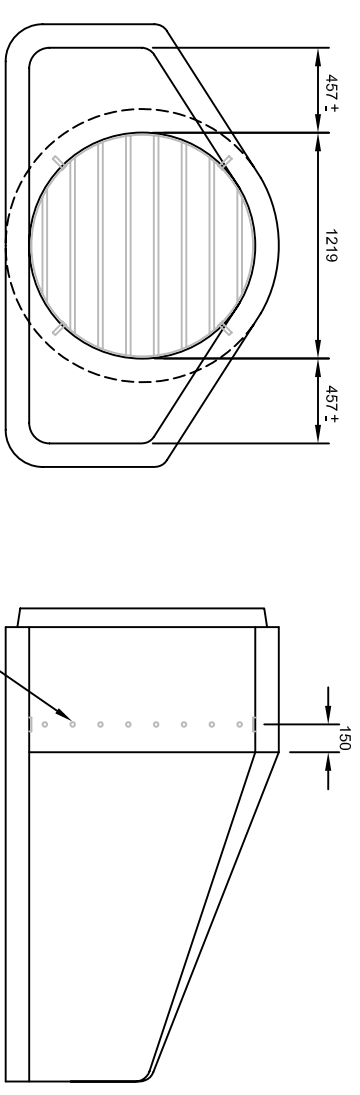
1 PRECAST STRAIGHT WALL PIPE
N.T.S.



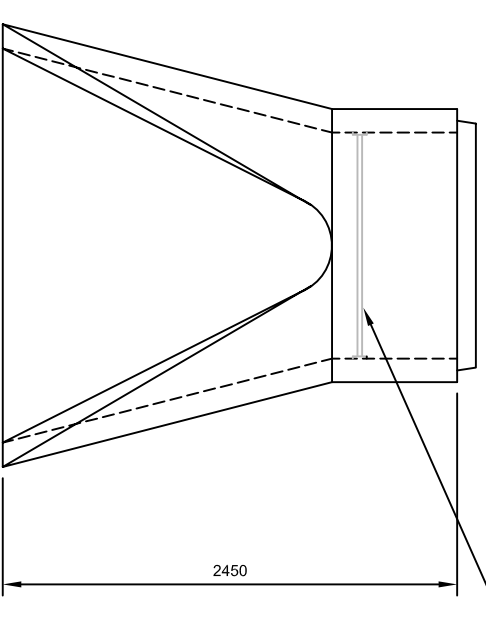
4 JOINT RESTRAINT BARS
N.T.S.



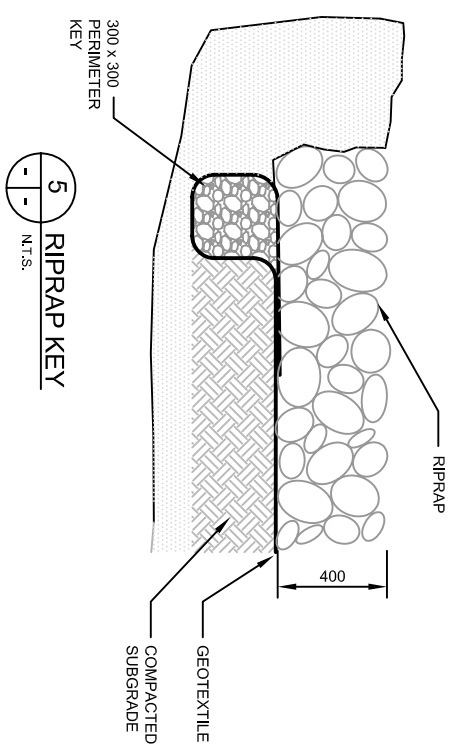
3 SAFETY GRATE BAR SCREEN
N.T.S.



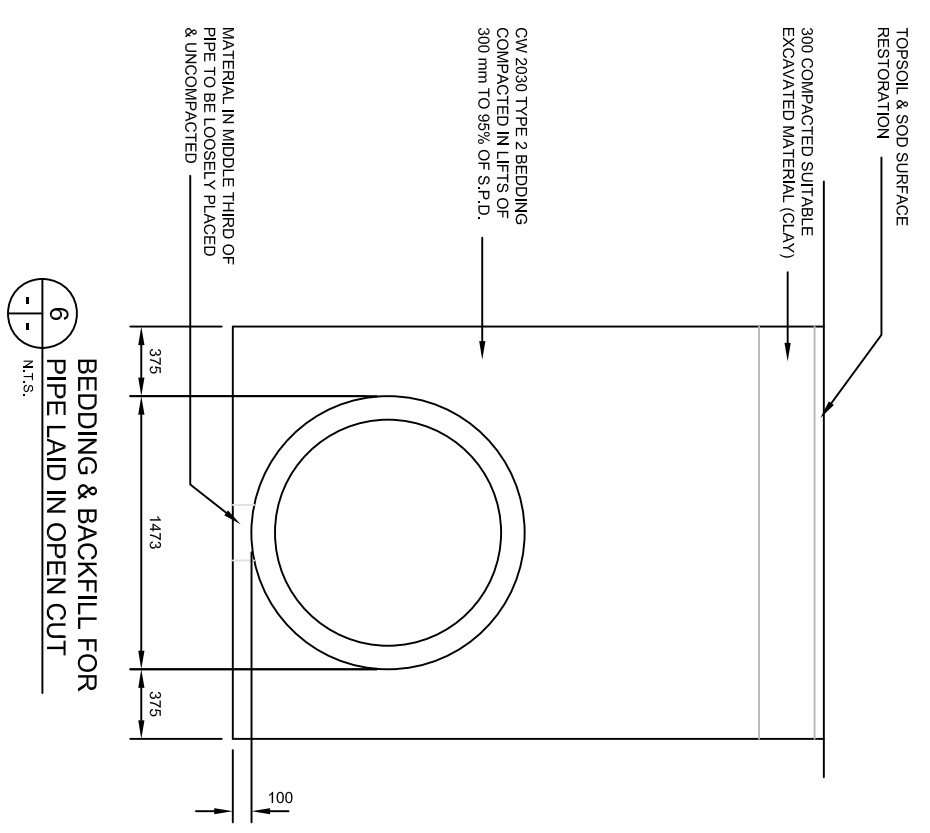
SAFETY GRATE BAR SCREEN
SEE DETAIL 3.



2 PRECAST FLARED END
SHOWN WITH SPRIGOT END



5 RIPRAP KEY
N.T.S.



6 BEDDING & BACKFILL FOR PIPE LAID IN OPEN CUT
N.T.S.

LOCATION APPROVED UNDERGROUND STRUCTURES

NO.	REVISION	DATE	BY	DATE	BY
0	ISSUED FOR TENDER	02/29/11	M.T.		

NO.	REVISION	DATE	BY	DATE	BY
0	ISSUED FOR TENDER	02/29/11	M.T.		

ENGINEER'S SEAL

PROVINCE OF MANITOBA
REGISTERED PROFESSIONAL ENGINEER
D.N. BURMEY
2011/09/02

DESIGNED BY: D.M.B.
DRAWN BY: M.R.T.
CHECKED BY: D.M.B.
APPROVED BY: D.M.B.
AUTHORIZED BY:
ORIGINAL SIGNED BY: D.N. BURMEY
D.N. BURMEY
BRIDGE MAINTENANCE ENGINEER

BID OPPORTUNITY NO.: 40-2011

CITY OF WINNIPEG
PUBLIC WORKS DEPARTMENT
ENGINEERING DIVISION

PORTAGE AVENUE AT TRURO CREEK
CULVERT TWINNING

SHEET 3 OF 3
HORIZONTAL: N.T.S.
VERTICAL: N.T.S.
CITY DRAWING NUMBER: C307-11-03

METRIC
WHOLE NUMBERS INDICATE MILLIMETRES
DECIMALIZED NUMBERS INDICATE METRES