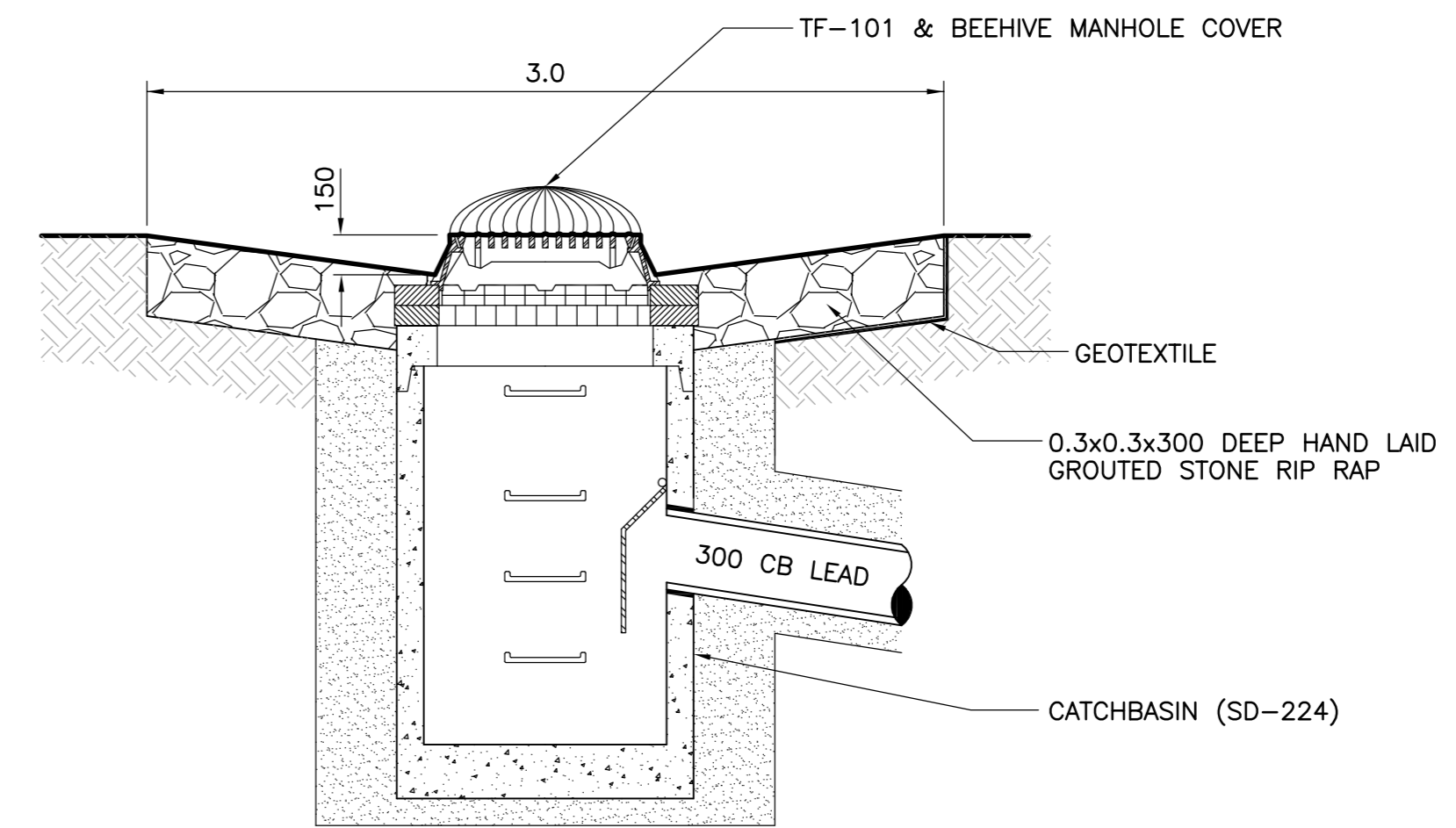
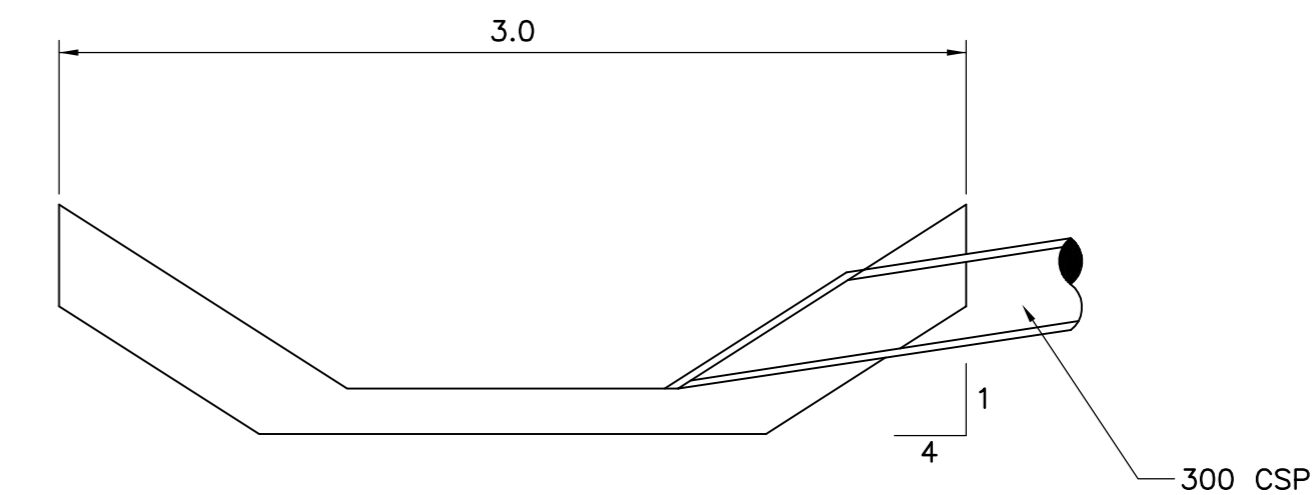


1 RELOCATED INTAKE MANHOLE DETAIL  
1 : 25



2 DITCH INLET DETAIL IN SECTION  
1 : 25



3 RIP RAP PAD DETAIL  
NTS

**APEGM**  
Certificate of Authorization  
Wardrop Engineering Inc.  
No. 195 Expiry: April 30, 2012

150 WM	WATERMAIN	150 WM	TEE	15.240	LEGAL DIMENSION
400 FM	FEEDERMAIN	400 FM	CURB STOP		SURVEY BAR
300 LDS	LAND DRAINAGE SEWER	300 LDS	PLUG	)	COMMUNITY MAIL BOX
250 WWS	WASTEWATER SEWER	250 WWS	MANHOLE	o	GAS
300 CS	COMBINED SEWER	300 CS	CATCHBASIN	■	HYDRO
200 FCM	FORCEMAIN	200 FCM	CURB INLET	▼	MTS
	JUNCTIONS		ADDRESS		DITCH
	HYDRANT		HYDRO POLE		CULVERT
	VALVE		LIGHT STANDARD		CONCRETE
	BEND		RAMP CURB		ASPHALT
EXISTING	LEGEND-PLAN	PROPOSED	EXISTING	LEGEND-PLAN	PROPOSED

LOCATION APPROVED UNDERGROUND STRUCTURES	
SUPV. U/G STRUCTURES COMMITTEE	DATE
NOTE: LOCATION OF UNDERGROUND STRUCTURES AS SHOWN ARE BASED ON THE BEST INFORMATION AVAILABLE. BUT NO GUARANTEE IS GIVEN THAT ALL EXISTING UTILITIES ARE SHOWN OR THAT THE GIVEN LOCATIONS ARE EXACT. CONFIRMATION OF EXISTENCE AND EXACT LOCATION OF ALL SERVICES MUST BE OBTAINED FROM THE INDIVIDUAL UTILITIES BEFORE PROCEEDING WITH CONSTRUCTION.	

B.M. CITY OF WINNIPEG 82-024 ELEV. 232.259m	
DESIGNED BY	GC/BGD
CHECKED BY	
DRAWN BY	GP
APPROVED BY	
HOR. SCALE:	1 : 500
VERTICAL:	1 : 20
ISSUED FOR TENDER	11.05.13
NO. REVISIONS	DATE BY

**WARDROP** A TETRA TECH COMPANY  
PEOPLE, PASSION, PERFORMANCE. TRUSTED GLOBALLY

DESIGNED BY GC/BGD  
CHECKED BY  
DRAWN BY GP  
APPROVED BY  
HOR. SCALE: 1 : 500  
VERTICAL: 1 : 20  
ISSUED FOR TENDER 11.05.13  
NO. REVISIONS DATE BY

**PRELIMINARY DRAWING**  
NOT TO BE USED FOR CONSTRUCTION

CONSULTANT DRAWING NO. 0800040100-DWG-C0001-00

**THE CITY OF WINNIPEG**  
Waverley Street TWINNING AND ASSOCIATED WORKS  
Waverley Street TYPICAL DETAILS

CITY DRAWING NUMBER  
SHEET 19 OF 19  
C0019