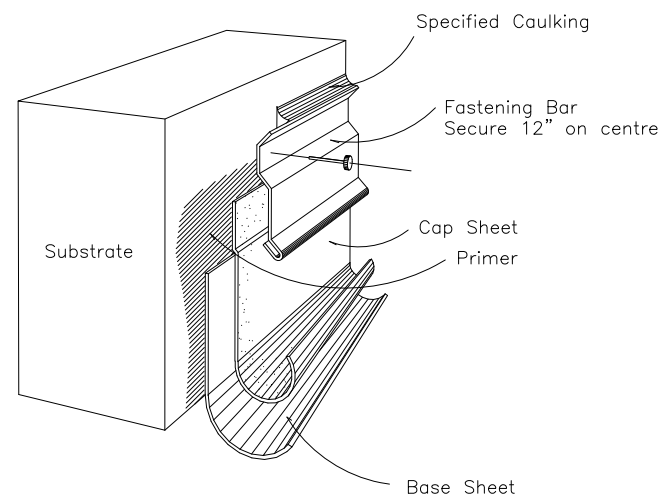
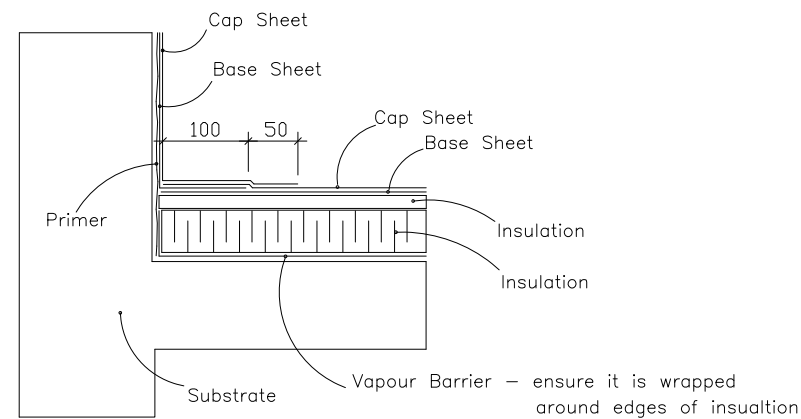


Typical Fastening Bar

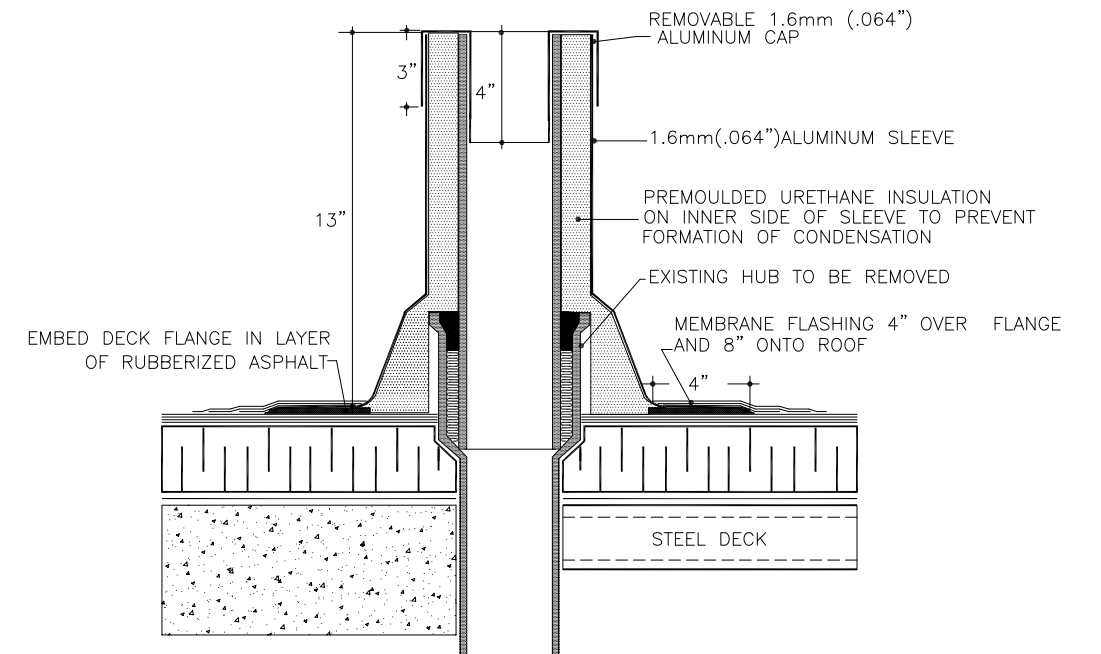


Typical Roof Edge Detail



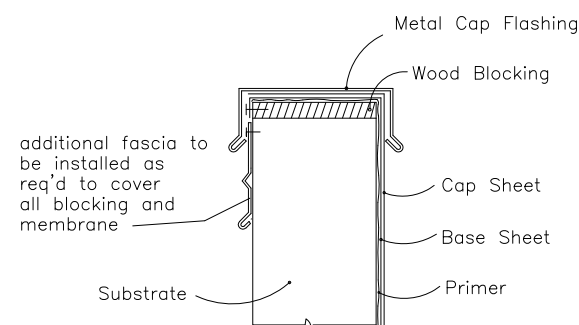
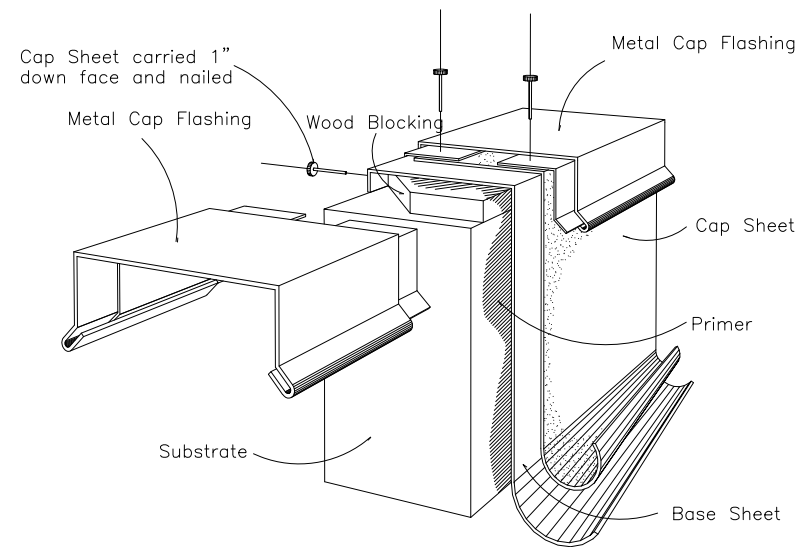
Note: Modified Bitumen stripping used in conjunction with 4 ply felt membrane is to have base sheet extend 12" onto flat and cap sheet 18" onto flat.

Plumbing Vent Flashing

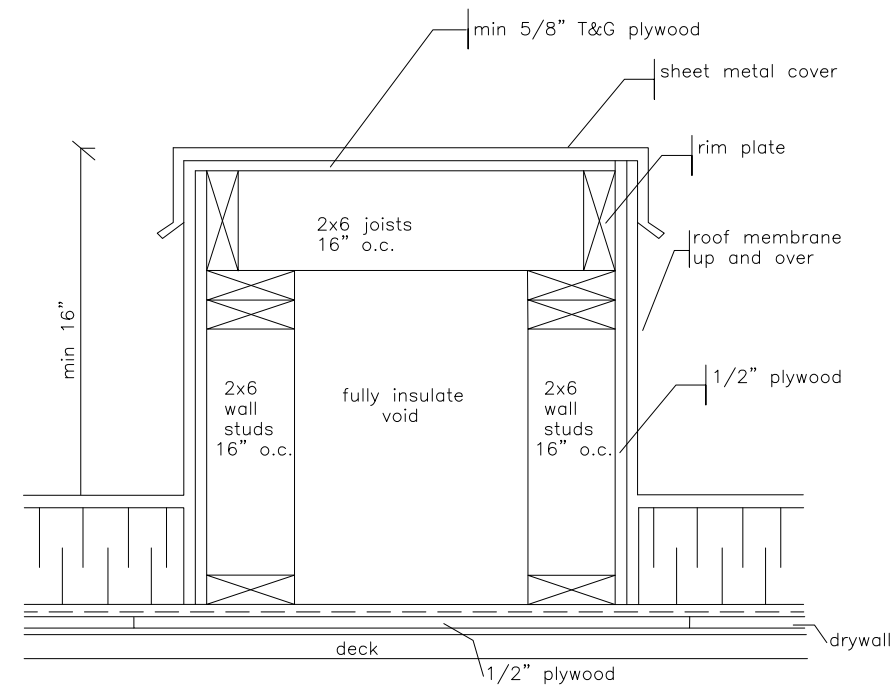


SJ-20 ALUMINUM STACK JACK (13") HIGH

Typical Parapet Cap



Covered Mechanical Curb



AGASSIZ CONSULTING GROUP	
809 Pipeline Road, Winnipeg, Manitoba Phone: 697-8091 Fax: 697-8039	
Project:	Springfield Shop 1229 Springfield Winnipeg, MB
Date:	May 3, 2011
Drawing No.	D-1
File no:	4352-11
Scale:	N.T.S.