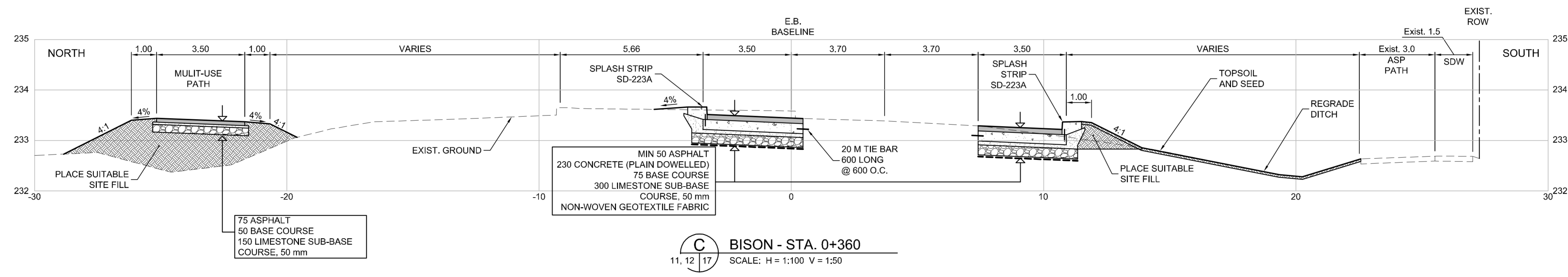
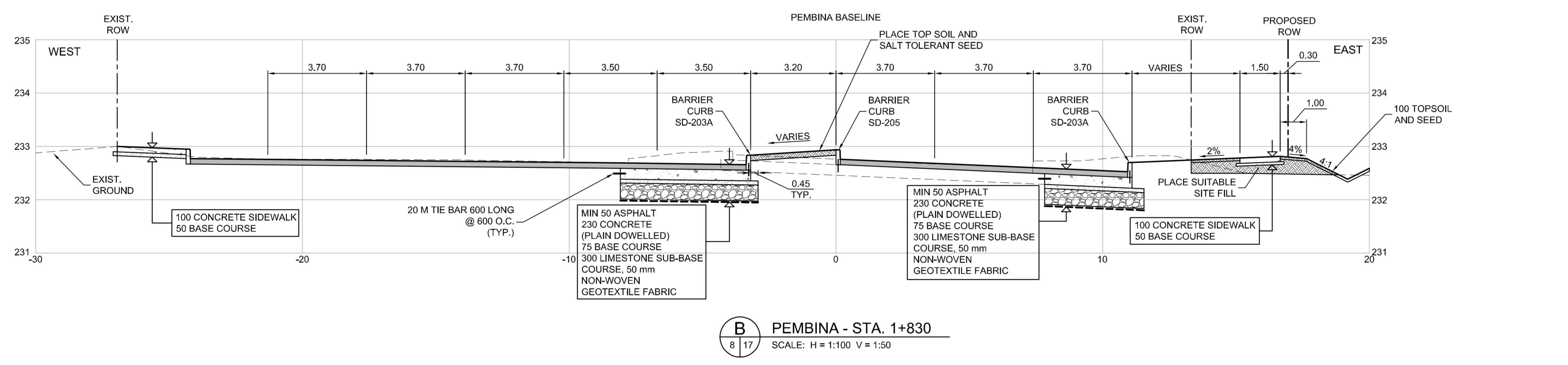
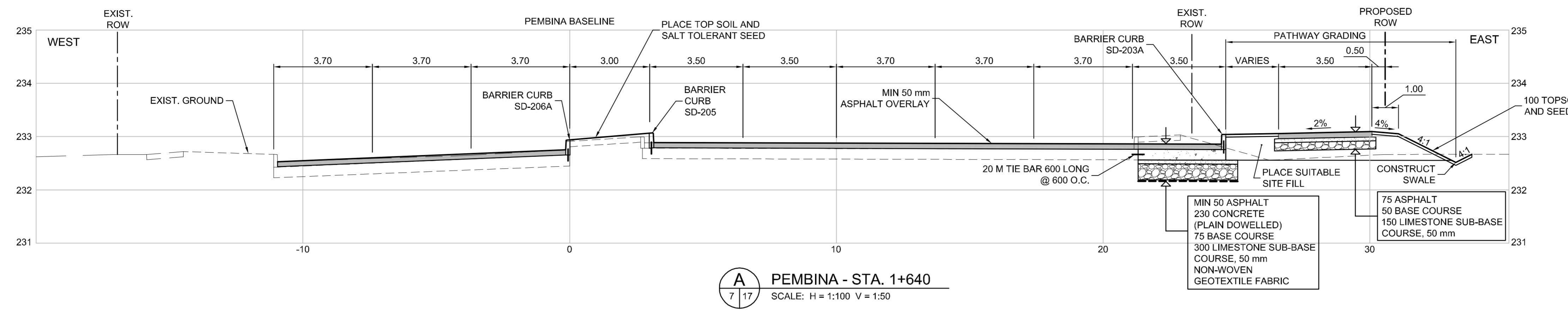


CONSTRUCTION NOTES:

1. THE CONTRACTOR MUST COMPLY WITH ALL SPECIFICATIONS OUTLINED IN E23 - OPERATING CONSTRAINTS FOR WORK IN CLOSE PROXIMITY TO FEEDERMANS.
2. PROPOSED WATERMAIN RENEWAL TO BE COMPLETED BY OTHERS IN JUNE / JULY 2011.
3. EXIST. ALUMINUM GUARDRAIL TO BE SALVAGED AND DELIVERED TO CITY YARD. IN ACCORDANCE WITH E21



METRIC

WHOLE NUMBERS INDICATE MILLIMETRES
DECIMALIZED NUMBERS INDICATE METRES

WARNING

- IF POWER EQUIPMENT OR EXPLOSIVES ARE TO BE USED FOR EXCAVATION ON THIS PROJECT THE CONTRACTOR MUST:
1. NOTIFY THE GAS COMPANY OF THE PROPOSED LOCATION OF EXCAVATION.
 2. TAKE PRECAUTION TO AVOID DAMAGE TO GAS COMPANY INSTALLATIONS SEE PROVINCIAL REGULATION 210/72 FOR DETAILS.
 3. OBTAIN EXCAVATION PERMITS PRIOR TO CONSTRUCTION.

G:\CAD\11-4587\Contract\Current\Roadway\CROSS_SECTIONS.dwg

150 MM	WATERMAIN	150 MM	HYDRO	HYDRO	150 mm W.M.	WATERMAIN	150 mm W.M.
	HYDRANT		MTS	M.T.S.		HYDRANT	
	LAND DRAINAGE SEWER		PLANING	CONCRETE		LAND DRAINAGE SEWER	
	MANHOLE		PAVING STONES	ASPHALT			
	CURB INLET		PARTIAL DEPTH REPAIR	PLANING			
	CULVERT		SURVEY BAR	ASPHALT			
	EXISTING		CURB RAMP	ASPHALT			
	LEGEND-PLAN			ASPHALT			

UNDERGROUND STRUCTURES

B.M. 654271 N 5517192.470 E 632610.651
ELEV. 233.084

DESIGNED BY RTP
DRAWN BY PMW
CHECKED BY JNC
APPROVED BY DPK

HOR. SCALE AS NOTED
VERTICAL AS NOTED

RELEASER FOR CONSTRUCTION
ORIGINAL SIGNED BY B. KIBBINS

CONSULTANT PROJECT NUMBER
11-4587

DATE 11/06/23

1 ISSUED FOR TENDER 11/06/23 JNC

NO. REVISIONS DATE BY

DILLON CONSULTING

PROVINCE OF MANITOBA
ORIGINAL STAMPED BY
J.N. CRANG
2011/06/23
REGISTERED PROFESSIONAL ENGINEER

THE CITY OF WINNIPEG
PUBLIC WORKS DEPARTMENT

BISON DRIVE & PEMBINA HIGHWAY
INTERSECTION IMPROVEMENTS

CROSS SECTIONS A, B AND C

CITY DRAWING NUMBER P-3327-17	SHEET 17 OF 24
CONSULTANT DRAWING NUMBER	