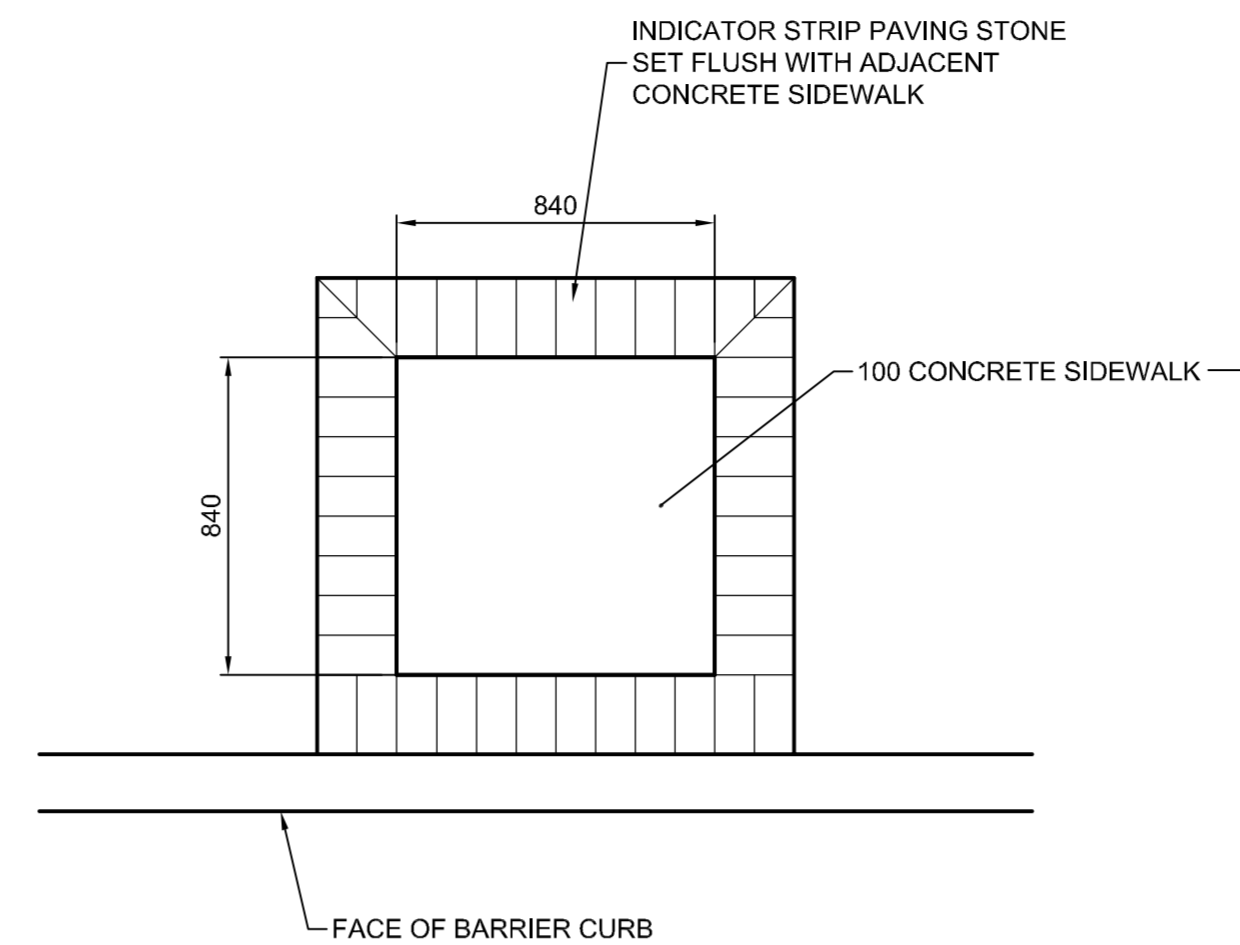
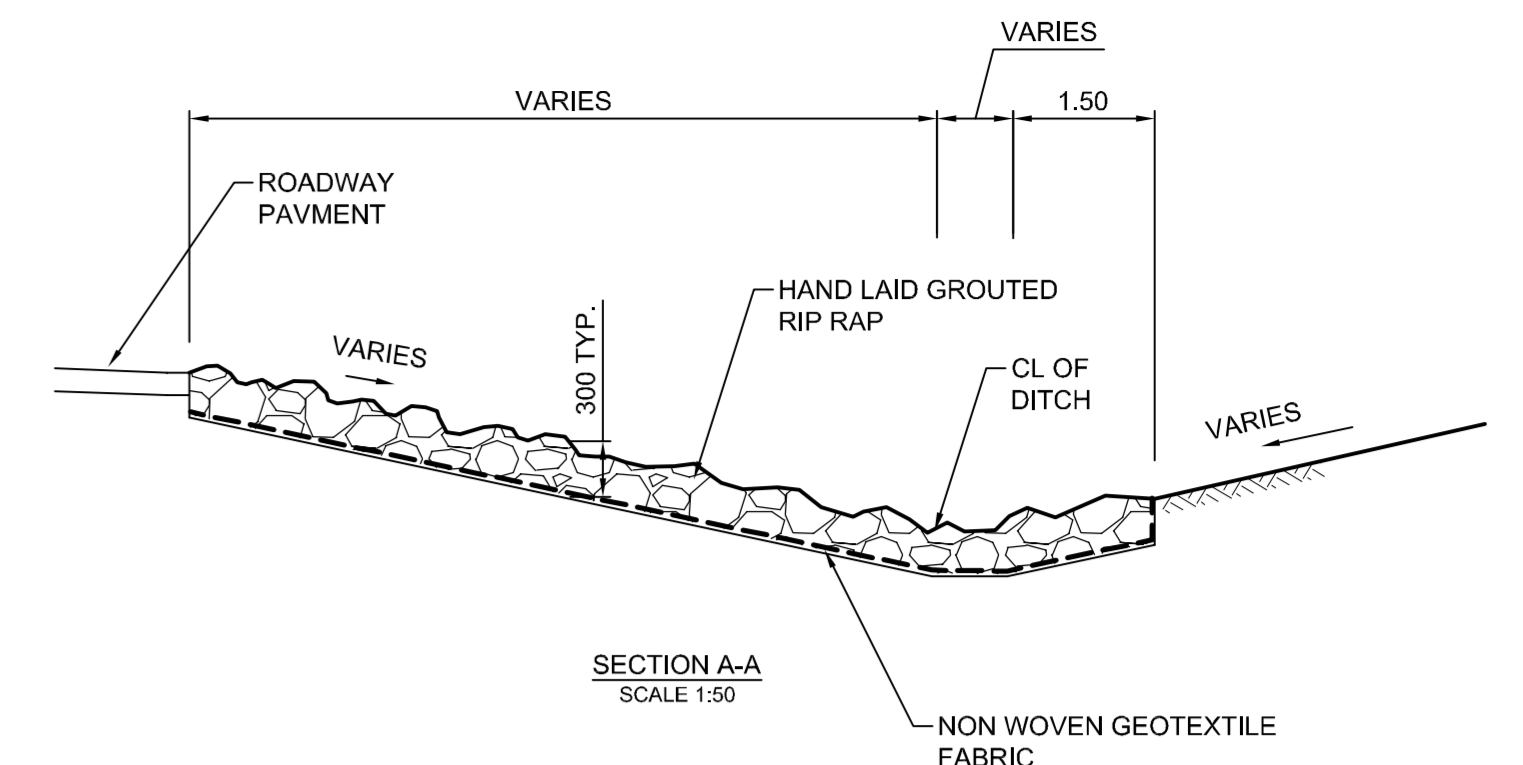


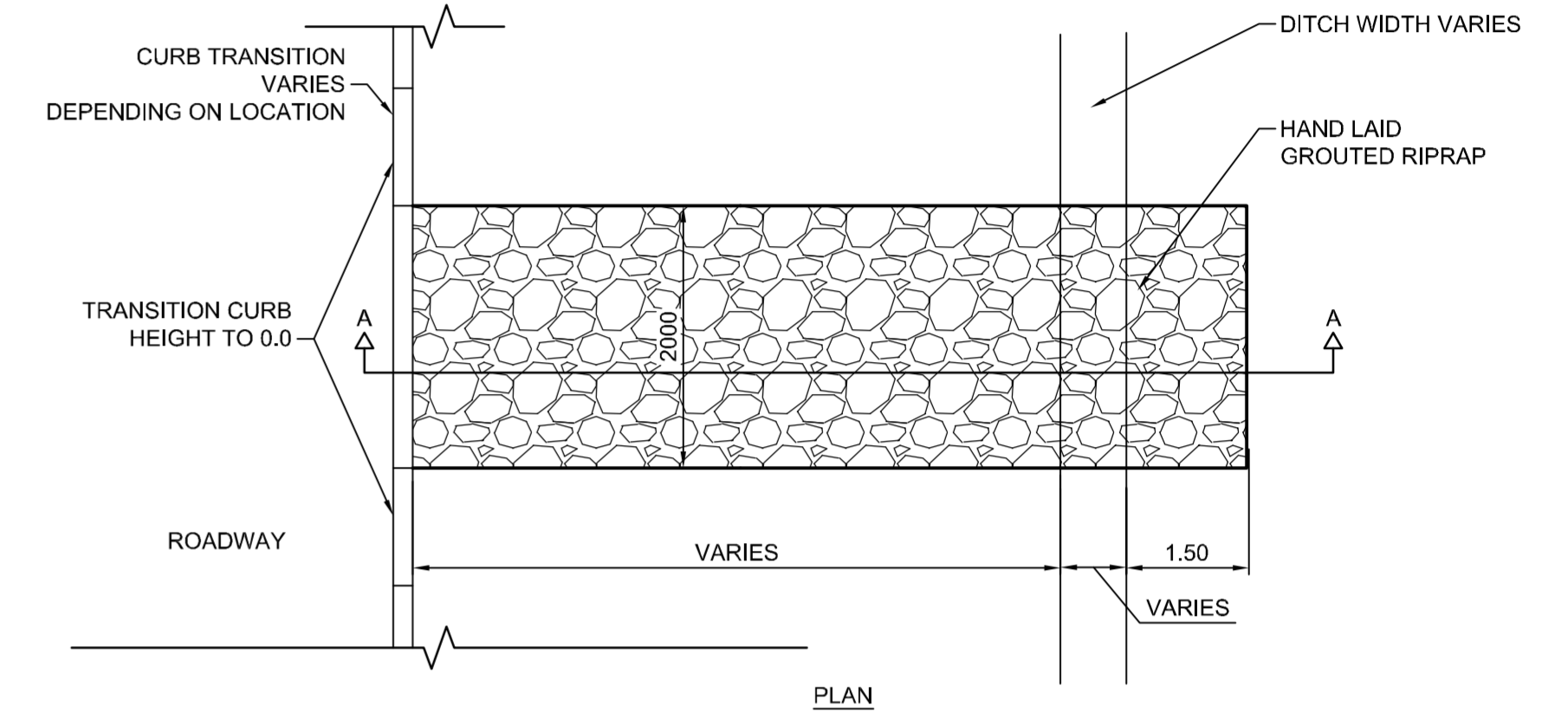
1 DETAIL - TRANSIT SHELTER FOUNDATION PLAN
SCALE NTS



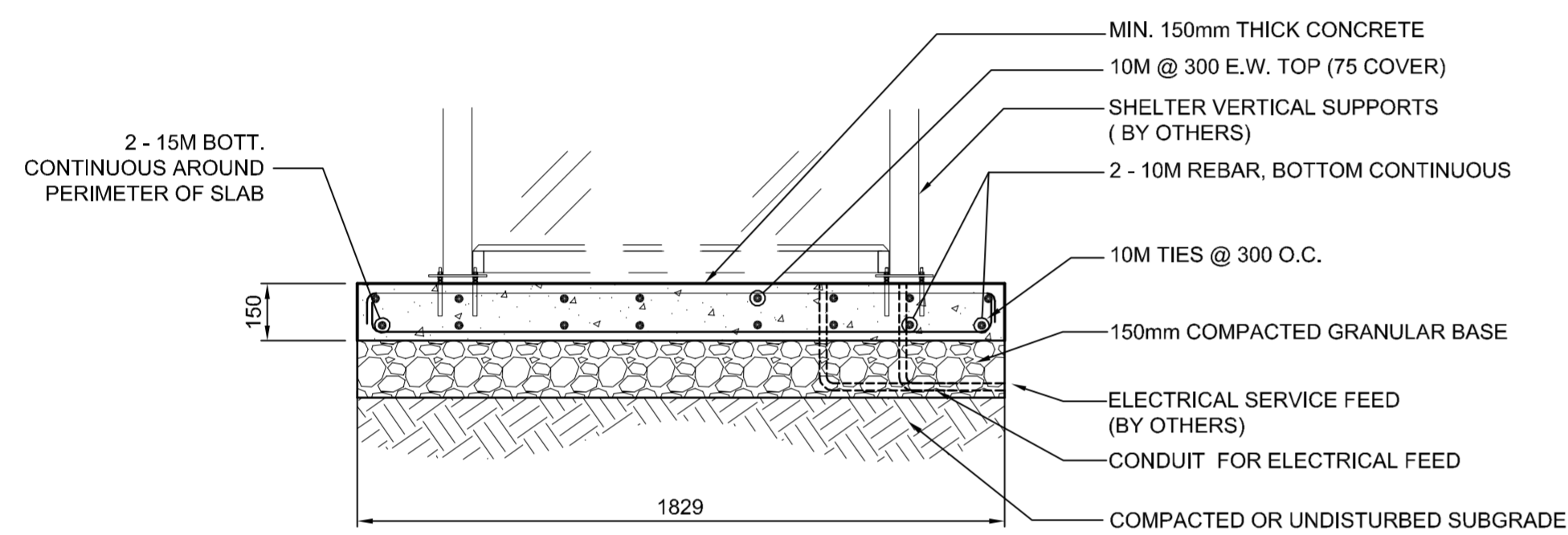
3 DETAIL - BUS STOP INDICATOR PAVING SQUARE
SCALE NTS



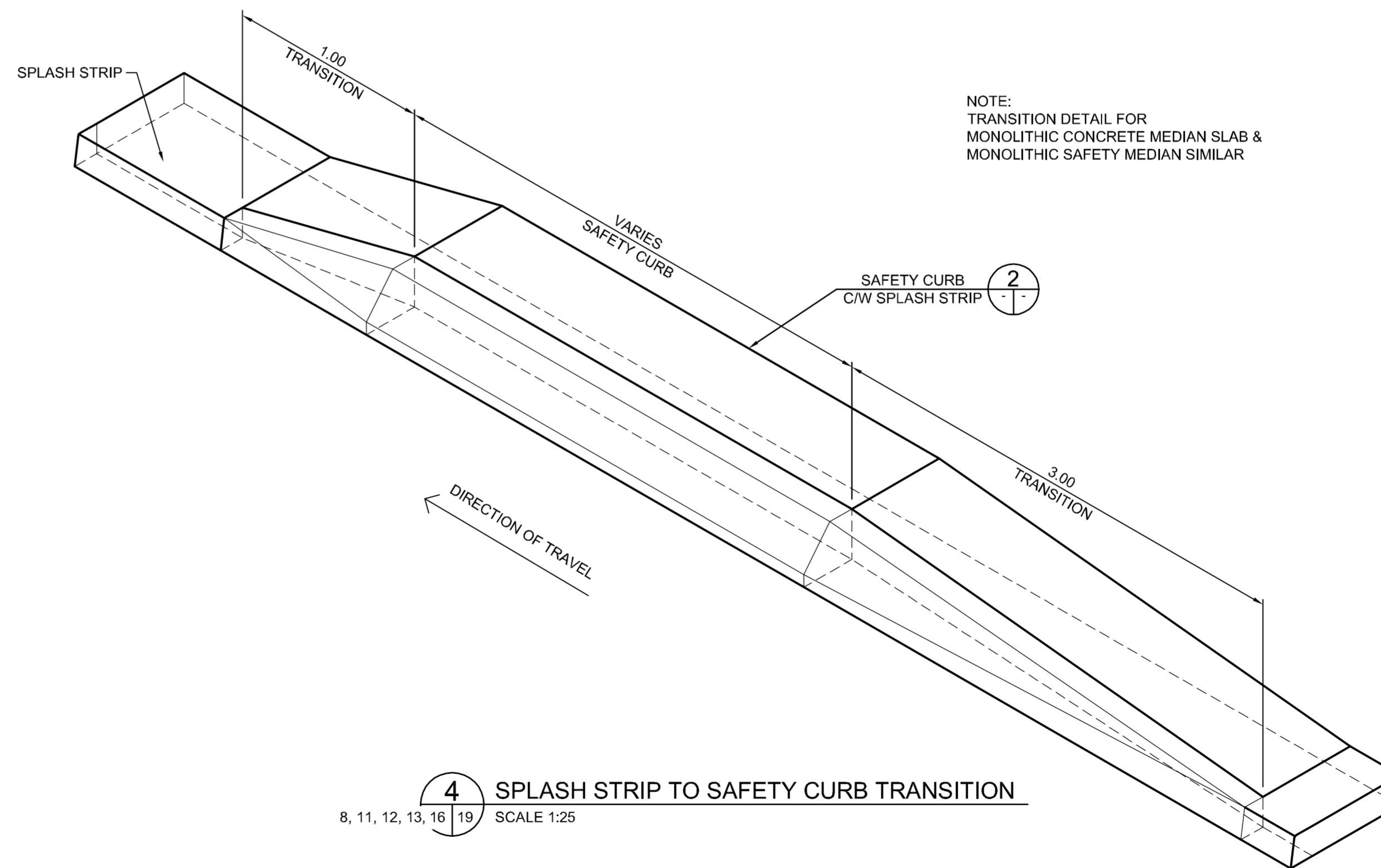
SECTION A-A
SCALE 1:50



5 GROUDED STONE RIPRAP
SCALE 1:50



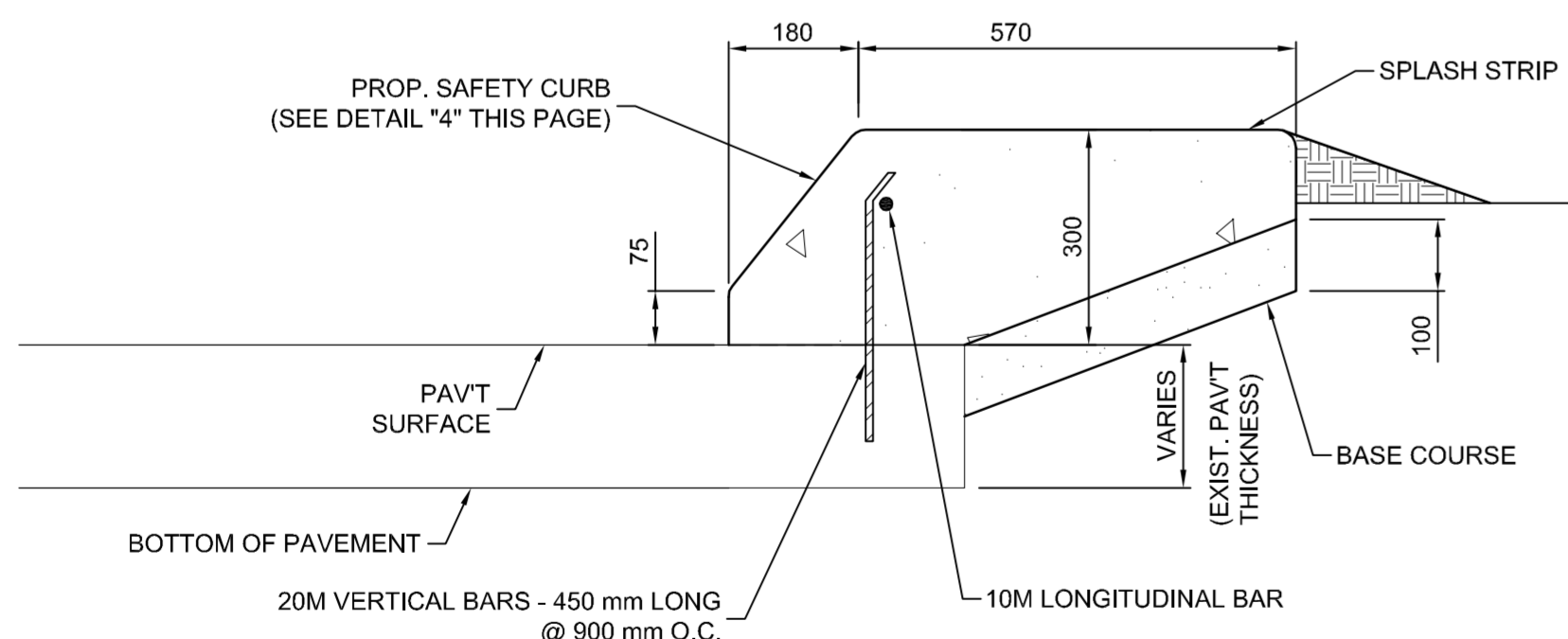
A SECTION - TRANSIT SHELTER FOUNDATION SECTION
SCALE NTS



4 SPLASH STRIP TO SAFETY CURB TRANSITION
SCALE 1:25

METRIC
WHOLE NUMBERS INDICATE MILLIMETRES
DECIMALIZED NUMBERS INDICATE METRES

WARNING
IF POWER EQUIPMENT OR EXPLOSIVES ARE TO BE USED FOR EXCAVATION ON THIS PROJECT THE CONTRACTOR MUST:
1. NOTIFY THE GAS COMPANY OF THE PROPOSED LOCATION OF EXCAVATION.
2. TAKE PRECAUTION TO AVOID DAMAGE TO GAS COMPANY INSTALLATIONS SEE PROVINCIAL REGULATION 210/72 FOR DETAILS.
3. OBTAIN EXCAVATION PERMITS PRIOR TO CONSTRUCTION.



2 DETAIL - SAFETY CURB C/W SPLASH STRIP
SCALE 1:10

150 WM	WATERMAIN	150 WM	HYDRO	HYDRO	HYDRO	150 mm W.M.	WATERMAIN	150 mm W.M.
+	HYDRANT	+	MTS	MTS	MTS	+	HYDRANT	+
+	VALVE	+				+	VALVE	+
300 LDS	LAND DRAINAGE SEWER	300 LDS				300 mm L.D.S.	LAND DRAINAGE SEWER	300 mm L.D.S.
250 WWS	WASTE WATER SEWER	250 WWS				250 mm W.W.S.	WASTE WATER SEWER	250 mm W.W.S.
○	MANHOLE	●				---	PROFILE	---
□	CATCH BASIN	■				---	NORTH/WEST GUTTER	---
▽	CURB INLET	▽				---	SOUTH/EAST GUTTER	---
---	JUNCTIONS	---				---	NORTH/WEST T/LANE	---
---	CULVERT	---				---	SOUTH/EAST T/LANE	---
100 GAS	GAS	100 GAS						
---	EXISTING	---	---	---	---	---	---	---
---	LEGEND-PLAN	---	---	---	---	---	---	---
---	PROPOSED	---	---	---	---	---	---	---
---	EXISTING	---	---	---	---	---	---	---
---	LEGEND-PLAN	---	---	---	---	---	---	---
---	PROPOSED	---	---	---	---	---	---	---
---	EXISTING	---	---	---	---	---	---	---
---	LEGEND-PROFILE	---	---	---	---	---	---	---
---	PROPOSED	---	---	---	---	---	---	---

UNDERGROUND STRUCTURES
SUPPLY U/G STRUCTURES COMMITTEE DATE
NOTE:
LOCATION OF UNDERGROUND STRUCTURES AS SHOWN ARE BASED ON THE BEST INFORMATION AVAILABLE BUT NO GUARANTEE IS GIVEN THAT ALL EXISTING UTILITIES ARE SHOWN OR THAT THE GIVEN LOCATIONS ARE EXACT. CONFIRMATION OF EXISTENCE AND EXACT LOCATION OF ALL SERVICES MUST BE OBTAINED FROM THE INDIVIDUAL UTILITIES BEFORE PROCEEDING WITH CONSTRUCTION.

B.M.	654271 N 5517192.470 E 632610.651
ELEV.	233.084
DESIGNED BY	RTP
DRAWN BY	PMW
CHECKED BY	JNC
APPROVED BY	DPK
HOR. SCALE	AS NOTED
VERTICAL	
1	ISSUED FOR TENDER 11/06/23 JNC
NO.	REVISIONS DATE BY
	2011/06/23

RELEASED FOR CONSTRUCTION
ORIGINAL SIGNED BY B. KIBBINS
DATE 11/06/23

DILLON CONSULTING

ENGINEER'S SEAL
PROVINCE OF MANITOBA
ORIGINAL STAMPED BY
J.N. CRANG
2011/06/23
REGISTERED PROFESSIONAL ENGINEER
CONSULTANT PROJECT NUMBER
11-4587

THE CITY OF WINNIPEG PUBLIC WORKS DEPARTMENT

BISON DRIVE & PEMBINA HIGHWAY INTERSECTION IMPROVEMENTS

CITY DRAWING NUMBER P-3327-19
SHEET 19 OF 24
CONSULTANT DRAWING NUMBER

DETAILS 1, 2, 3, 4 AND 5