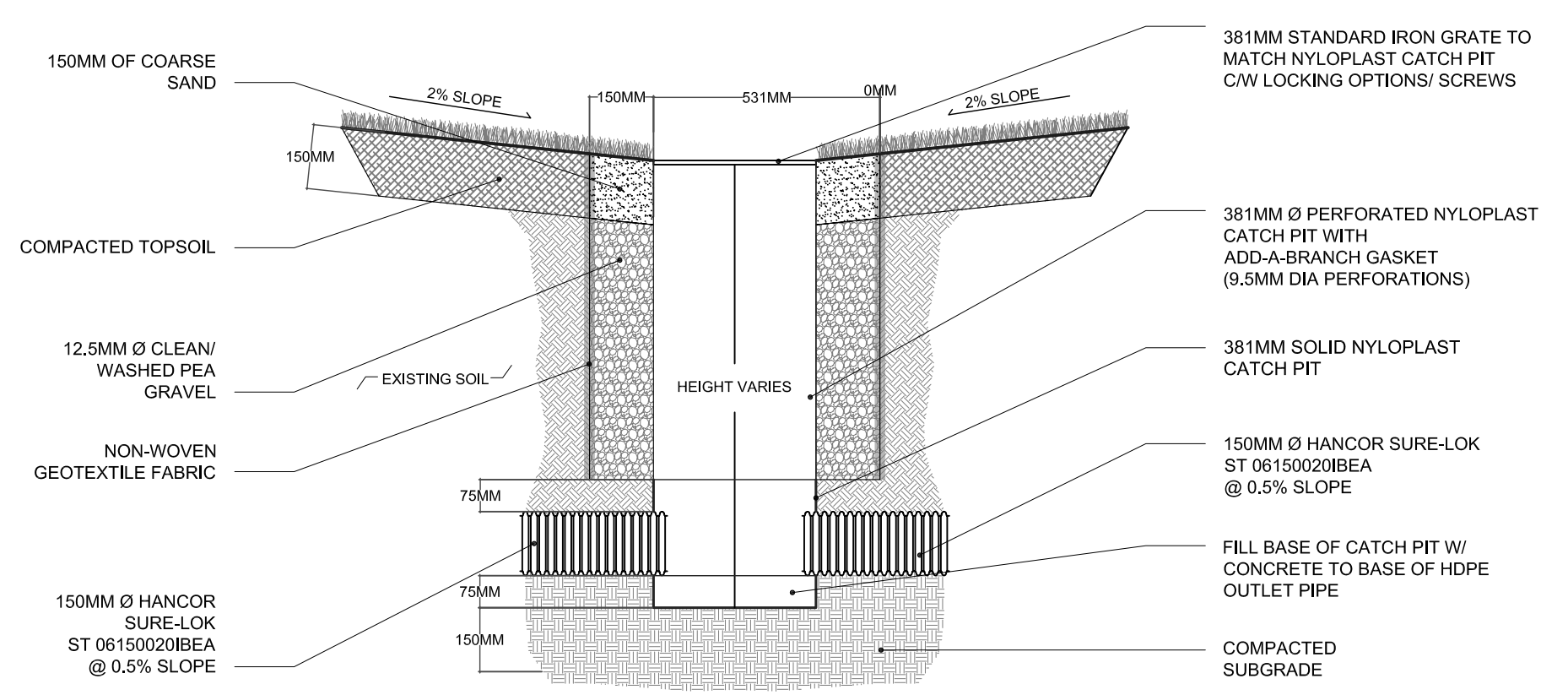
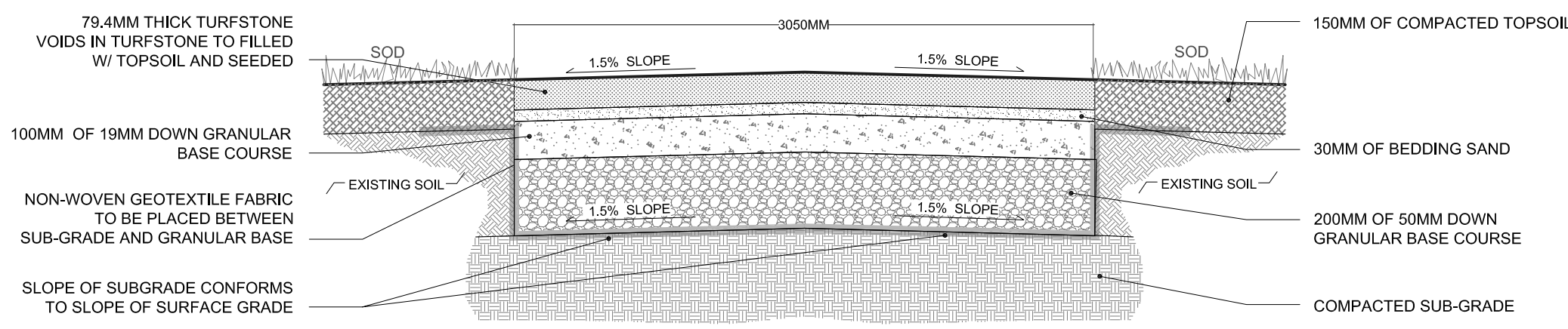


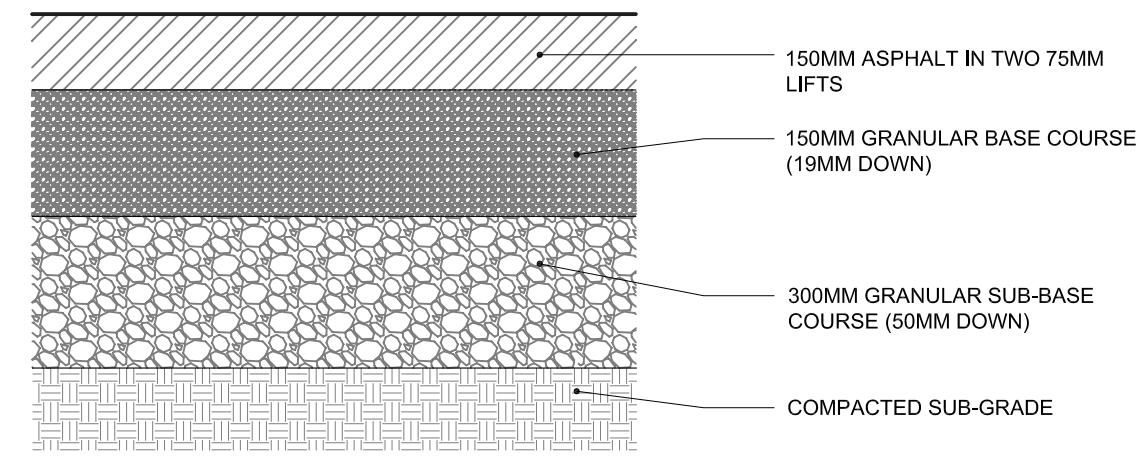
D1 SECTION THROUGH 600MM NYLOPLAST CATCH PIT
L5 SCALE 1:15



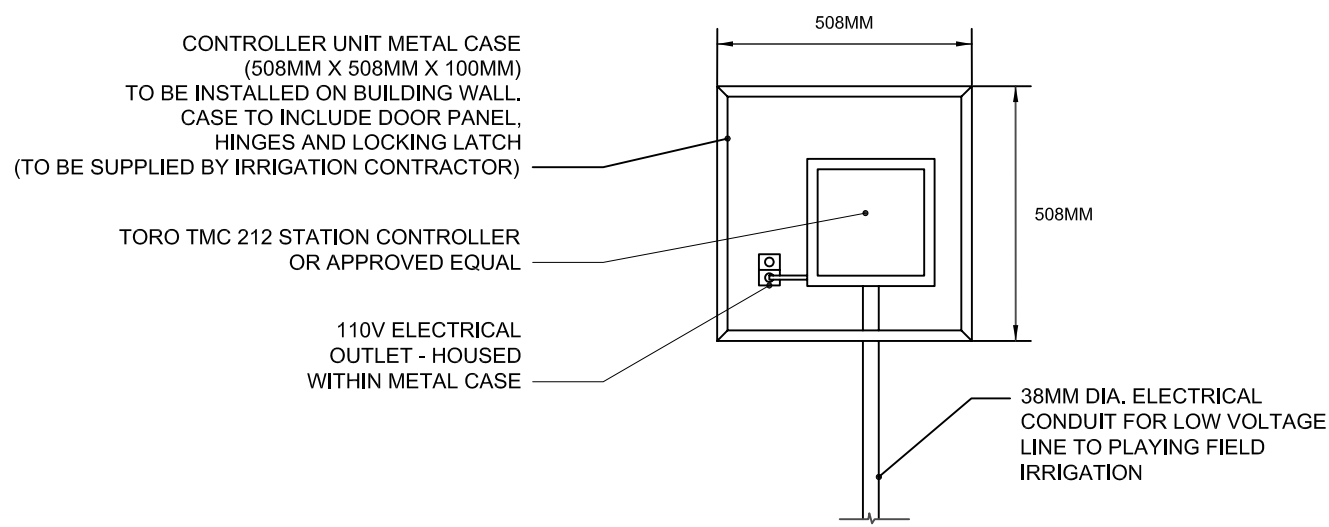
D2 SECTION THROUGH 381MM NYLOPLAST CATCH PIT
L5 SCALE 1:15



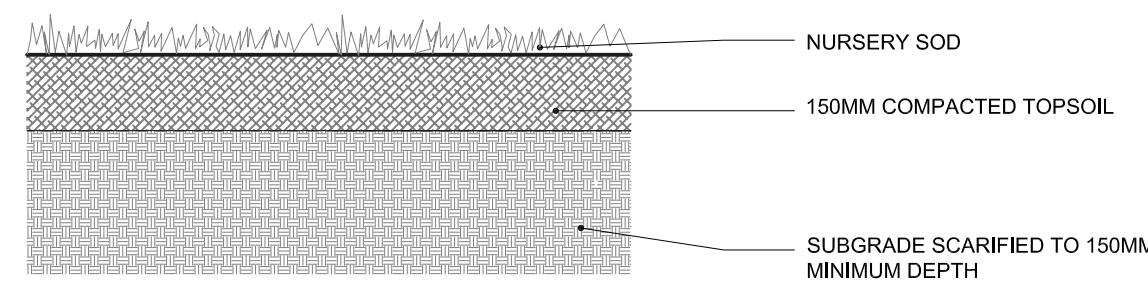
D3 TYPICAL SECTION THROUGH TURFSTONE SERVICE ROAD
L5 SCALE 1:15



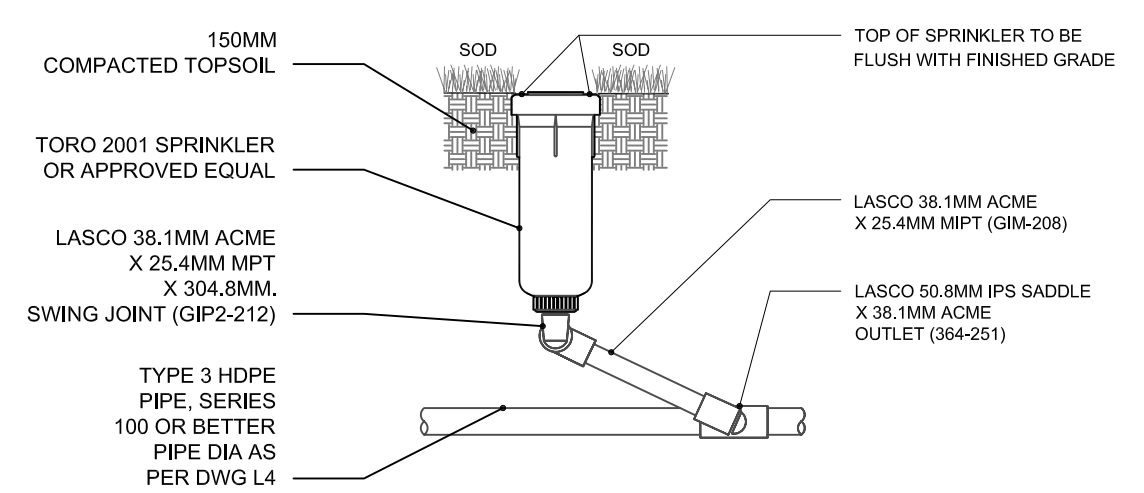
D4 TYPICAL SECTION THROUGH ASPHALT PAVING
L5 SCALE 1:15



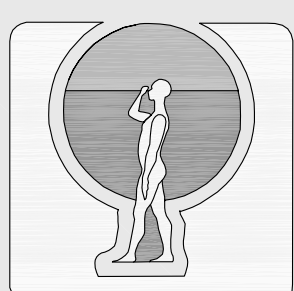
D5 IRRIGATION CONTROLLER & WATER HOOK UP
L5 SCALE 1:15



D6 TYPICAL SODDING
L5 SCALE 1:15



D7 SECTION SHOWING SPRINKLER, SWING JOINT & PIPE ASSEMBLY
L5 SCALE 1:15



LOMBARD NORTH GROUP
PLANNERS AND LANDSCAPE ARCHITECTS
505-93 LOMBARD AVENUE
WINNIPEG, MANITOBA
CANADA R2S 3B1
TEL 204.943.3896 FAX 204.947.5696



PROJECT TITLE
ST VITAL PARK
ATHLETIC FIELD
DEVELOPMENT
WINNIPEG, MANITOBA

DRAWING
L5
CONSTRUCTION DETAILS

DATE 06.08.2011
SCALE AS SHOWN
DESIGNED BY CN
DRAWN BY WS TM
APPROVED BY CN

NOTE
1. SOD ENTIRE PROJECT AREA TO THE LIMIT OF WORK (REFER TO D6, L5)
2. SERVICES ARE TO BE INSTALLED IN ACCORDANCE WITH THE LATEST REVISIONS OF THE CITY OF WINNIPEG STANDARD SPECIFICATIONS

| | | |
|---|---------------|----------|
| 5 | | |
| 4 | | |
| 3 | | |
| 2 | | |
| 1 | | |
| 0 | REVISION NOTE | DD.MM.YY |
| | DESCRIPTION | DATE |