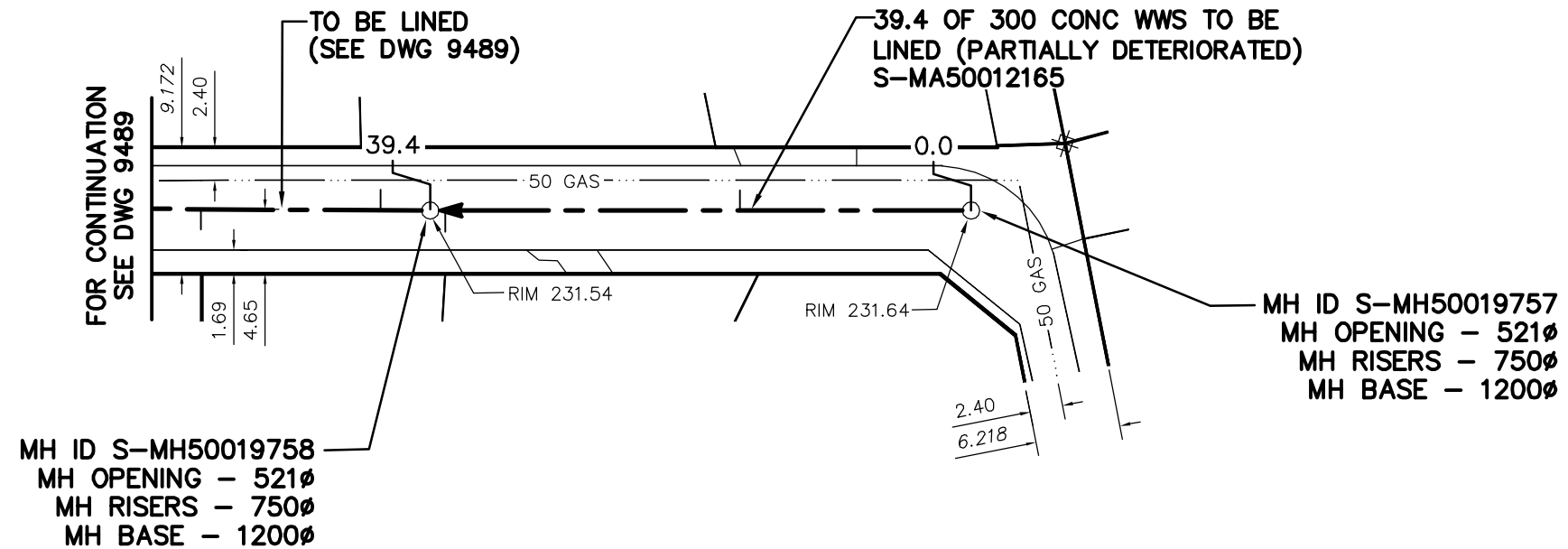
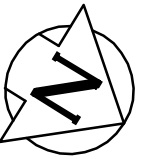


BACKLANE E OF DUNKIRK DRIVE



SEWER JUNCTION INFORMATION FROM SEWER VIDEO INSPECTION SEWER ID S-MA50012165				
DISTANCE FROM MH ID S-MH50019757				
16.8	S	150Ø	WEST	JN
38.3	S	150Ø	EAST	JN

ENGINEER'S SEAL

**ORIGINAL
SIGNED BY
S.R.J.
COURNOYER
11-03-18**

BID OPPORTUNITY No: 49-2011
FILENAME : 9488.dwg
PLOT DATE : 2011 03 22

LEGEND:

52.0 | MEASUREMENT TO REPAIR FROM REFERENCE MH SHOWN THUS... 0.0

METRIC

WHOLE NUMBERS INDICATE MILLIMETRES
DECIMALIZED NUMBERS INDICATE METRES

B.M. ELEV.	FIELD BOOK #:	CITY OF WINNIPEG WATER AND WASTE ENGINEERING DIVISION		THE CITY OF WINNIPEG WATER AND WASTE DEPARTMENT	
POSTED TO LBS		DESIGNED BY SC	CHECKED BY SC	2011 SEWER RENEWALS BY CIPP LINING, CONTRACT 14	
		DRAWN BY RS	APPROVED BY KZ	BACKLANE E OF DUNKIRK DRIVE	
		HOR. SCALE 1:500	RELEASED FOR CONSTRUCTION KAS ZUREK	2ND MH N OF WEST FERNWOOD AVENUE TO 1ST MH N OF WEST FERNWOOD AVENUE	
		NO. REVISIONS	DATE BY	DATE 2011 03 18	DATE 11-03-22
				SHEET 10 OF 85	CITY DRAWING NUMBER
				9488	