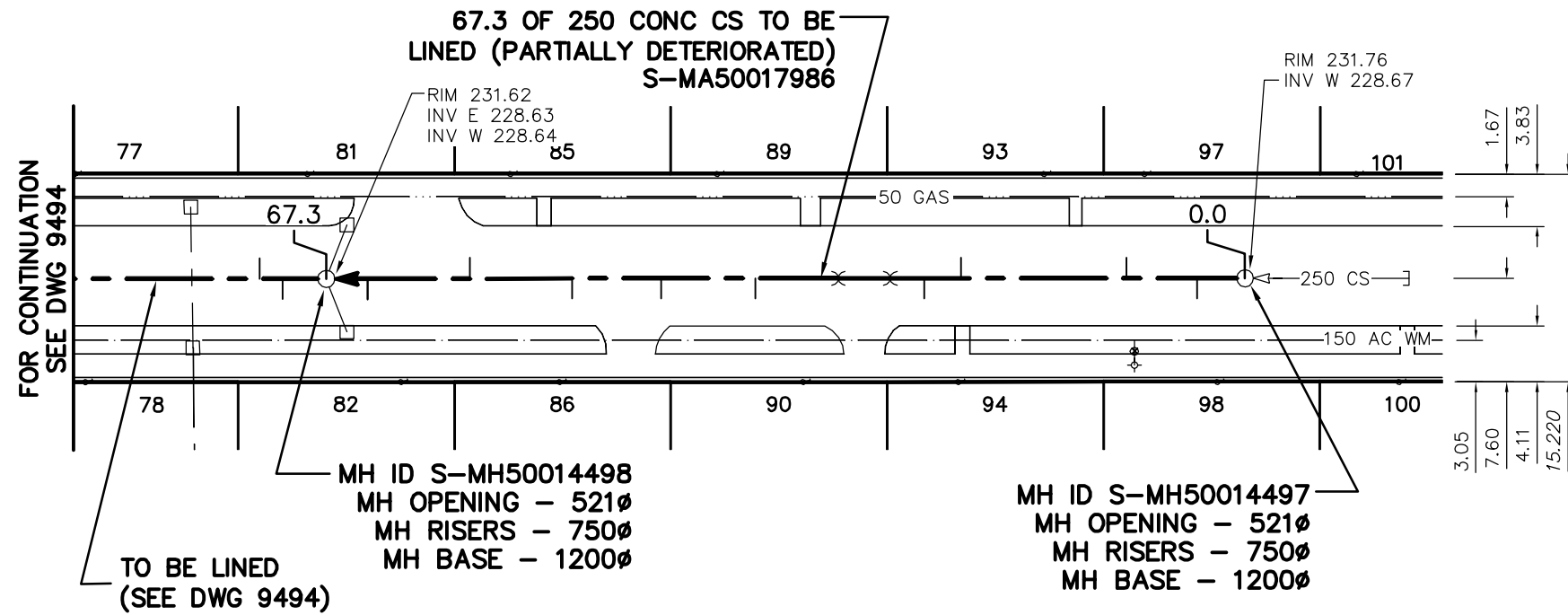
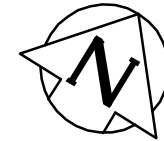


# HAVELOCK AVENUE



SEWER JUNCTION INFORMATION  
FROM SEWER VIDEO INSPECTION  
SEWER ID S-MA50017986

DISTANCE FROM MH ID S-MH50014497

|      |   |      |       |     |
|------|---|------|-------|-----|
| 3.5  | W | 150Ø | SOUTH | CN  |
| 8.7  | W | 150Ø | NORTH | CNI |
| 20.6 | W | 150Ø | NORTH | CXI |
| 23.5 | W | 150Ø | SOUTH | JN  |
| 35.9 | W | 150Ø | SOUTH | JN  |
| 42.8 | W | 150Ø | SOUTH | CNI |
| 49.3 | W | 150Ø | SOUTH | CNI |
| 56.8 | W | 150Ø | NORTH | JN  |
| 64.3 | W | 150Ø | SOUTH | CNI |

ENGINEER'S SEAL

ORIGINAL  
SIGNED BY  
S.R.J.  
COURNOYER  
11-03-18

BID OPPORTUNITY No: 49-2011

FILENAME : 9493\_9495.dwg

PLOT DATE : 2011 03 22

**LEGEND:**

52.0 | MEASUREMENT TO REPAIR FROM REFERENCE MH SHOWN THUS...

## METRIC

WHOLE NUMBERS INDICATE MILLIMETRES  
DECIMALIZED NUMBERS INDICATE METRES

|                |               |                                                                                  |  |  |                                                                                                                                                                                                           |                                                                                                                                             |
|----------------|---------------|----------------------------------------------------------------------------------|--|--|-----------------------------------------------------------------------------------------------------------------------------------------------------------------------------------------------------------|---------------------------------------------------------------------------------------------------------------------------------------------|
| B.M. ELEV.     | FIELD BOOK #: | <b>CITY OF WINNIPEG</b><br><b>WATER AND WASTE</b><br><b>ENGINEERING DIVISION</b> |  |  | <b>THE CITY OF WINNIPEG</b><br><b>WATER AND WASTE DEPARTMENT</b>                                                                                                                                          |                                                                                                                                             |
| POSTED TO LBIS |               |                                                                                  |  |  | DESIGNED BY: SC<br>CHECKED BY: SC<br>DRAWN BY: RS<br>APPROVED BY: KZ<br>HOR. SCALE: 1:500<br>VERTICAL: RELEASED FOR CONSTRUCTION<br>KAS ZUREK<br>NO. REVISIONS: DATE: BY: DATE: 2011 03 18 DATE: 11-03-22 | 2011 SEWER RENEWALS<br>BY CIPP LINING, CONTRACT 14<br><b>HAVELOCK AVENUE</b><br>2ND MH E OF NEEPAWA STREET TO<br>1ST MH E OF NEEPAWA STREET |