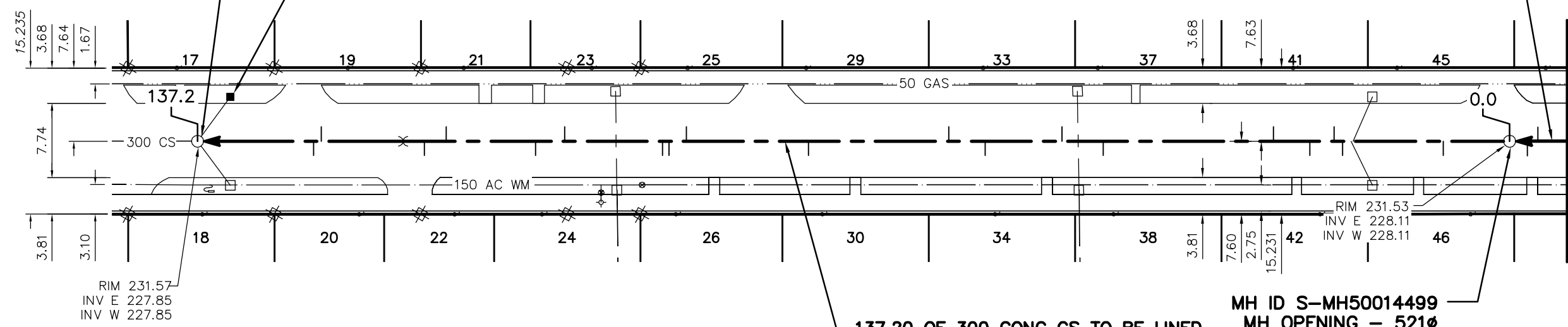


# HAVELOCK AVENUE

MH ID S-MH50014500  
 MH OPENING - 521Ø  
 MH RISERS - 750Ø  
 MH BASE - 1200Ø

REPLACE CB WITH 1800 CB  
 (SD-024).  
 (TO BE DONE BY OTHERS)

TO BE LINED  
 (SEE DWG 9494)



RIM 231.57  
 INV E 227.85  
 INV W 227.85

MH ID S-MH50014499  
 MH OPENING - 521Ø  
 MH RISERS - 750Ø  
 MH BASE - 1200Ø

137.20 OF 300 CONC CS TO BE LINED  
 (FULLY DETERIORATED)  
 S-MA50017988

FOR CONTINUATION  
 SEE DWG 9494

SEWER JUNCTION INFORMATION  
 FROM SEWER VIDEO INSPECTION  
 SEWER ID S-MA50017988

DISTANCE FROM MH ID S-MH50014499				
6.9	W	150Ø	SOUTH	CNI
17.4	W	150Ø	SOUTH	CNI
18.3	W	150Ø	NORTH	CNI
20.8	W	150Ø	SOUTH	CXI
24.6	W	150Ø	NORTH	CN
42.3	W	150Ø	SOUTH	CNI
46.6	W	150Ø	NORTH	CN
54.6	W	150Ø	SOUTH	CX
58.4	W	150Ø	NORTH	JN
73.0	W	150Ø	SOUTH	JN
74.5	W	150Ø	NORTH	JN
85.7	W	150Ø	NORTH	CNI
87.5	W	150Ø	SOUTH	CNI
88.2	W	150Ø	SOUTH	JN
98.4	W	150Ø	NORTH	JN
101.5	W	150Ø	SOUTH	JN
110.7	W	150Ø	NORTH	JN
113.0	W	150Ø	SOUTH	JN
123.7	W	150Ø	NORTH	JN
124.5	W	150Ø	SOUTH	JX

ENGINEER'S SEAL

**ORIGINAL  
 SIGNED BY  
 S.R.J.  
 COURNOYER  
 11-03-18**

BID OPPORTUNITY No: 49-2011  
 FILENAME : 9493\_9495.dwg  
 PLOT DATE : 2011 03 22

LEGEND:  
 52.0 | MEASUREMENT TO REPAIR FROM REFERENCE MH SHOWN THUS...

**METRIC**  
 WHOLE NUMBERS INDICATE MILLIMETRES  
 DECIMALIZED NUMBERS INDICATE METRES

B.M. ELEV.	FIELD BOOK #:	<b>CITY OF WINNIPEG WATER AND WASTE ENGINEERING DIVISION</b>		<b>THE CITY OF WINNIPEG WATER AND WASTE DEPARTMENT</b>	
POSTED TO LBIS		DESIGNED BY: SC	CHECKED BY: SC	2011 SEWER RENEWALS BY CIPP LINING, CONTRACT 14	
		DRAWN BY: RS	APPROVED BY: KZ	<b>HAVELOCK AVENUE</b>	
		HOR. SCALE: 1:500	RELEASED FOR CONSTRUCTION: KAS ZUREK	1ST MH W OF NEEPAWA STREET TO 2ND MH W OF NEEPAWA STREET	
		VERTICAL	DATE: 2011 03 18	SHEET 17 OF 85 CITY DRAWING NUMBER <b>9495</b>	
NO. REVISIONS	DATE BY	DATE	DATE		