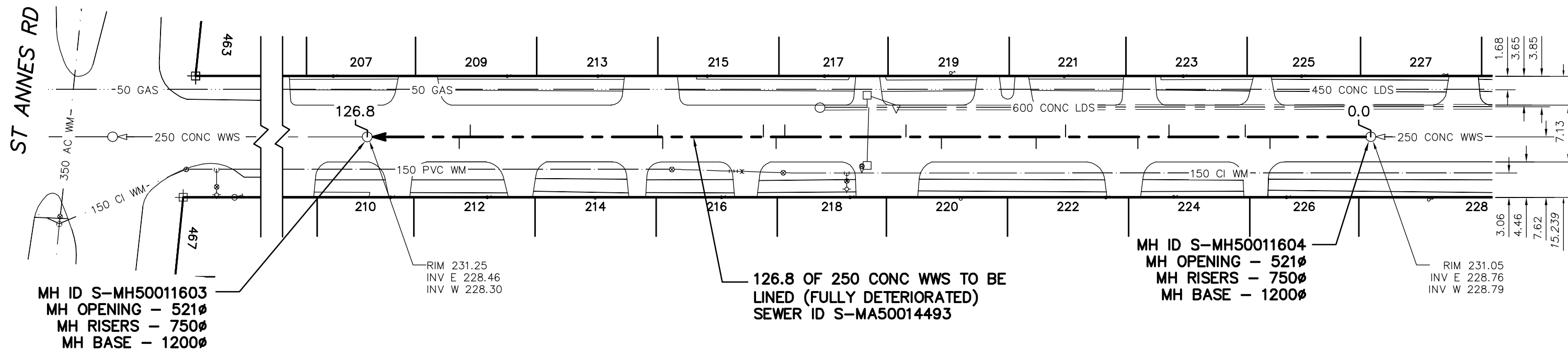


HINDLEY AVENUE



MH ID S-MH50011603
 MH OPENING - 521Ø
 MH RISERS - 750Ø
 MH BASE - 1200Ø

126.8 OF 250 CONC WWS TO BE LINED (FULLY DETERIORATED)
 SEWER ID S-MA50014493

MH ID S-MH50011604
 MH OPENING - 521Ø
 MH RISERS - 750Ø
 MH BASE - 1200Ø

RIM 231.05
 INV E 228.76
 INV W 228.79

SEWER JUNCTION INFORMATION FROM SEWER VIDEO INSPECTION SEWER ID S-MA50014493				
DISTANCE FROM MH ID S-MH50011604				
12.7	W	150Ø	SOUTH	CNI
15.8	W	150Ø	NORTH	JN
25.4	W	150Ø	NORTH	CNI
29.3	W	150Ø	SOUTH	CNI
38.4	W	150Ø	NORTH	JN
42.1	W	150Ø	SOUTH	CNI
54.0	W	150Ø	SOUTH	CNI
58.5	W	150Ø	NORTH	JN
73.7	W	150Ø	NORTH	CNI
74.8	W	150Ø	SOUTH	CNI
76.4	W	150Ø	NORTH	CNI
89.1	W	150Ø	SOUTH	JN
89.7	W	150Ø	NORTH	CN
100.7	W	150Ø	SOUTH	CNI
104.8	W	150Ø	NORTH	CNI
113.3	W	150Ø	NORTH	CN
114.7	W	150Ø	SOUTH	CNI

ENGINEER'S SEAL

**ORIGINAL
 SIGNED BY
 S.R.J.
 COURNOYER
 11-03-18**

BID OPPORTUNITY No: 49-2011
 FILENAME : 9500.dwg
 PLOT DATE : 2011 03 22

LEGEND:
 52.0 | MEASUREMENT TO REPAIR FROM REFERENCE MH SHOWN THUS...

METRIC
 WHOLE NUMBERS INDICATE MILLIMETRES
 DECIMALIZED NUMBERS INDICATE METRES

B.M. ELEV.	FIELD BOOK #:	CITY OF WINNIPEG WATER AND WASTE ENGINEERING DIVISION			THE CITY OF WINNIPEG WATER AND WASTE DEPARTMENT
POSTED TO LBIS		DESIGNED BY: SC	CHECKED BY: SC		
		DRAWN BY: KB	APPROVED BY: KZ	HINDLEY AVENUE	SHEET 22 OF 85
		HOR. SCALE: 1:500	RELEASED FOR CONSTRUCTION: KAS ZUREK	2ND MH E OF ST ANNES ROAD TO 1ST MH E OF ST ANNES ROAD	CITY DRAWING NUMBER
		VERTICAL			9500
NO. REVISIONS	DATE	BY	DATE	2011 03 18	DATE
				11-03-22	