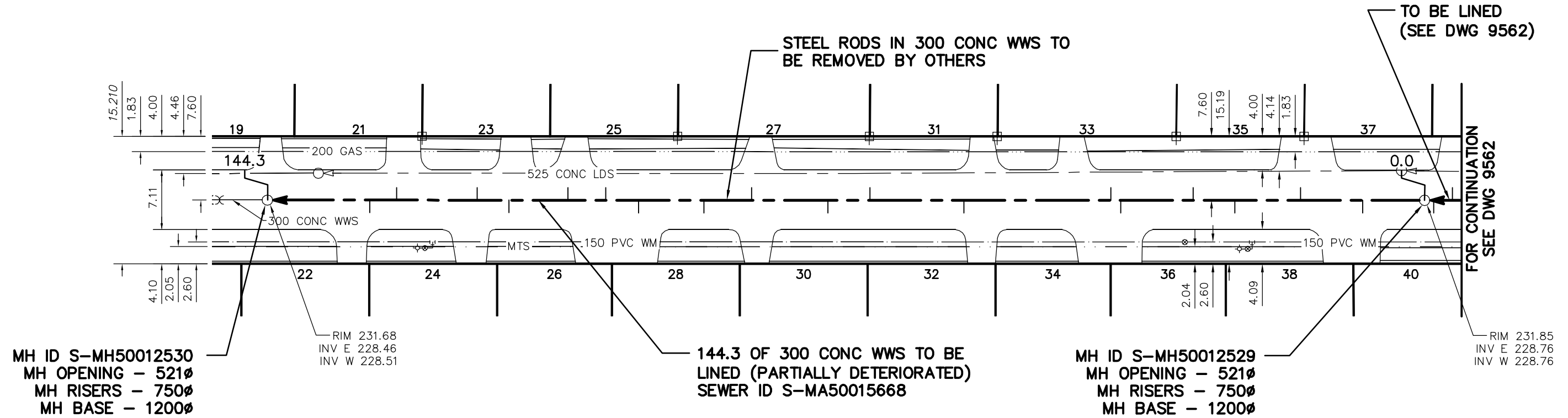




# WORTHINGTON AVENUE



**MH ID S-MH50012530**  
**MH OPENING - 521Ø**  
**MH RISERS - 750Ø**  
**MH BASE - 1200Ø**

RIM 231.68  
 INV E 228.46  
 INV W 228.51

**144.3 OF 300 CONC WWS TO BE LINED (PARTIALLY DETERIORATED)**  
**SEWER ID S-MA50015668**

**MH ID S-MH50012529**  
**MH OPENING - 521Ø**  
**MH RISERS - 750Ø**  
**MH BASE - 1200Ø**

RIM 231.85  
 INV E 228.76  
 INV W 228.76

SEWER JUNCTION INFORMATION FROM SEWER VIDEO INSPECTION  
 SEWER ID S-MA50015668

DISTANCE FROM MH ID S-MH50012529				
7.4	W	150Ø	SOUTH	CN
14.8	W	150Ø	NORTH	CNI
22.6	W	150Ø	SOUTH	CNI
27.6	W	150Ø	NORTH	CNI
36.2	W	150Ø	SOUTH	CNI
37.4	W	150Ø	NORTH	CNI
54.9	W	150Ø	SOUTH	CXI
66.1	W	150Ø	NORTH	CNI
71.1	W	150Ø	SOUTH	CNI
80.2	W	150Ø	NORTH	CNI
85.9	W	150Ø	SOUTH	CN
93.7	W	150Ø	SOUTH	CNI

\*\*\*REVERSAL REQUIRED\*\*\*

SEWER JUNCTION INFORMATION FROM SEWER VIDEO INSPECTION  
 SEWER ID S-MA50015668

DISTANCE FROM MH ID S-MH50012530				
12.2	E	150Ø	SOUTH	JN
15.4	E	150Ø	NORTH	CNI
25.0	E	150Ø	NORTH	CNI
28.8	E	150Ø	SOUTH	CNI
35.8	E	150Ø	NORTH	CNI
40.3	E	150Ø	NORTH	CNI

ENGINEER'S SEAL

**ORIGINAL  
 SIGNED BY  
 S.R.J.  
 COURNOYER  
 11-03-18**

BID OPPORTUNITY No: 49-2011  
 FILENAME : 9562\_9563.dwg  
 PLOT DATE : 2011 03 23

**LEGEND:**  
 52.0 | MEASUREMENT TO REPAIR FROM REFERENCE MH SHOWN THUS...

**METRIC**  
 WHOLE NUMBERS INDICATE MILLIMETRES  
 DECIMALIZED NUMBERS INDICATE METRES

B.M. ELEV.	FIELD BOOK #:	<b>CITY OF WINNIPEG        WATER AND WASTE        ENGINEERING DIVISION</b>		<b>THE CITY OF WINNIPEG        WATER AND WASTE DEPARTMENT</b>	
POSTED TO LBS		DESIGNED BY: SC	CHECKED BY: SC	<b>2011 SEWER RENEWALS        BY CIPP LINING, CONTRACT 14        WORTHINGTON AVENUE        1ST MH W OF ERIC STREET TO        2ND MH W OF ERIC STREET</b>	
		DRAWN BY: RS	APPROVED BY: KZ	SHEET <b>85</b> OF <b>85</b>	
		HOR. SCALE: 1:500	RELEASED FOR CONSTRUCTION: KAS ZUREK	CITY DRAWING NUMBER	
		VERTICAL:	DATE: 2011 03 18	<b>9563</b>	
NO. REVISIONS	DATE BY	DATE: 2011 03 18	DATE: 11-03-22		