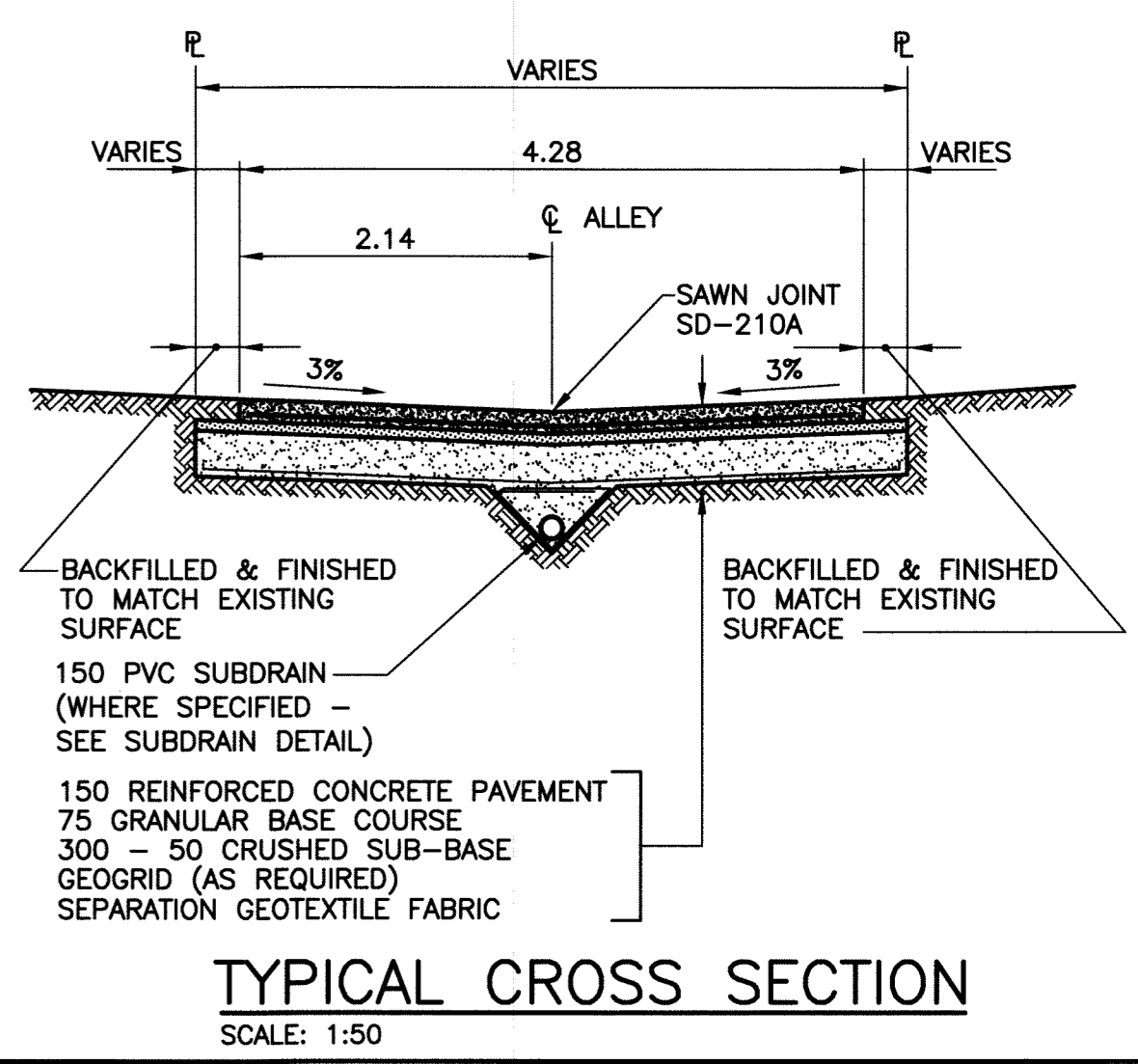
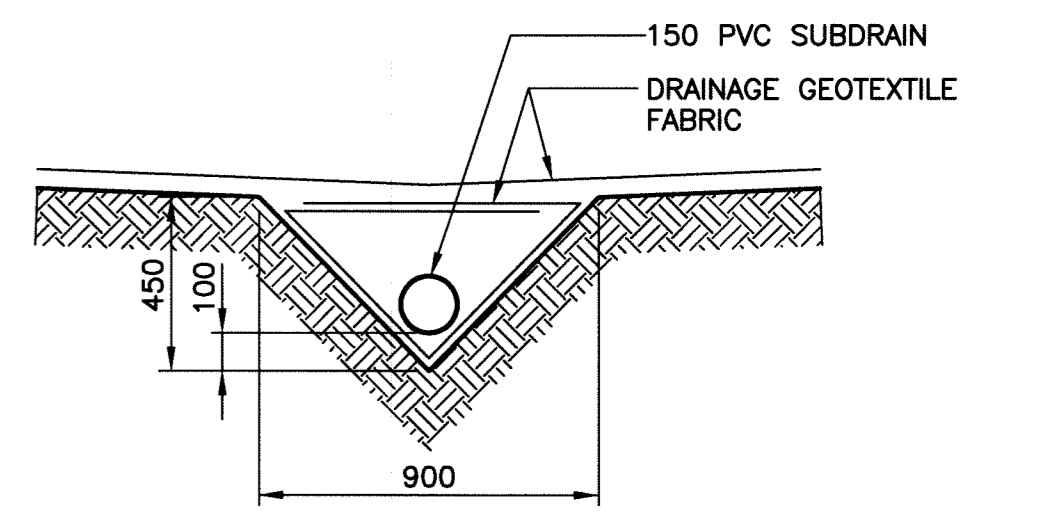


ALLEY PAVEMENT PROFILE
SCALE: 1:250 HOR
1:10 VER



TYPICAL CROSS SECTION
SCALE: 1:50

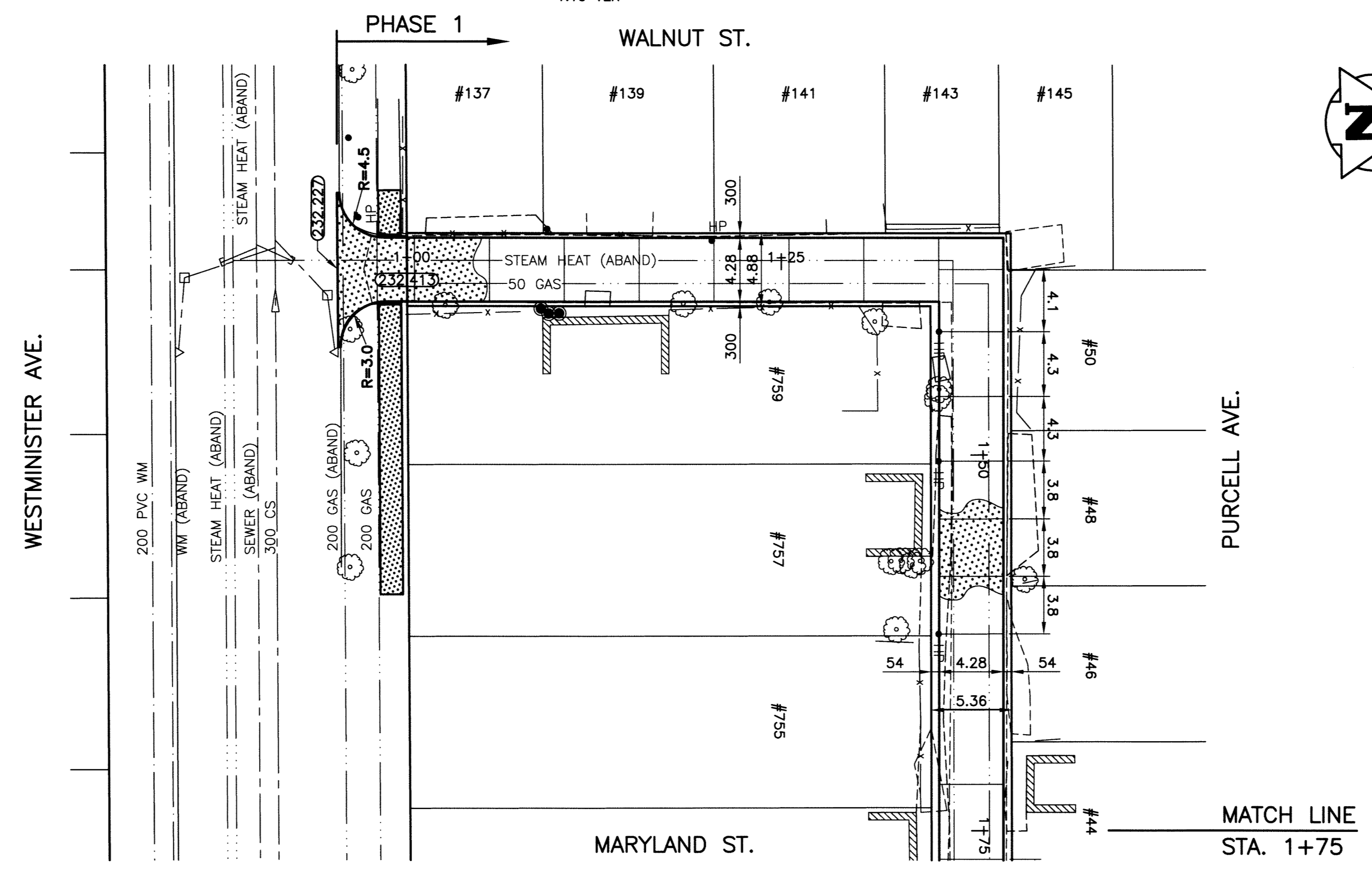


SUBDRAIN DETAIL
SCALE: 1:20

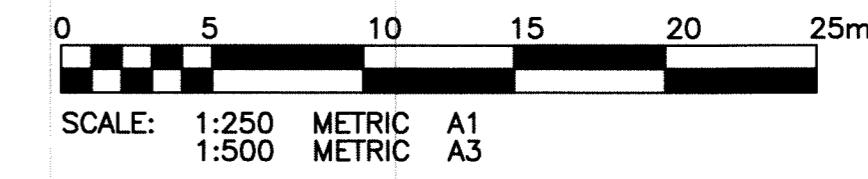
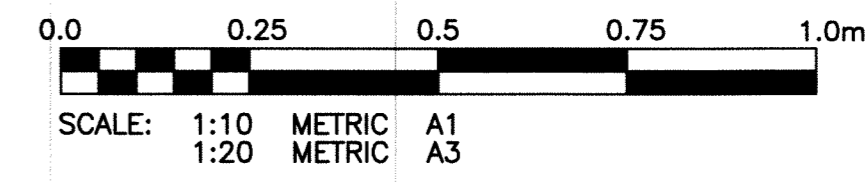
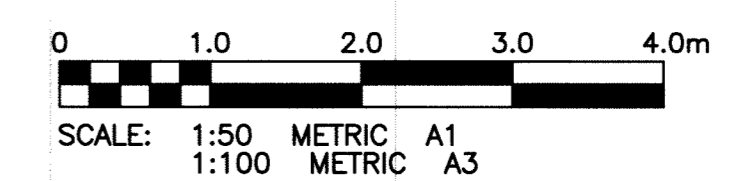
- NOTE:**
1. STATION CHAINAGE IS BASED ON CENTERLINE OF ALLEY RIGHT OF WAY.
 2. ADJUST MH AND CB RIMS TO NEW GRADES.
 3. PLUG SUBDRAINS AT TERMINAL ENDS.
 4. REGRADE EXISTING PRIVATE SIDEWALKS AS REQUIRED.
 5. INSTALLATION OF LIP CURBS AND THEIR EXTENTS TO BE DETERMINED BY THE CONTRACT ADMINISTRATOR.
 6. LIGHT STANDARDS, HYDRO POLES AND ANCHORS MAY REQUIRE TEMPORARY SUPPORT/REMOVAL OR REPLACEMENT AT THE CONTRACTOR'S EXPENSE.
 7. ISOLATE ALL POLES, BASES AND PILES WITHIN ALLEY RIGHT OF WAY (SD-228C).
 8. AVOID DAMAGE TO EXISTING TREES WITHIN THE LIMITS OF CONSTRUCTION.

PROPERTY LIMITS DELINEATION

DELINEATION OF PROPERTY LIMITS AS SHOWN ON THIS DWG DOES NOT REPRESENT A "LEGAL SURVEY". KGS GROUP MAKES NO REPRESENTATION OR WARRANTY AS TO THE ACCURACY OF PROPERTY LIMITS DELINEATED ON THIS DWG, NOR ON THE DIMENSIONAL ACCURACY OF DWG FEATURES RELATIVE TO THOSE PROPERTY LIMITS.



ALLEY PAVEMENT PLAN
SCALE: 1:250 HOR



WARNING

IF POWER EQUIPMENT OR EXPLOSIVES ARE TO BE USED FOR EXCAVATION ON THIS PROJECT THE CONTRACTOR MUST:

- 1) NOTIFY THE GAS COMPANY OF THE PROPOSED LOCATION OF EXCAVATION.
- 2) TAKE PRECAUTION TO AVOID DAMAGE TO GAS COMPANY INSTALLATIONS.

SEE PROVINCIAL REGULATION 210/72 FOR DETAILS.

METRIC

WHOLE NUMBERS INDICATE MILLIMETRES
DECIMALIZED NUMBERS INDICATE METRES

P:\Projects\2011\11-0107-10\Doc\Control\Balaused\DWG\11-0107-10_06-Rev 0.dwg - Tab: 06 Plotted By: Dberoch 06/28/2011 [Tue 8:50am] PLOT 1:1 A-1

300 LBS	LAND DRAINAGE SEWER	300 LBS	TEST HOLE				
250 WWS	WASTE WATER SEWER	250 WWS	GUY WIRE				
	GAS		LIGHT STANDARD				
	HYDRO		BACK OF CURB				
	M.T.S.		CONCRETE				
150 WM	WATERMAIN	150 WM	ASPHALT				
	HYDRANT		SIDEWALK				
	VALVE		PROPERTY LINE				
	MANHOLE		SURVEY BAR				
	CATCH BASIN		GEODETIC BENCHMARK				
	CURB INLET		ELEVATION				
	POLES						
EXISTING	LEGEND-PLAN	PROPOSED	EXISTING	LEGEND-PLAN	PROPOSED	EXISTING	LEGEND-PROFILE

LOCATION APPROVED UNDERGROUND STRUCTURES

SUPV. U/G STRUCTURES COMMITTEE DATE

NOTE:
LOCATION OF UNDERGROUND STRUCTURES AS SHOWN ARE BASED ON THE BEST INFORMATION AVAILABLE BUT NO GUARANTEE IS GIVEN THAT ALL EXISTING UTILITIES ARE SHOWN OR THAT THE GIVEN LOCATIONS ARE EXACT. CONFIRMATION OF EXISTENCE AND EXACT LOCATION OF ALL SERVICES MUST BE OBTAINED FROM THE INDIVIDUAL UTILITIES BEFORE PROCEEDING WITH CONSTRUCTION.

B.M. 37-054 ELEV. 232.706

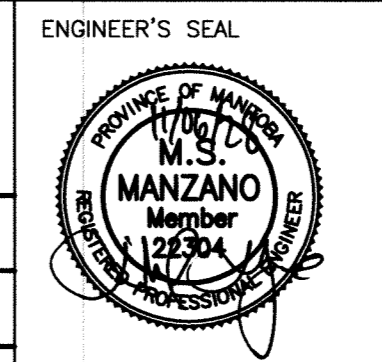
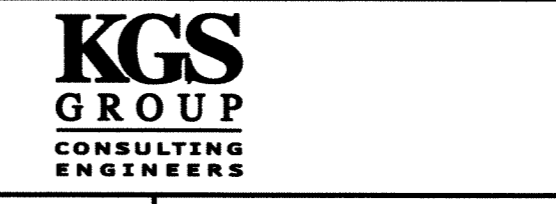
S.W. Cor. Maryland St. & Purcell Ave., Toll. in N. Core, foundation No. 120 Maryland St. 5m e. & 0.1m below tyndall stone of N.W. Cor. of Bldg.

DESIGNED BY: MSM
DRAWN BY: DMW
HOR. SCALE: 1:250
VERTICAL: 1:50

CHECKED BY: RBO
APPROVED BY: f p / t

RELEASED FOR CONSTRUCTION: 11/06/06

ISSUED FOR TENDER: 11/06/06
NO. REVISIONS: 0



THE CITY OF WINNIPEG
PUBLIC WORKS DEPARTMENT
TRANSPORTATION ENGINEERING DIVISION

PROJECT TITLE: **2011 ALLEY RENEWAL PROGRAM**

SHEET OF: **06** OF **18**

COMPUTER FILE NAME: **WESTMINSTER_PURCELL**

CITY DRAWING NUMBER: **P-XX06**

CONSULTANT DRAWING NO.: **11-0107-10**

DATE: **11/06/06**