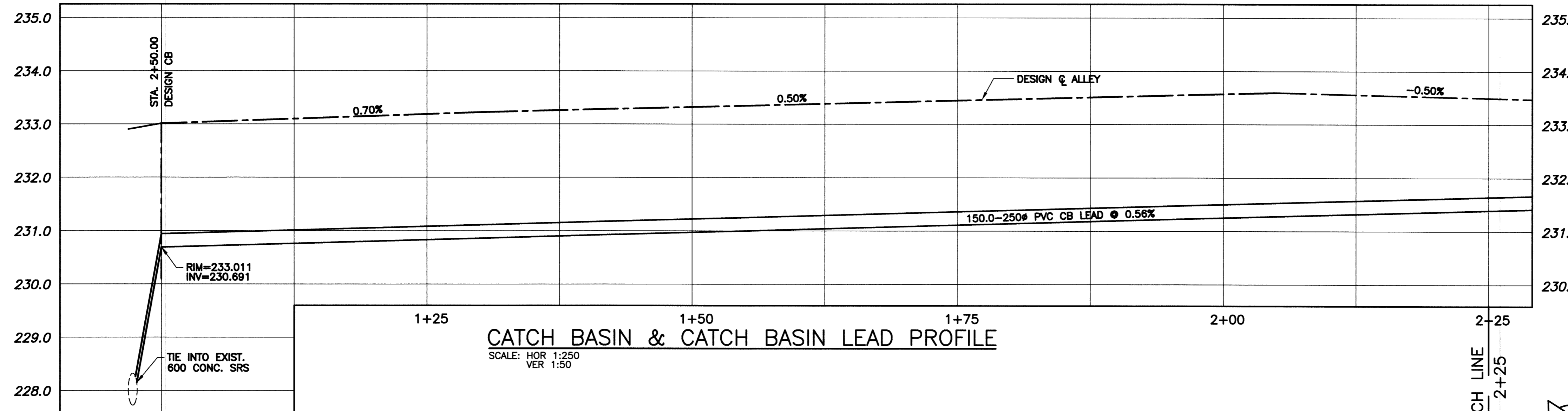
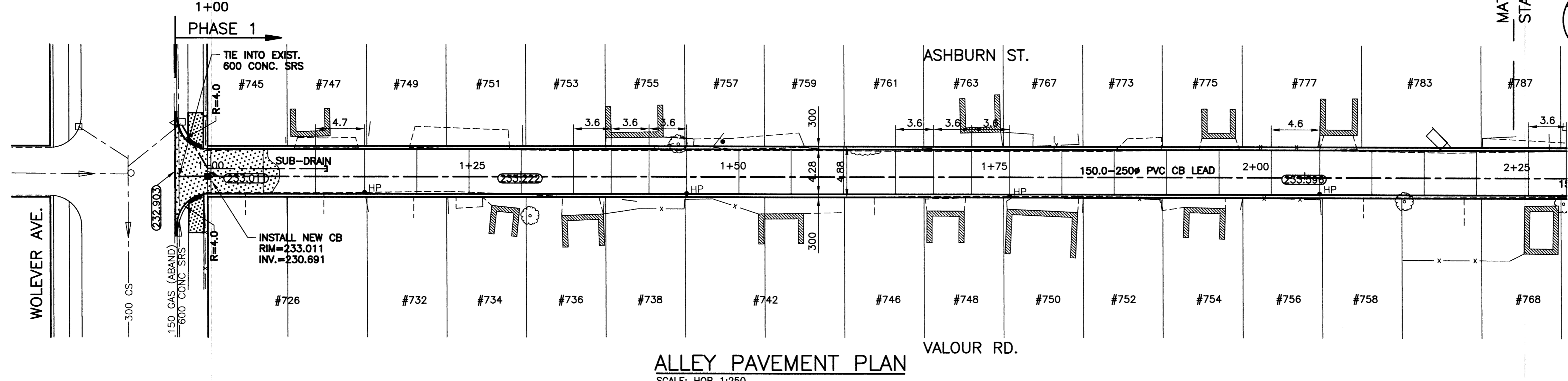


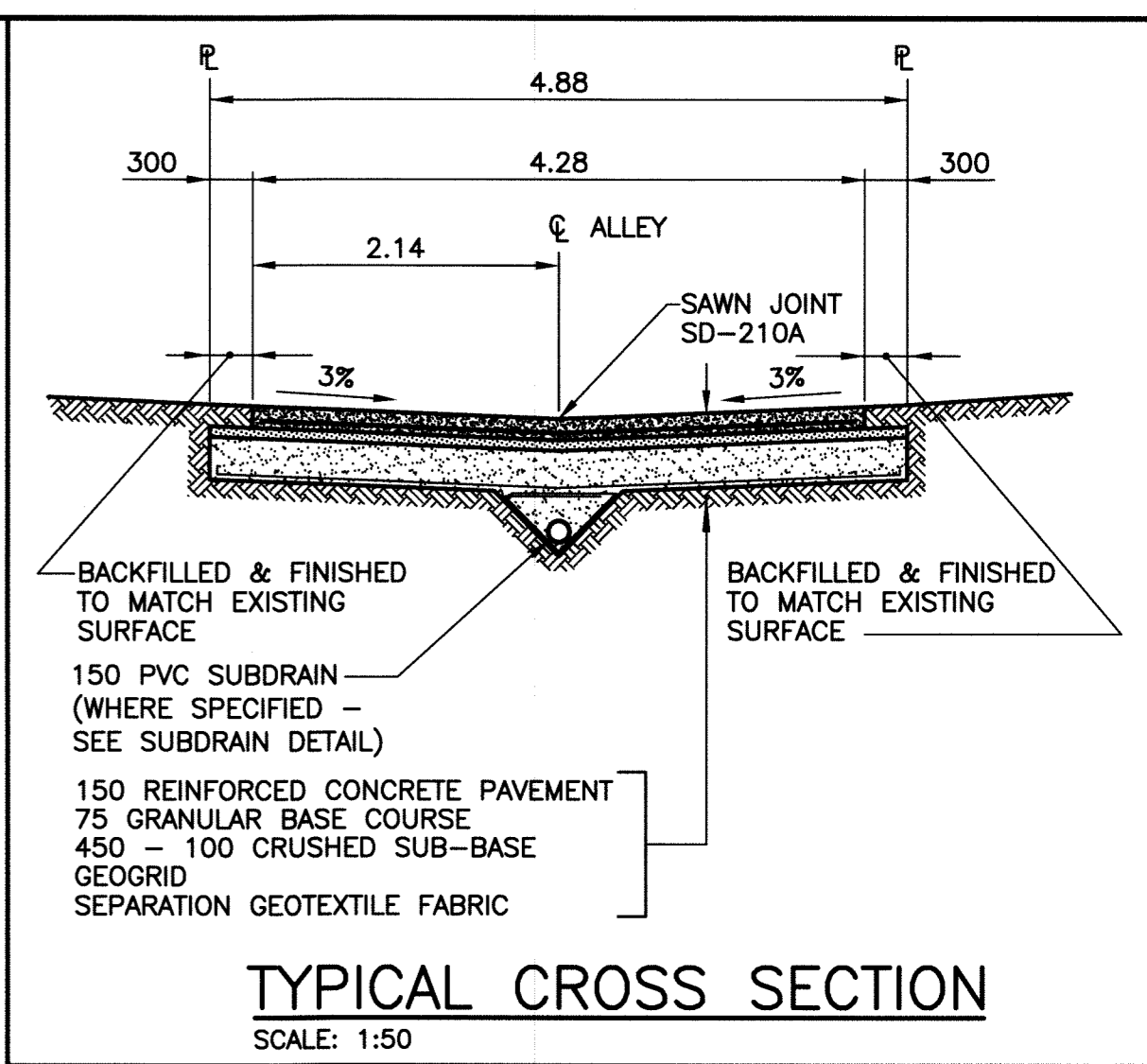
ALLEY PAVEMENT PROFILE
SCALE: HOR 1:250
VER 1:10



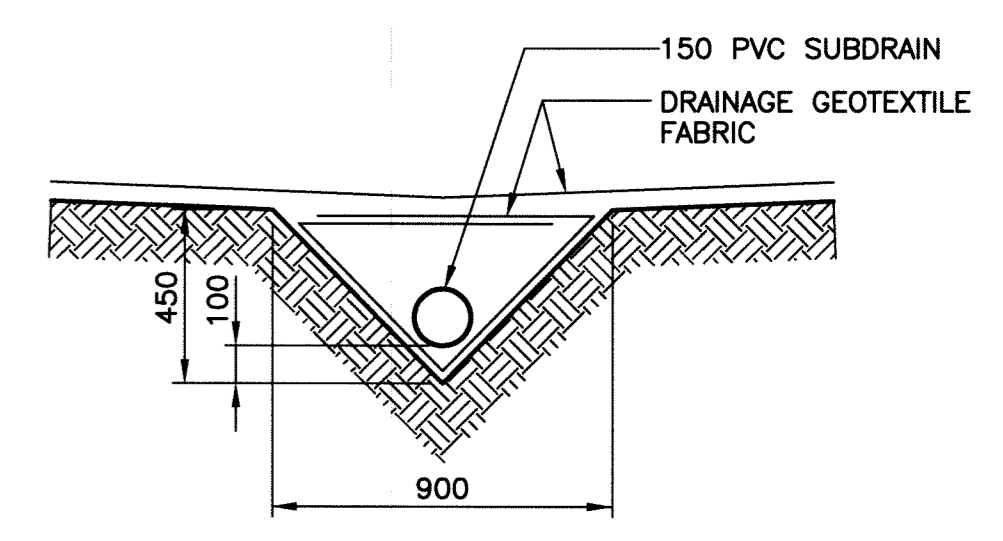
CATCH BASIN & CATCH BASIN LEAD PROFILE
SCALE: HOR 1:250
VER 1:50



ALLEY PAVEMENT PLAN
SCALE: HOR 1:250



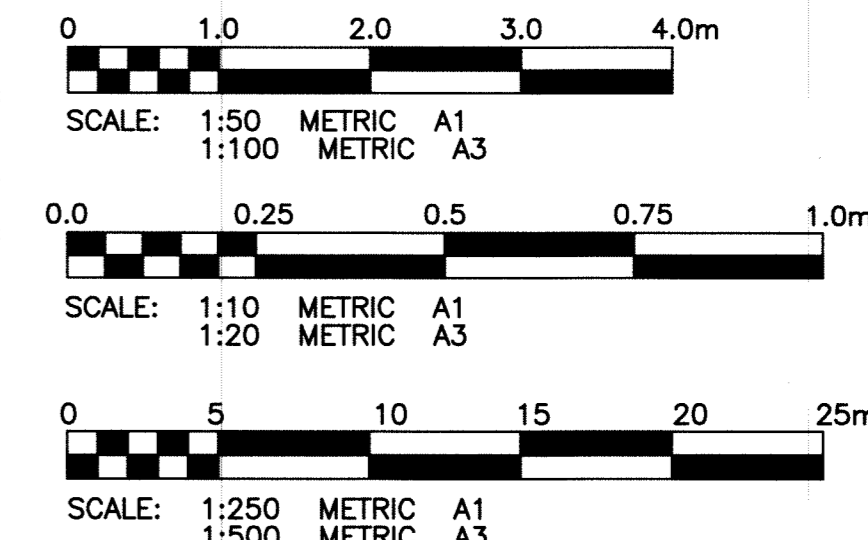
TYPICAL CROSS SECTION
SCALE: 1:50



SUBDRAIN DETAIL
SCALE: 1:20

- NOTE:**
1. STATION CHAINAGE IS BASED ON CENTERLINE OF ALLEY RIGHT OF WAY.
 2. ADJUST MH AND CB RIMS TO NEW GRADES.
 3. PLUG SUBDRAINS AT TERMINAL ENDS.
 4. REGRADE EXISTING PRIVATE SIDEWALKS AS REQUIRED.
 5. INSTALLATION OF LIP CURBS AND THEIR EXTENTS TO BE DETERMINED BY THE CONTRACT ADMINISTRATOR.
 6. LIGHT STANDARDS, HYDRO POLES AND ANCHORS MAY REQUIRE TEMPORARY SUPPORT/REMOVAL OR REPLACEMENT AT THE CONTRACTOR'S EXPENSE.
 7. ISOLATE ALL POLES, BASES AND PILES WITHIN ALLEY RIGHT OF WAY (SD-228C).
 8. AVOID DAMAGE TO EXISTING TREES WITHIN THE LIMITS OF CONSTRUCTION.

PROPERTY LIMITS DELINEATION
DELINEATION OF PROPERTY LIMITS AS SHOWN ON THIS DWG DOES NOT REPRESENT A "LEGAL SURVEY". KGS GROUP MAKES NO REPRESENTATION OR WARRANTY AS TO THE ACCURACY OF PROPERTY LIMITS DELINEATED ON THIS DWG, NOR ON THE DIMENSIONAL ACCURACY OF DWG FEATURES RELATIVE TO THOSE PROPERTY LIMITS.



WARNING
1. NOTIFY THE GAS COMPANY OF THE PROPOSED LOCATION OF EXCAVATION.
2. TAKE PRECAUTION TO AVOID DAMAGE TO GAS COMPANY INSTALLATIONS.
3. SEE PROVINCIAL REGULATION 210/72 FOR DETAILS.

METRIC
WHOLE NUMBERS INDICATE MILLIMETRES
DECIMALIZED NUMBERS INDICATE METRES

APEGN
Certificate of Authorization
KGS Group
No. 245

THE CITY OF WINNIPEG
PUBLIC WORKS DEPARTMENT
TRANSPORTATION ENGINEERING DIVISION

PROJECT TITLE: **2011 ALLEY RENEWAL PROGRAM**
SHEET OF: **09 18**
COMPUTER FILE NAME: **ASHBURN_VALOR**
CITY DRAWING NUMBER: **P-XX09**

P:\PROJECTS\2011\11-0107-10\MUN\5-ASHBURN_VLAOUR_PLOT.dwg
PLOT 1:1 A-1

EXISTING	LEGEND-PLAN	PROPOSED	EXISTING	LEGEND-PLAN	PROPOSED	EXISTING	LEGEND-PROFILE	PROPOSED
300 L.DS.	LAND DRAINAGE SEWER	300 L.DS.	250 WWS	WASTE WATER SEWER	250 WWS	TEST HOLE		
---	GAS	---	---	HYDRO	---	GUY WIRE		
---	M.T.S.	---	---	BACK OF CURB	---	LIGHT STANDARD		
150 WM	WATERMAIN	150 WM	---	CONCRETE	---	CONCRETE		
+	HYDRANT	+	---	ASPHALT	---	ASPHALT		
o	VALVE	o	---	SIDEWALK	---	SIDEWALK		
o	MANHOLE	o	---	PROPERTY LINE	---	PROPERTY LINE		
o	CATCH BASIN	o	---	SURVEY BAR	---	SURVEY BAR		
o	CURB INLET	o	---	GEODETIC BENCHMARK	---	GEODETIC BENCHMARK		
o	POLES	o	---	ELEVATION	---	ELEVATION		

LOCATION APPROVED UNDERGROUND STRUCTURES
SUPV. U/G STRUCTURES COMMITTEE DATE
NOTE: LOCATION OF UNDERGROUND STRUCTURES AS SHOWN ARE BASED ON THE BEST INFORMATION AVAILABLE BUT NO GUARANTEE IS GIVEN THAT ALL EXISTING UTILITIES ARE SHOWN OR THAT THE GIVEN LOCATIONS ARE EXACT. CONFIRMATION OF EXISTENCE AND EXACT LOCATION OF ALL SERVICES MUST BE OBTAINED FROM THE INDIVIDUAL UTILITIES BEFORE PROCEEDING WITH CONSTRUCTION.

B.M. 51-044 281 (654261) - 10ft. in 3.8m Conc. pile beneath Valve Box marked B.M., 28th & Lockwood St. & Central St. 9.7m E. of C.L. Track & 17.6m N. of S.L. Academy Rd.
ELEV. 234.311

KGS GROUP
CONSULTING ENGINEERS

DESIGNED BY: **MSM** CHECKED BY: **RBO**
DRAWN BY: **DMW** APPROVED BY: *[Signature]*

HOR. SCALE: 1:250
VERTICAL: 1:50

RELEASED FOR CONSTRUCTION: *[Signature]*

ISSUED FOR TENDER: 11/06/2011
NO. REVISIONS: 0

ENGINEER'S SEAL
PROVINCE OF MANITOBA
M.S. MANZANO
Member
122204

CONSULTANT DRAWING NO. **11-0107-10**