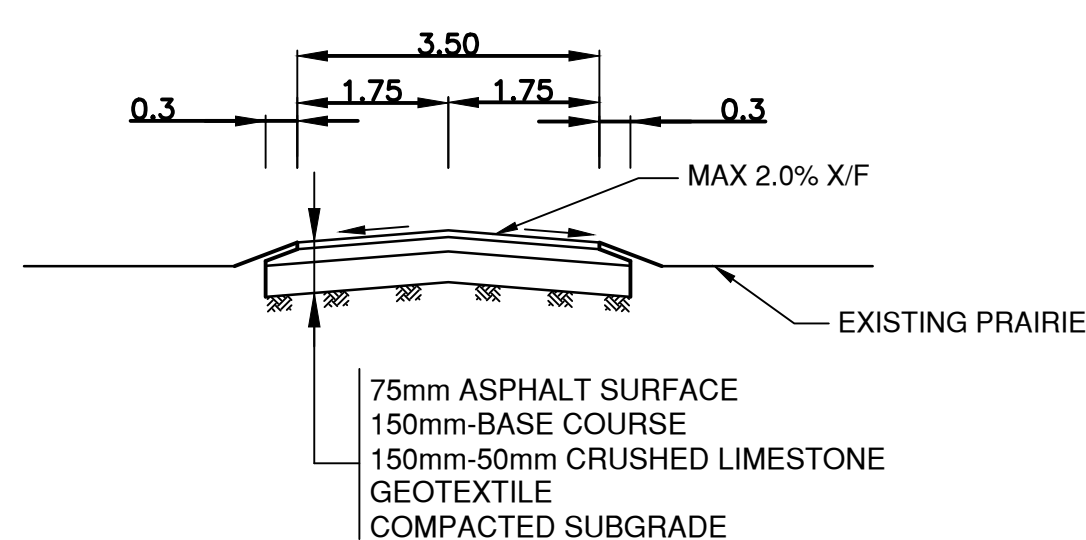


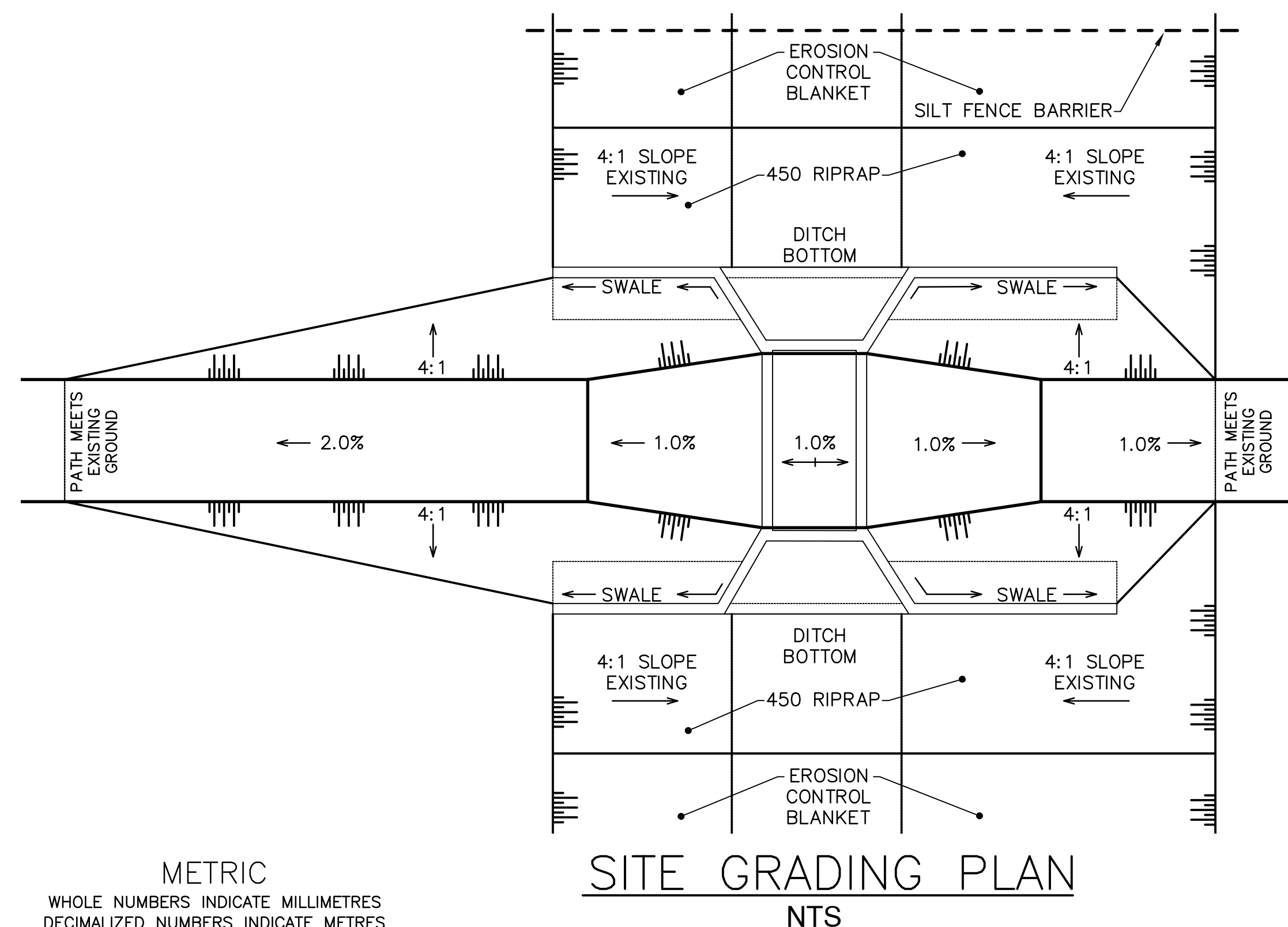
PATH PROFILE
NTS



TYPICAL PATH CROSS SECTION
NTS

NOTES:

1. LOCATION OF PATHWAY, DITCHES, BOULEVARD, AND CULVERTS TO BE FINALIZED IN THE FIELD BY CONTRACT ADMINISTRATOR
2. TO BE FINALIZED IN THE FIELD BY CONTRACT ADMINISTRATOR CONTRACTOR TO TAKE PRECAUTIONARY STEPS TO AVOID DAMAGE FROM CONSTRUCTION ACTIVITIES TO TREES WITHIN THE LIMITS OF CONSTRUCTION
3. REGRADEING OF EXISTING DITCHES TO BE DIRECTED BY CONTRACT ADMINISTRATOR
4. RENEWAL OF EXISTING APPROACHES, PAVEMENT, CURBS, SIDEWALKS, CULVERTS, DITCHES AND BOULEVARD TO BE DIRECTED BY CONTRACT ADMINISTRATOR



SITE GRADING PLAN
NTS

METRIC
WHOLE NUMBERS INDICATE MILLIMETRES
DECIMALIZED NUMBERS INDICATE METRES

| | | | | | | | |
|-----|---------------------|-----|---------------|-----|---------------------|-----|-------------------|
| --- | WATERMAIN | --- | HYDRO | --- | CENTER LINE | --- | LOCATION APPROVED |
| ⊕ | HYDRANT | ⊕ | M.T.S. | --- | NORTH GUTTER LINE | --- | |
| ⊙ | VALVE | ⊙ | CONCRETE | --- | SOUTH GUTTER LINE | --- | |
| --- | LAND DRAINAGE SEWER | --- | ASPHALT | --- | WATERMAIN | --- | |
| --- | WASTE WATER SEWER | --- | PROPERTY LINE | --- | VALVE | --- | |
| ○ | MANHOLE | ⊕ | SURVEY BAR | --- | LAND DRAINAGE SEWER | --- | |
| □ | CATCH BASIN | ⊕ | CURB STOP | --- | WASTE WATER SEWER | --- | |
| △ | CURB INLET | ▲ | C.B. LEAD | --- | JUNCTIONS | --- | |
| --- | TRAFFIC SIGNAL | --- | SIDEWALK | --- | CULVERT | --- | |
| --- | STEAM HT. | --- | SIDEWALK RAMP | --- | ASPH./CONC. PAD | --- | |
| --- | GAS | --- | ELEVATIONS | --- | GARAGE PAD | --- | |
| --- | EXISTING | --- | LEGEND - PLAN | --- | LEGEND - PROFILE | --- | |
| --- | PROPOSED | --- | PROPOSED | --- | PROPOSED | --- | |

| | | | |
|-----|-----------|------|----|
| NO. | REVISIONS | DATE | BY |
| | | | |
| | | | |
| | | | |
| | | | |

GENIVAR
10 PRAIRIE WAY WINNIPEG, MANITOBA R2J 3J8
PH: (204)-477-8650 FAX: (204)-474-2864

DESIGNED BY: TL
CHECKED BY: SU
DRAWN BY: TL
APPROVED BY: SU
HOR. SCALE: SEE DETAILS
MAIN PLAN: 1:1250

DATE: JUNE 2011

| |
|-------------------------------------|
| ENGINEERS SEAL |
| CONSULTANT DRAWING NO. 09-150-25 |

Winnipeg THE CITY OF WINNIPEG
PUBLIC WORKS DEPARTMENT

2010 ACTIVE TRANSPORTATION
INFRASTRUCTURE STIMULUS PROGRAM
NAVIN DRAIN CROSSING: LAGIMODIERE MULTI-USE PATH
AND SITE GRADING PLAN

CITY DRAWING NO.
C-378-11-02
SHEET 2 OF 7
TENDER NO.
538-2011

APEGM
Certificate of Authorization
Genivar Inc.
No. 4388 Expiry April 30, 2012