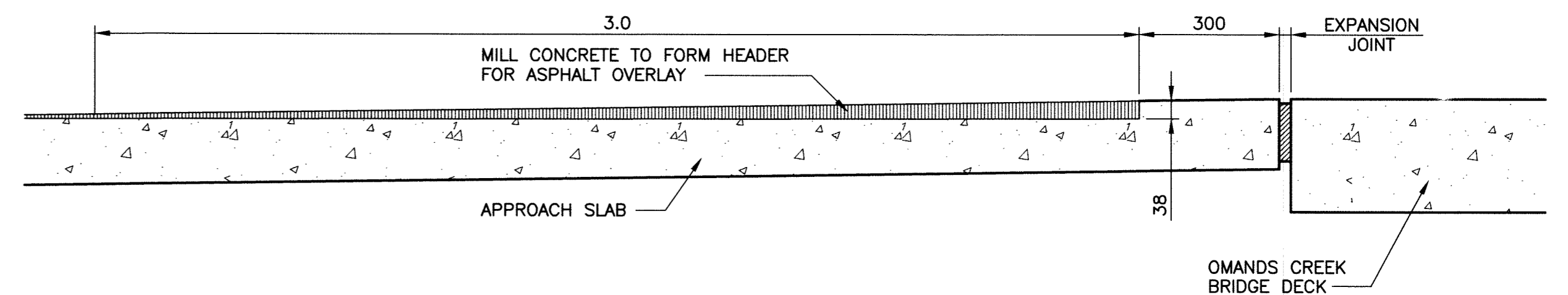
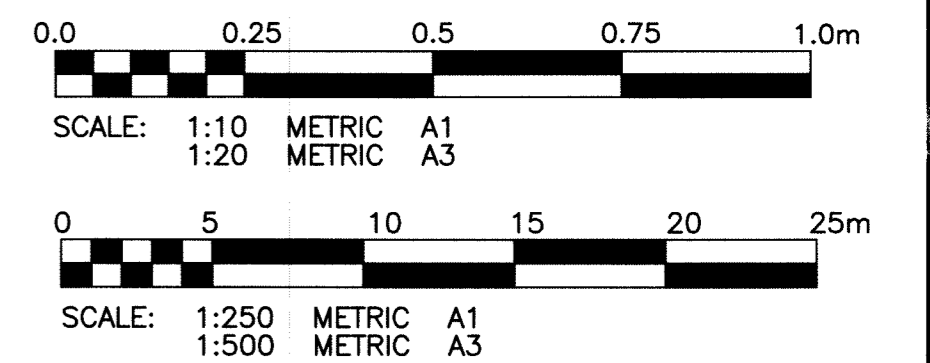


PAVEMENT PLAN
SCALE: 1:250 HOR



APPROACH SLAB MILL DETAIL
SCALE: NTS

- GENERAL NOTES:**
1. STATION CHAINAGE IS BASED ON CENTRELINE OF KING EDWARD STREET
 2. ADJUST MH AND CB RIMS TO NEW GRADES
 3. DESIGN GRADES TO BE CONFIRMED BY KGS GROUP AFTER ASPHALT PLANING OF EACH LANE.
 4. AVOID DAMAGE TO EXISTING TREES WITHIN THE LIMITS OF CONSTRUCTION.
 5. ISOLATE ALL POLES, BASES AND PILES WITHIN BUS STOP SIDEWALK (SD-228C).
 6. ALL PAVEMENT MEASUREMENTS ARE TO BACK OF CURB.

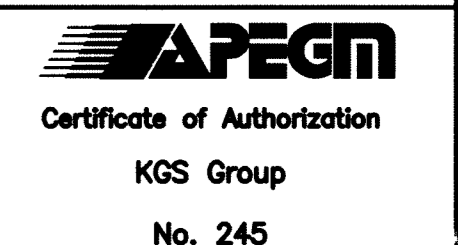


PROPERTY LIMITS DELINEATION

DELINEATION OF PROPERTY LIMITS AS SHOWN ON THIS DWG DOES NOT REPRESENT A "LEGAL SURVEY". KGS GROUP MAKES NO REPRESENTATION OR WARRANTY AS TO THE ACCURACY OF PROPERTY LIMITS DELINEATED ON THIS DWG, NOR ON THE DIMENSIONAL ACCURACY OF DWG FEATURES RELATIVE TO THOSE PROPERTY LIMITS.

METRIC

WHOLE NUMBERS INDICATE MILLIMETRES
DECIMAL NUMBERS INDICATE METRES



P:\Projects\2011\11-0107-08\DocControl\Belissand\DWG\p-3328-12-Rev 0.dwg - Tab: 12 Plotted By: DDeroche 07/04/2011 [Mon 1:36pm]

300 LDS	LAND DRAINAGE SEWER	300 LDS	TEST HOLE				
250 WWS	WASTE WATER SEWER	250 WWS	GUY WIRE				
			LIGHT STANDARD				
			BACK OF CURB				
			CONCRETE				
			ASPHALT				
			SIDEWALK				
			RAMP CURB				
			PROPERTY LINE				
			SURVEY BAR				
			GEODETIC BENCHMARK				
			ELEVATION				
EXISTING	LEGEND-PLAN	PROPOSED	EXISTING	LEGEND-PROFILE	PROPOSED	EXISTING	LEGEND-PROFILE

LOCATION APPROVED UNDERGROUND STRUCTURES

SUPV. U/G STRUCTURES COMMITTEE DATE

NOTE:
LOCATION OF UNDERGROUND STRUCTURES AS SHOWN ARE BASED ON THE BEST INFORMATION AVAILABLE BUT NO GUARANTEE IS GIVEN THAT ALL EXISTING UTILITIES ARE SHOWN OR THAT THE GIVEN LOCATIONS ARE EXACT. CONFIRMATION OF EXISTENCE AND EXACT LOCATION OF ALL SERVICES MUST BE OBTAINED FROM THE INDIVIDUAL UTILITIES BEFORE PROCEEDING WITH CONSTRUCTION.

B.M. ELEV.	
NO.	REVISIONS
DATE	BY
11/07/04	

KGS GROUP CONSULTING ENGINEERS	
DESIGNED BY: JDF	CHECKED BY: RJH
DRAWN BY: DMW	APPROVED BY:
HOR. SCALE: 1:250	RELEASED FOR CONSTRUCTION:
VERTICAL: 1:50	DATE: 2011/03/09

ENGINEER'S SEAL

FRIESEN
Member 23875
Professional Engineer

CONSULTANT DRAWING NO. 11-0107-08_12

THE CITY OF WINNIPEG
PUBLIC WORKS DEPARTMENT
TRANSPORTATION ENGINEERING DIVISION

PROJECT TITLE: KING EDWARD STREET SOUTH BOUND PAVEMENT REHABILITATION

SASKATCHEWAN AVE TO DUBLIN AVE
STA 9+75 TO STA. 10+13.41

SHEET 12 OF 13
COMPUTER FILE NAME: KING EDWARD-PLOT
CITY DRAWING NUMBER: P-3328-12