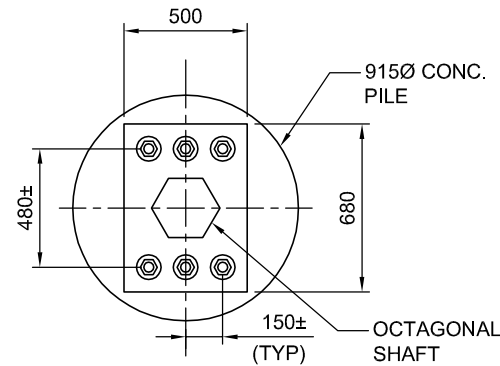


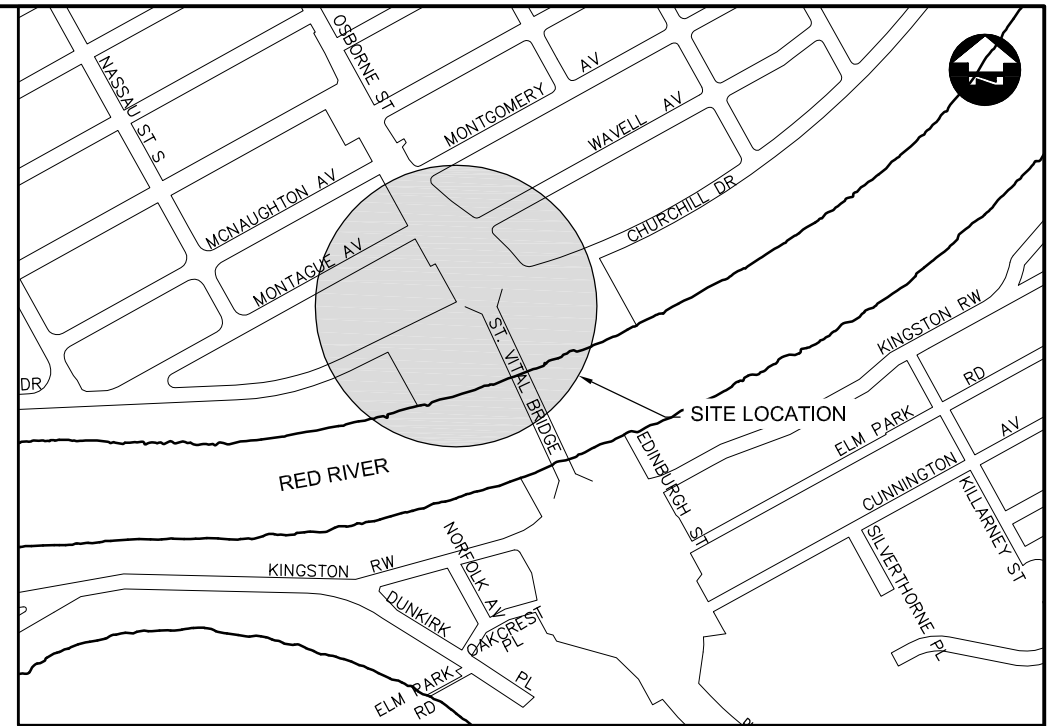
SITE PLAN
1:1,000

CONSTRUCTION NOTES

- ALL DAMAGED GRASS AREAS SHALL BE SODDED IN ACCORDANCE WITH CW 3510.



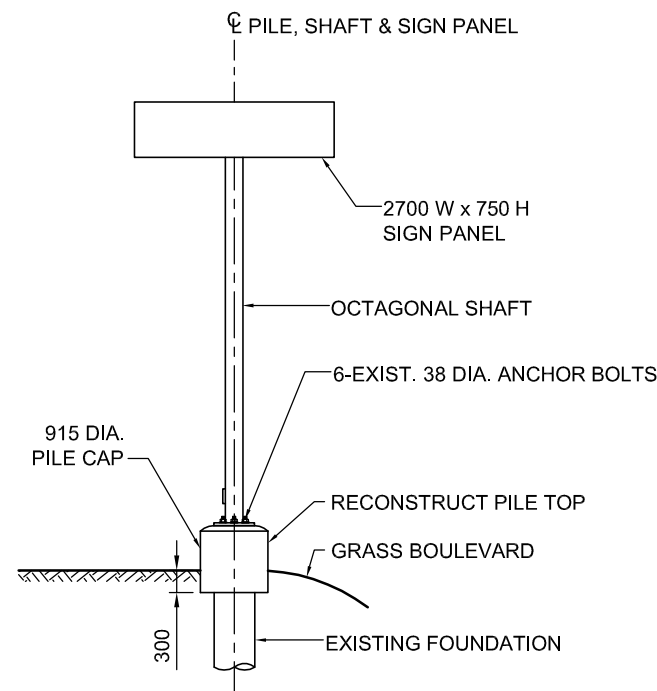
SECTION
1:30



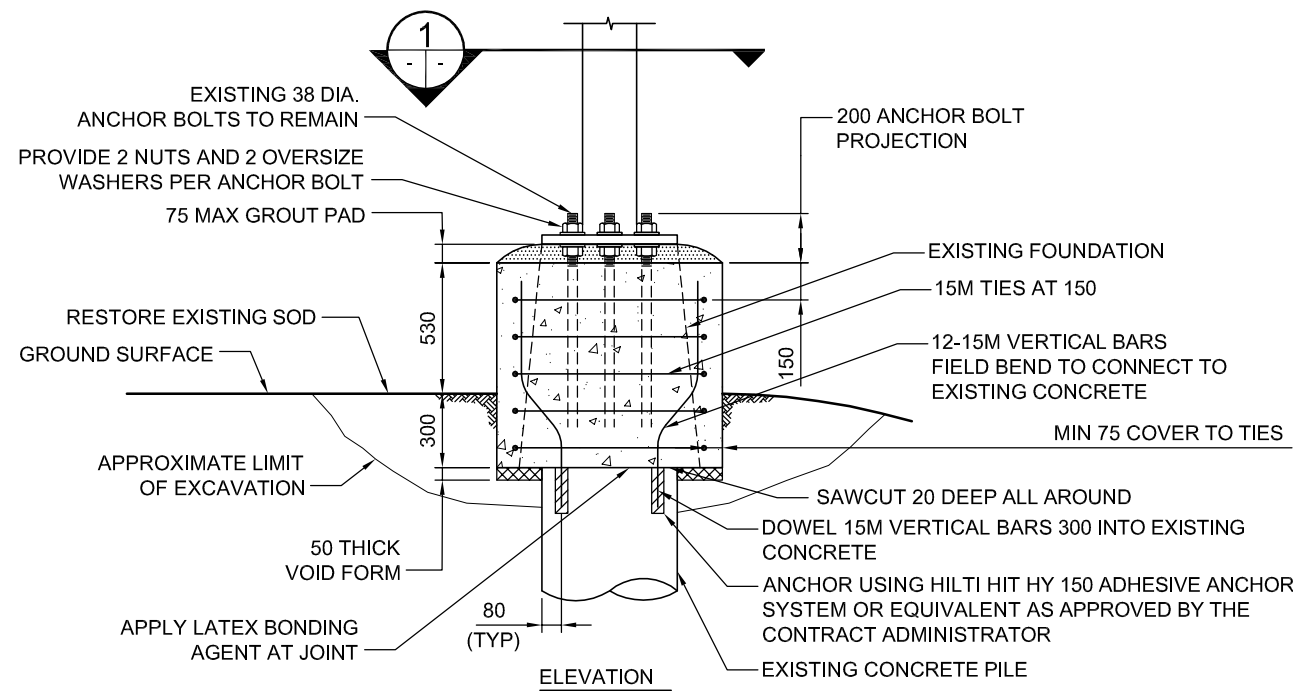
LOCATION MAP

PILE TOP RECONSTRUCTION NOTES:

- REMOVE EXISTING GROUT PAD, BOTTOM ANCHOR BOLT NUTS AND FORMWORK IF ANY.
- DEMOLISH CONCRETE FOUNDATION TO A DEPTH OF 300mm BELOW GRADE.
- BLAST CLEAN EXPOSED CONCRETE SURFACE, ANCHOR BOLTS AND REINFORCING STEEL. INSTALL NEW REINFORCING BARS. VERTICAL BARS SHALL BE DOWELED INTO EXISTING CONCRETE AND GROUTED WITH APPROVED EPOXY.
- APPLY TWO COATS OF ZINC BASED SPRAY-ON COATING CALLED ZINGA TO EXISTING ANCHOR BOLTS AND REINFORCING STEEL.
- CONTRACTOR SHALL ENSURE ELECTRICAL CONTINUITY BETWEEN ANCHOR BOLTS AND REINFORCING BARS PRIOR TO POURING CONCRETE.
- FORM NEW PILE CAP USING SONOTUBE TO THE DIMENSIONS SHOWN.
- CONTRACTOR SHALL FIELD MEASURE EXISTING ANCHOR BOLTS TO ENSURE FIT OF BASE PLATE.
- CONCRETE MIX DESIGN**
PROPORTIONING OF FINE AGGREGATE, COARSE AGGREGATE, CEMENT, WATER, AND AIR ENTRAINING AGENT SHALL BE SUCH AS YIELD CONCRETE HAVING THE REQUIRED STRENGTH AND WORKABILITY AS FOLLOWS:
 i) CLASS OF EXPOSURE: S-1
 ii) MINIMUM COMPRESSIVE STRENGTH AT 56 DAYS = 35 MPa
 iii) MAXIMUM WATER/CEMENT RATIO = 0.4
 iv) AIR CONTENT: CATEGORY 2 PER TABLE 4 OF CSA A23.1-04 (4-7%)
 v) CEMENT - TYPE HS OR HSb, HIGH SULPHATE-RESISTANT.



SITE ELEVATION - LOOKING SOUTH
1:100 OVERHEAD SIGN SUPPORT STRUCTURE NO. S569



PILE TOP RECONSTRUCTION FOR S569
1:30

B.M. ELEV.	DESIGNED BY CDW				CITY DRAWING NUMBER OHSS-11-05 SHEET 5 OF 12 CONSULTANT DRAWING NUMBER
	DRAWN BY APH				
	CHECKED BY SSR				
	APPROVED BY				
	HOR. SCALE AS SHOWN	RELEASED FOR CONSTRUCTION ORIGINAL SIGNED BY B.A. NEIRINCK DATE 07/08/11	CONSULTANT PROJECT NO. 11-4597	STEEL OVERHEAD SIGN SUPPORT STRUCTURES - 2011 MAINTENANCE WORKS	
1 ISSUED FOR TENDER	07/08/11 CDW	VERTICAL SCALE AS SHOWN		S569 OSBORNE STREET S/B, SOUTH OF JUBILEE AVENUE	
NO. REVISIONS	DATE BY	DATE	JULY 2011		