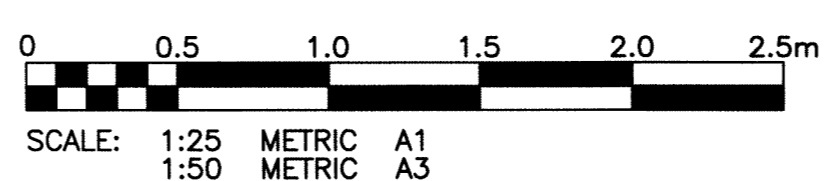
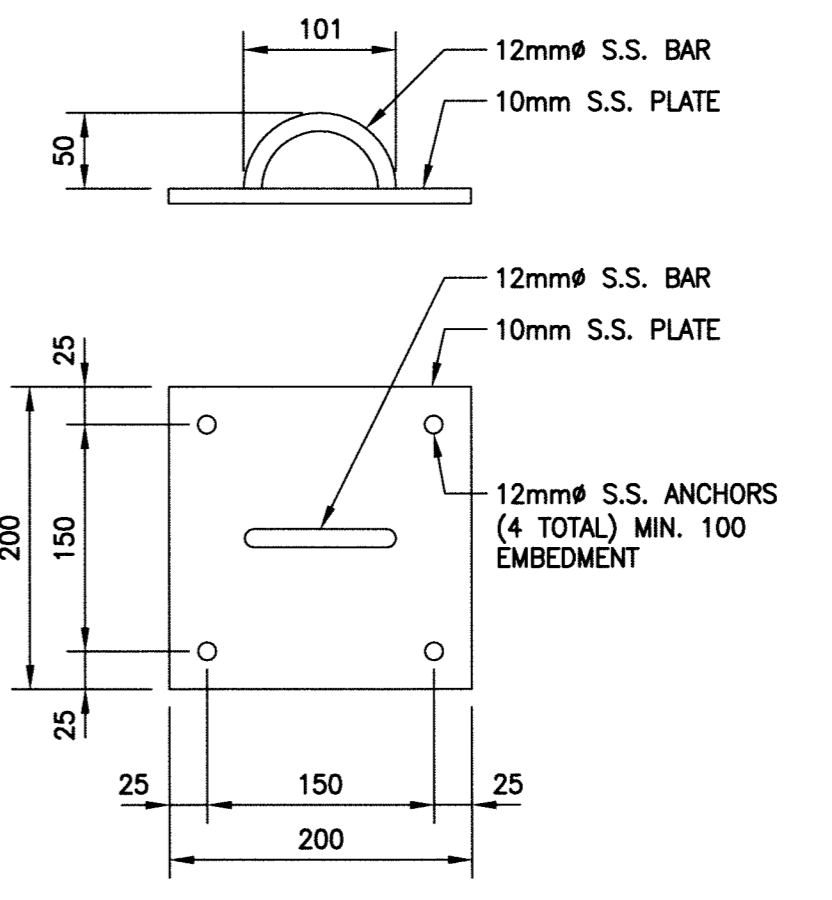
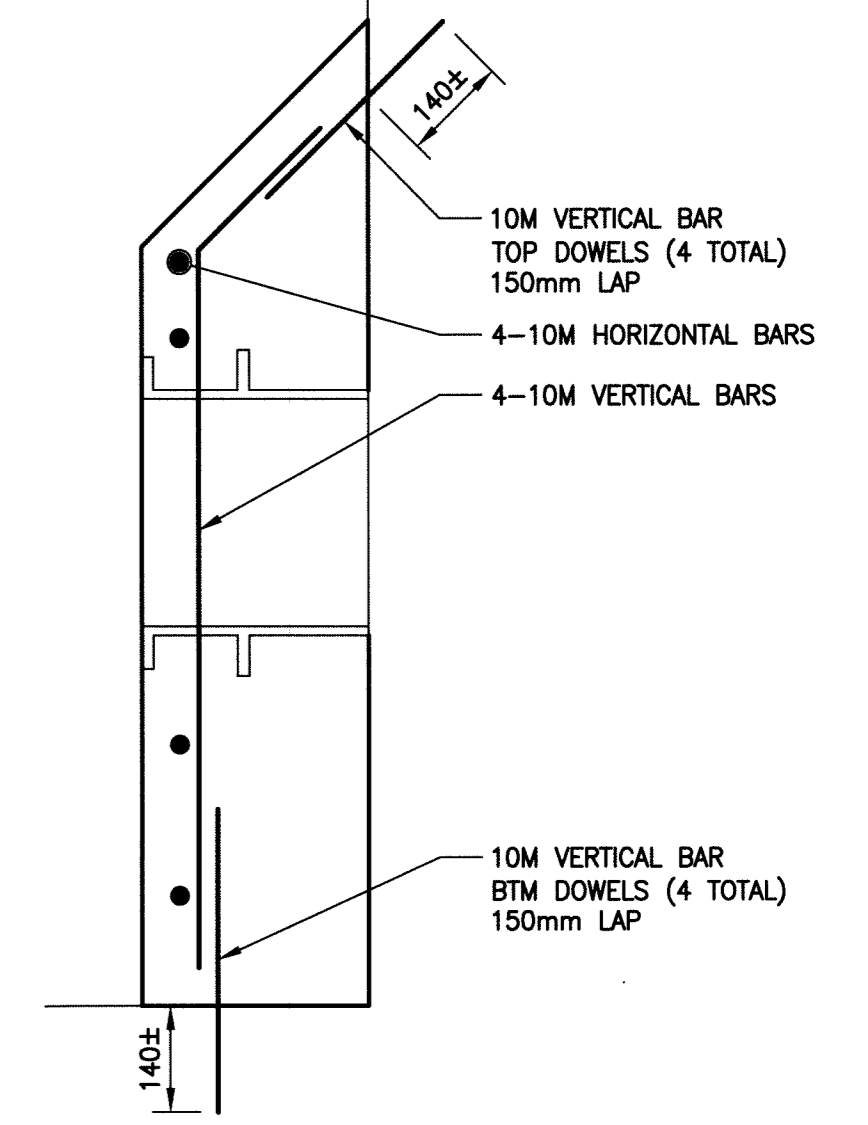
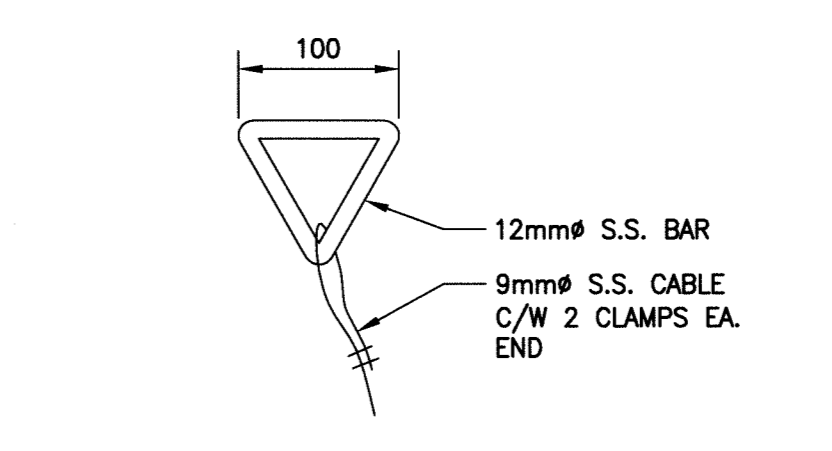
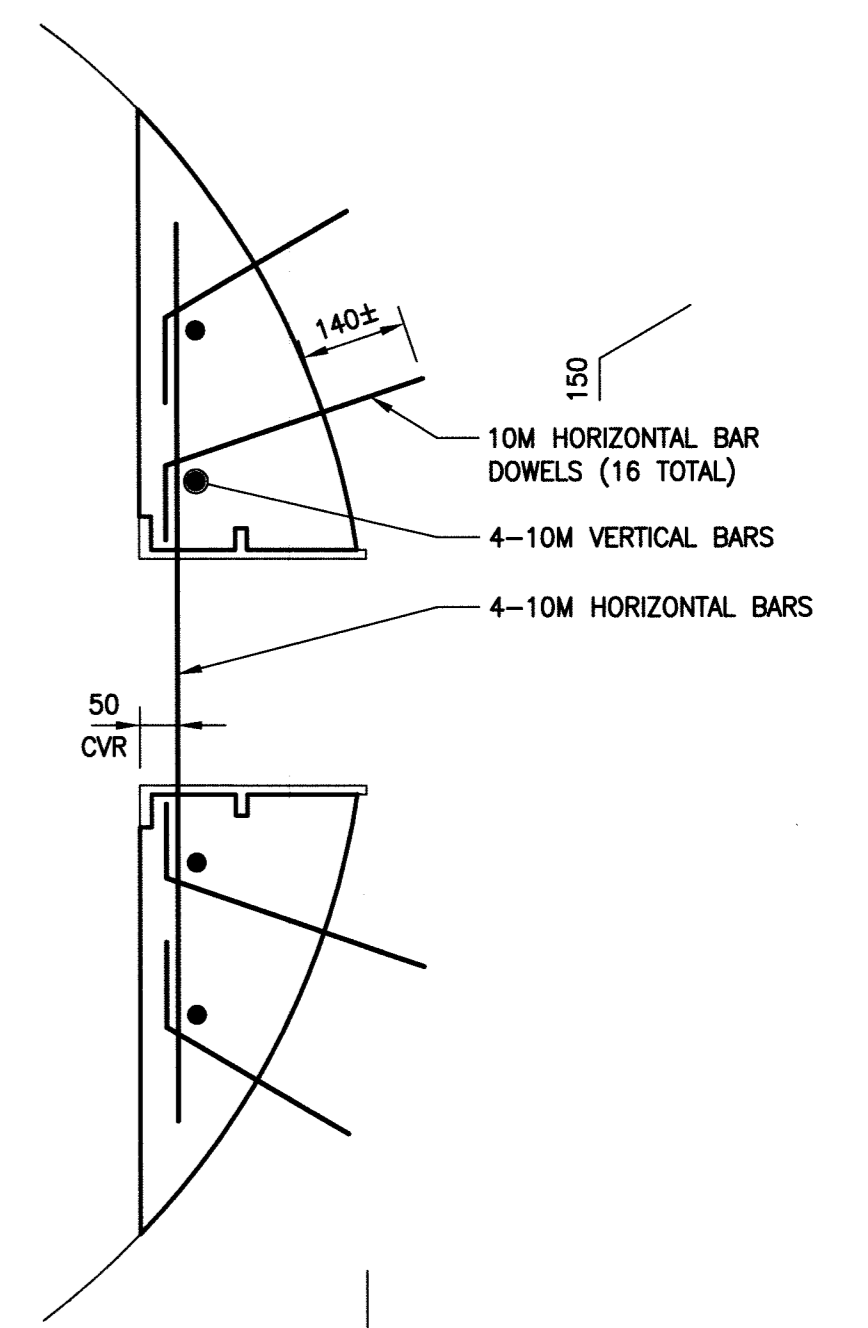
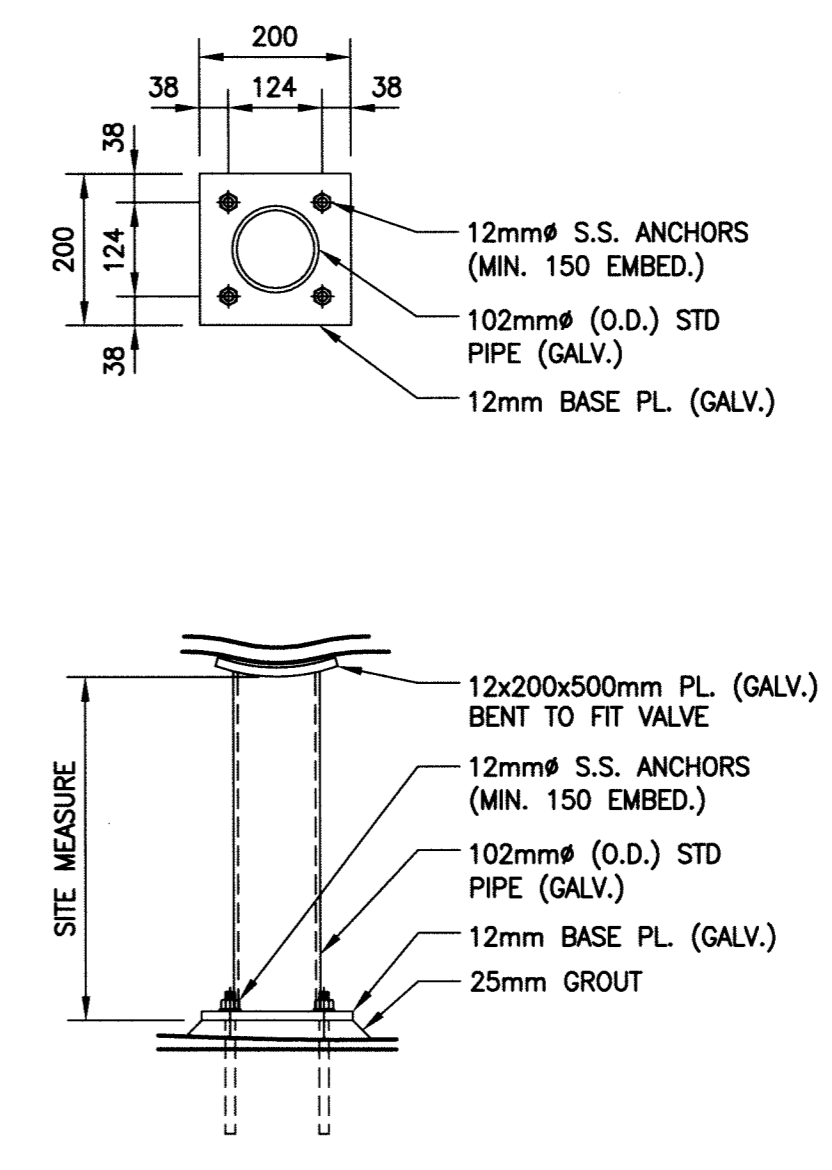
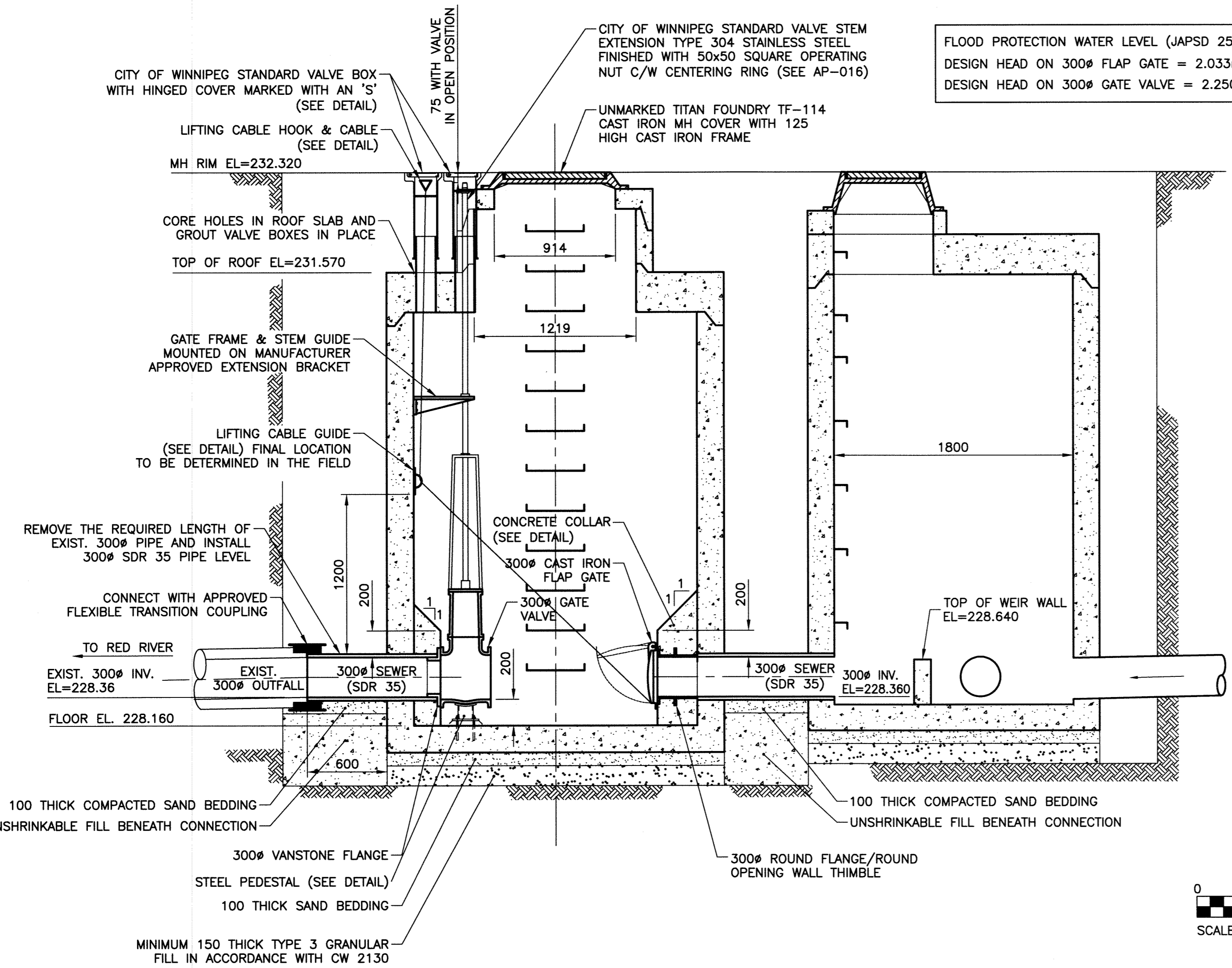


- NOTES:**
1. CHAMBER LOCATION AND SEWER DETAILS ARE SHOWN ON DWG LD-5666.
  2. ALL NUTS, BOLTS, AND ANCHORS TO BE TYPE 316 STAINLESS STEEL.
  3. INSTALL PRECAST CONCRETE GATE CHAMBER IN ACCORDANCE WITH CW 2130.
  4. CONFIRM EXISTING LDS LOCATION, DIAMETER AND INVERT PRIOR TO CONSTRUCTING CHAMBER.

FLOOD PROTECTION WATER LEVEL (JAPSD 25.8ft.) = 230.76m  
 DESIGN HEAD ON 300# FLAP GATE = 2.033m  
 DESIGN HEAD ON 300# GATE VALVE = 2.250m



**ISSUED FOR TENDER**  
NOT TO BE USED FOR CONSTRUCTION

**METRIC**  
WHOLE NUMBERS INDICATE MILLIMETRES  
DECIMALIZED NUMBERS INDICATE METRES

**APEGM**  
Certificate of Authorization  
KGS Group  
No. 245

<b>LOCATION APPROVED UNDERGROUND STRUCTURES</b>		B.M. KGS BASE ELEV. -	DWGS BASED ON C.S.R.S. NAD 83 SYSTEM, UTM GRID
SUPV. U/G STRUCTURES COMMITTEE	DATE		
NOTE: LOCATION OF UNDERGROUND STRUCTURES AS SHOWN ARE BASED ON THE BEST INFORMATION AVAILABLE BUT NO GUARANTEE IS GIVEN THAT ALL EXISTING UTILITIES ARE SHOWN OR THAT THE GIVEN LOCATIONS ARE EXACT. CONFIRMATION OF EXISTENCE AND EXACT LOCATION OF ALL SERVICES MUST BE OBTAINED FROM THE INDIVIDUAL UTILITIES BEFORE PROCEEDING WITH CONSTRUCTION.			
0	ISSUED FOR TENDER	11/08/02	
NO.	REVISIONS	DATE	BY

<b>KGS GROUP CONSULTING ENGINEERS</b>		ENGINEER'S SEAL
DESIGNED BY SH	CHECKED BY	
DRAWN BY GEL	APPROVED BY	
HOR. SCALE: 1:250	RELEASED FOR CONSTRUCTION:	CONSULTANT DRAWING NO. 10-0107-17_C02
VERTICAL: 1:50		
DATE 11/07/13	DATE	

**THE CITY OF WINNIPEG WATER AND WASTE DEPARTMENT**

PROJECT TITLE: 2011 OUTFALL GATE CHAMBER UPGRADES CONTRACT No. 24  
 DEER LODGE PLACE (EAST LEG) OUTFALL GATE CHAMBER DETAILS

SHEET OF 02 08  
 COMPUTER FILE NAME: 10-0107-17\_CALL  
 CITY DRAWING NUMBER: LD-5667

P:\Projects\2010\10-0107-17\Drawings\10-0107-17\_CALL.dwg - Tab: 002 Plotted By: Gloewen 08/02/2011 [Tue 1:24pm]