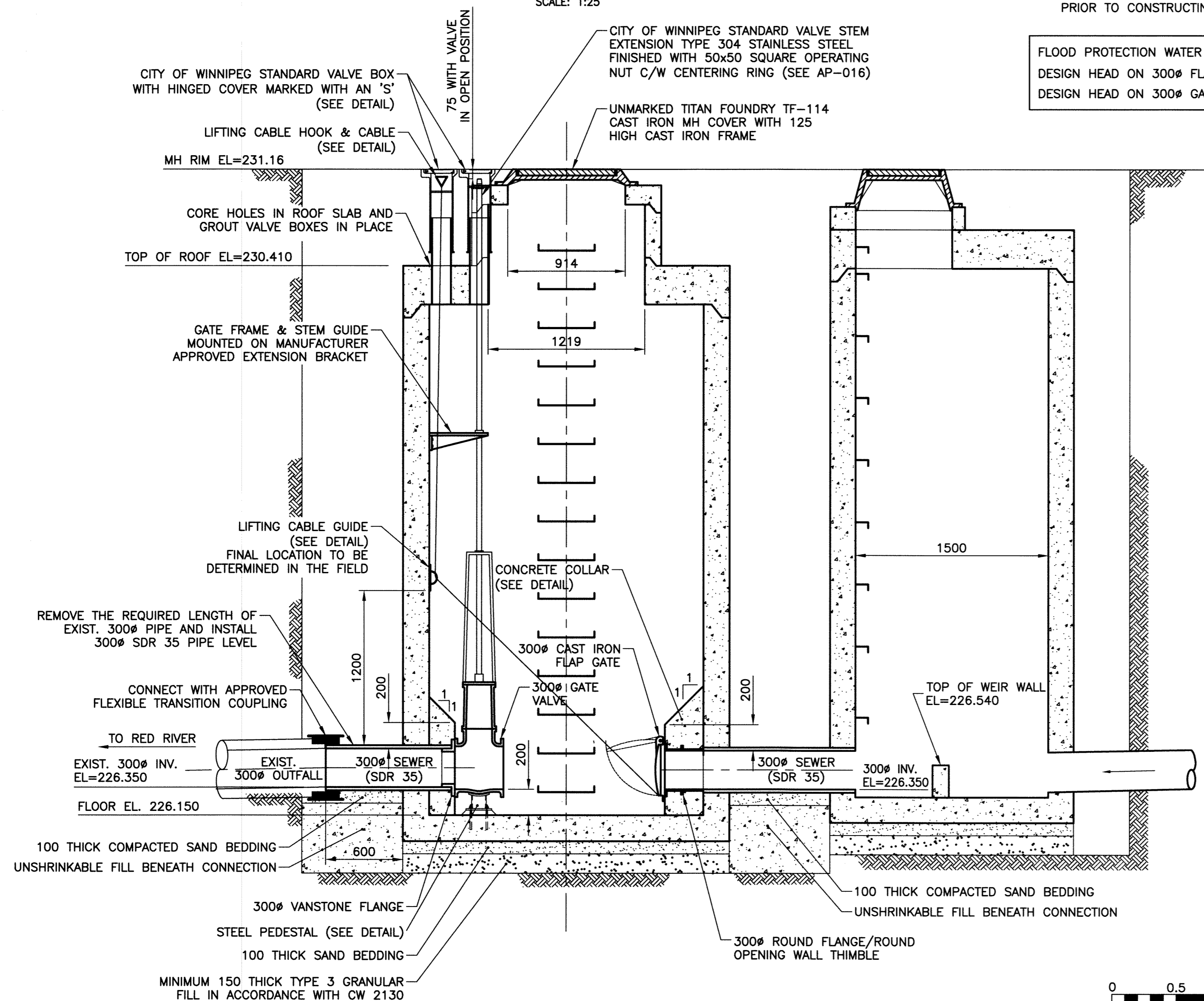


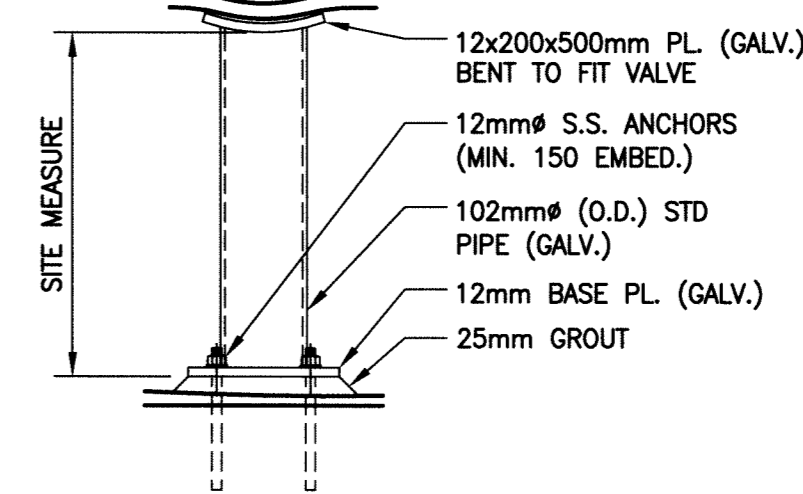
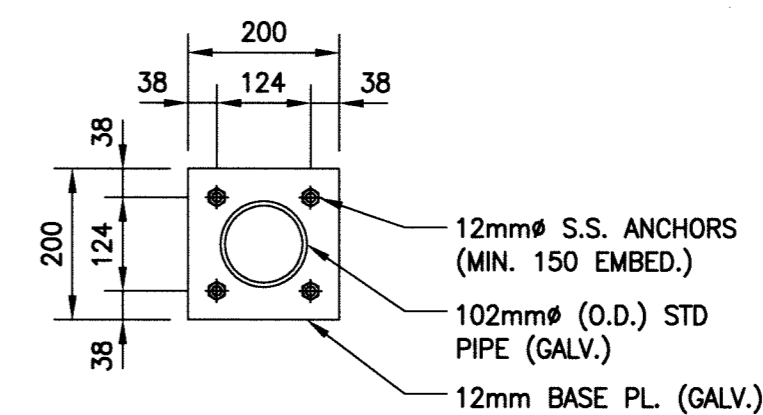
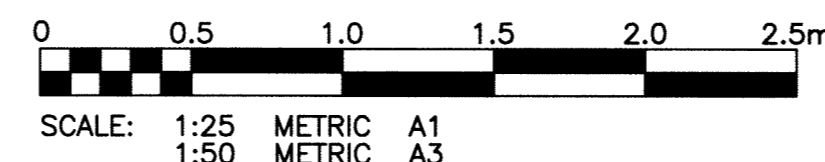
PLAN
SCALE: 1:25

- NOTES:**
1. CHAMBER LOCATION AND SEWER DETAILS ARE SHOWN ON DWG LD-5668.
 2. ALL NUTS, BOLTS, AND ANCHORS TO BE TYPE 316 STAINLESS STEEL.
 3. INSTALL PRECAST CONCRETE GATE CHAMBER IN ACCORDANCE WITH CW 2130.
 4. CONFIRM EXISTING LDS LOCATION, DIAMETER AND INVERT PRIOR TO CONSTRUCTING CHAMBER.

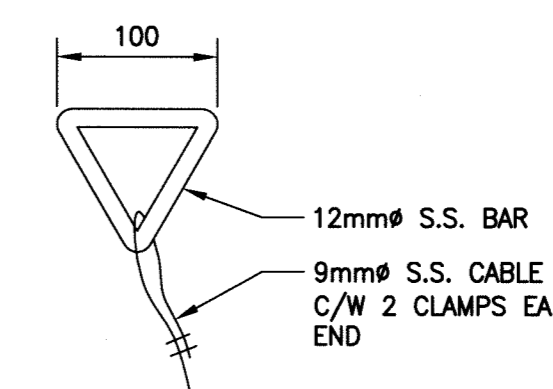
FLOOD PROTECTION WATER LEVEL (JAPSD 25.8ft.) = 230.68m
 DESIGN HEAD ON 300mm FLAP GATE = 4.003m
 DESIGN HEAD ON 300mm GATE VALVE = 4.180m



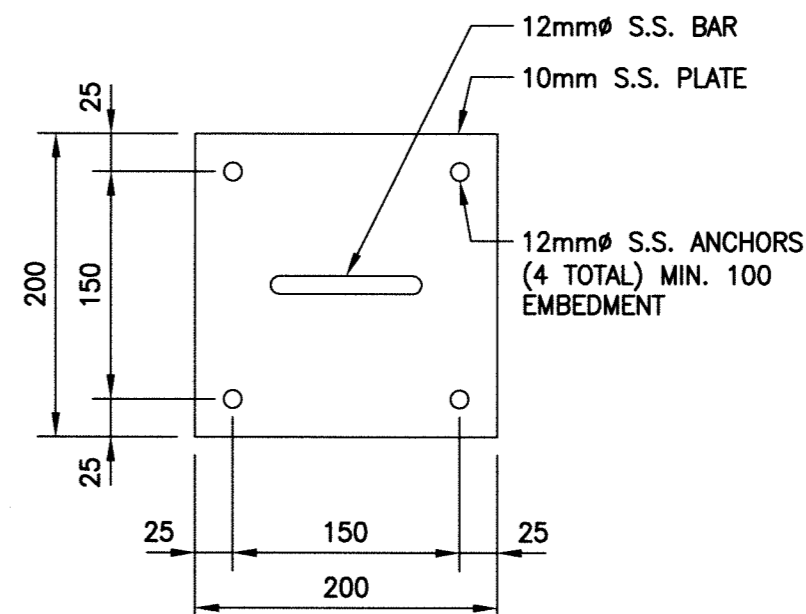
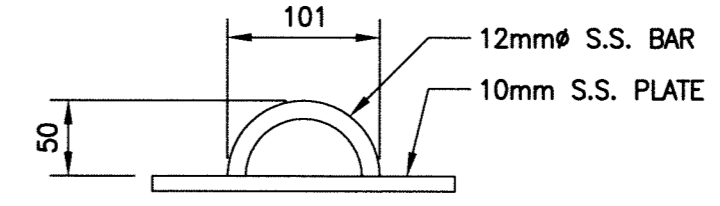
SECTION
SCALE: 1:25



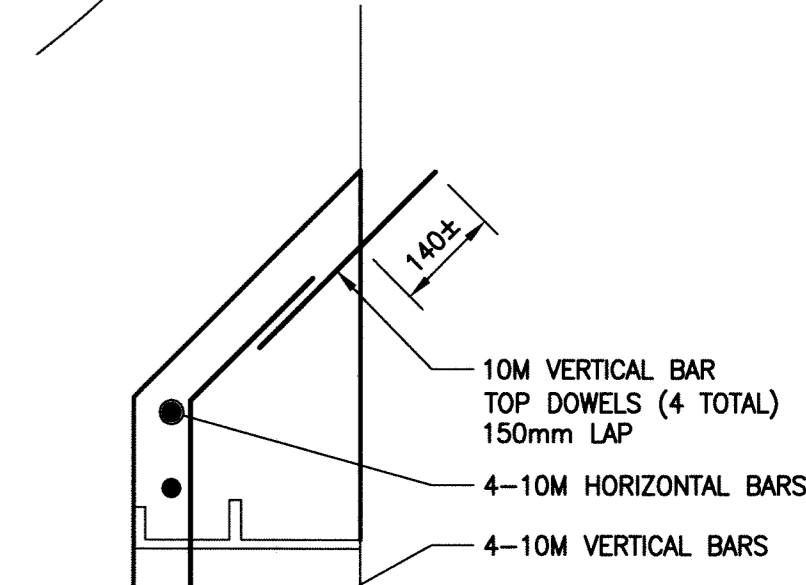
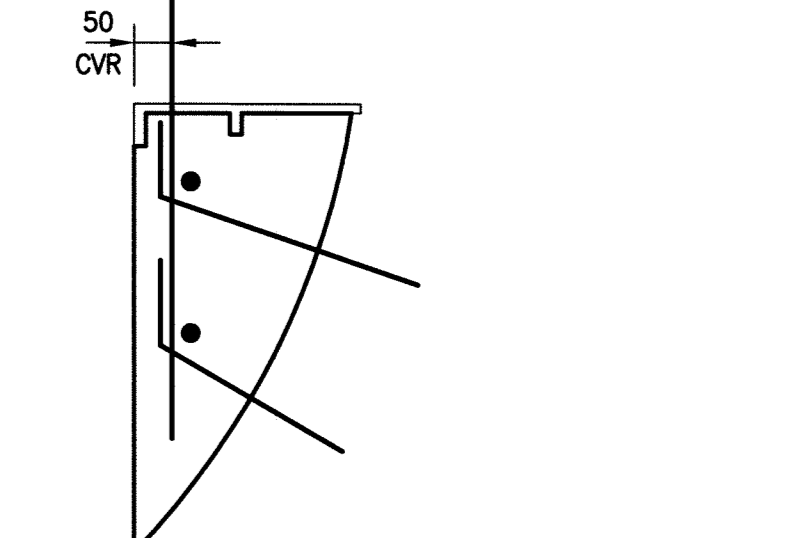
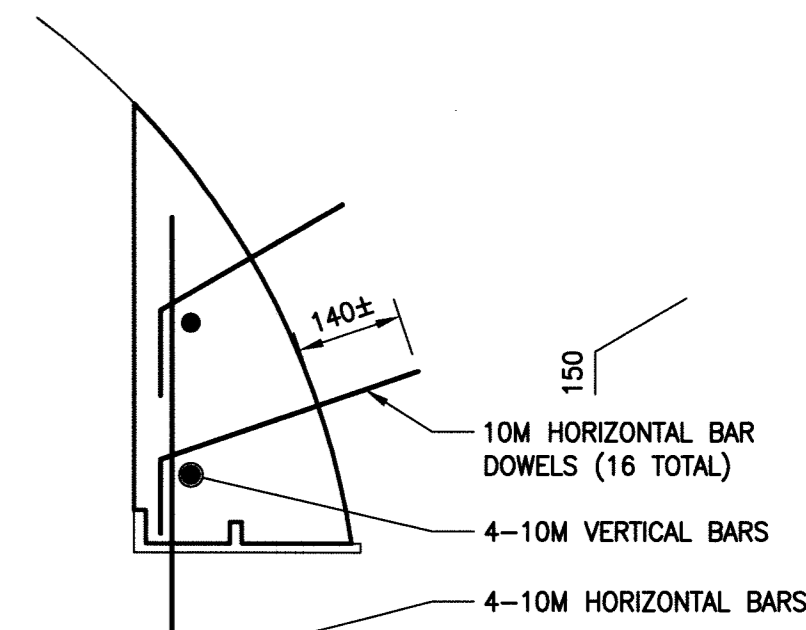
STEEL PEDESTAL DETAIL
SCALE: 1:10



LIFTING HOOK DETAIL
SCALE: 1:5



CABLE GUIDE DETAIL
SCALE: 1:5



CONCRETE COLLAR DETAIL
SCALE: 1:10

METRIC
WHOLE NUMBERS INDICATE MILLIMETRES
DECIMALIZED NUMBERS INDICATE METRES

ISSUED FOR TENDER
NOT TO BE USED FOR CONSTRUCTION

APEGM
Certificate of Authorization
KGS Group
No. 245

LOCATION APPROVED UNDERGROUND STRUCTURES		B.M. KGS BASE ELEV. -	DWGS BASED ON C.S.R.S. NAD 83 SYSTEM, UTM GRID
SUPV. U/G STRUCTURES COMMITTEE	DATE		
NOTE: LOCATION OF UNDERGROUND STRUCTURES AS SHOWN ARE BASED ON THE BEST INFORMATION AVAILABLE BUT NO GUARANTEE IS GIVEN THAT ALL EXISTING UTILITIES ARE SHOWN OR THAT THE GIVEN LOCATIONS ARE EXACT. CONFIRMATION OF EXISTENCE AND EXACT LOCATION OF ALL SERVICES MUST BE OBTAINED FROM THE INDIVIDUAL UTILITIES BEFORE PROCEEDING WITH CONSTRUCTION.			
0	ISSUED FOR TENDER	11/08/02	
NO.	REVISIONS	DATE	BY

KGS GROUP CONSULTING ENGINEERS	
DESIGNED BY SH	CHECKED BY [Signature]
DRAWN BY GEL	APPROVED BY [Signature]
HOR. SCALE: 1:250	RELEASED FOR CONSTRUCTION:
VERTICAL: 1:50	
DATE 11/07/13	DATE

ENGINEER'S SEAL

 CONSULTANT DRAWING NO. 10-0107-17_C04

THE CITY OF WINNIPEG WATER AND WASTE DEPARTMENT

PROJECT TITLE: 2011 OUTFALL GATE CHAMBER UPGRADES
 CONTRACT No. 24
 DOUGLAS PARK ROAD
 OUTFALL GATE CHAMBER DETAILS

SHEET 04 OF 08
 COMPUTER FILE NAME: 10-0107-17_CALL
 CITY DRAWING NUMBER: LD-5669

P:\Projects\2010\10-0107-17\DWG\Mun\10-0107-17_CALL.dwg - Tab: C04 Plotted By: GLoenen 08/02/2011 [Tue 1:25pm]