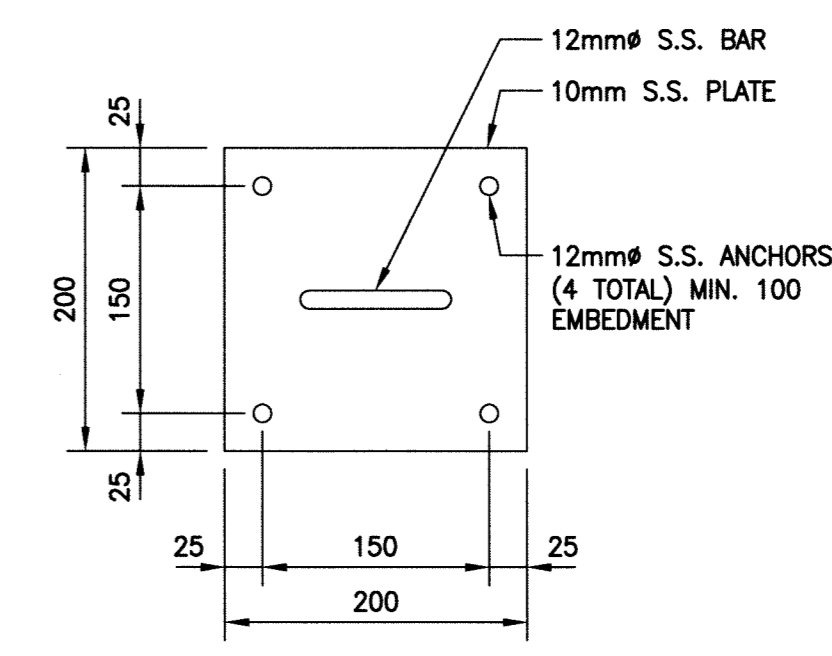
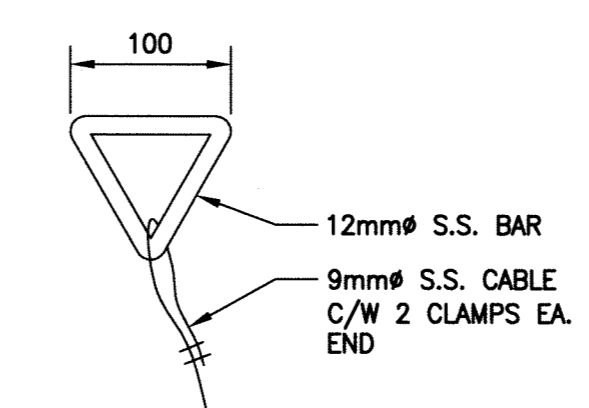


NOTES:

1. CHAMBER LOCATION AND SEWER DETAILS ARE SHOWN ON DWG LD-5670.
2. ALL NUTS, BOLTS, AND ANCHORS TO BE TYPE 316 STAINLESS STEEL.
3. INSTALL PRECAST CONCRETE GATE CHAMBER IN ACCORDANCE WITH CW 2130.
4. CONFIRM EXISTING LDS LOCATION, DIAMETER AND INVERT PRIOR TO CONSTRUCTING CHAMBER.

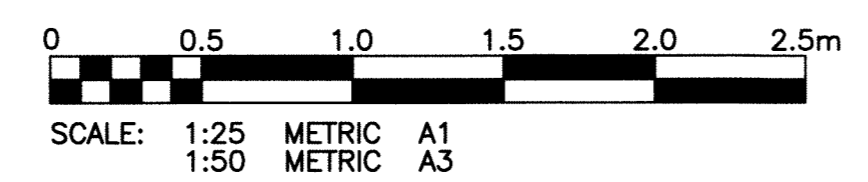
FLOOD PROTECTION WATER LEVEL (JAPSD 25.8ft.) = 230.51m
DESIGN HEAD ON 300# FLAP GATE = 2.82m
DESIGN HEAD ON 300# GATE VALVE = 2.87m



ISSUED FOR TENDER
NOT TO BE USED FOR CONSTRUCTION

METRIC
WHOLE NUMBERS INDICATE MILLIMETRES
DECIMALIZED NUMBERS INDICATE METRES

APEGM
Certificate of Authorization
KGS Group
No. 245



LOCATION APPROVED UNDERGROUND STRUCTURES		B.M. KGS BASE ELEV. -	DWGS BASED ON C.S.R.S. NAD 83 SYSTEM, UTM GRID
SUPV. U/G STRUCTURES COMMITTEE	DATE		
NOTE: LOCATION OF UNDERGROUND STRUCTURES AS SHOWN ARE BASED ON THE BEST INFORMATION AVAILABLE BUT NO GUARANTEE IS GIVEN THAT THE SHOWN LOCATIONS ARE EXACT. CONFIRMATION OF EXISTENCE AND EXACT LOCATION OF ALL SERVICES MUST BE OBTAINED FROM THE INDIVIDUAL UTILITIES BEFORE PROCEEDING WITH CONSTRUCTION.			
0	ISSUED FOR TENDER	11/08/02	
NO.	REVISIONS	DATE	BY
		11/07/13	

KGS GROUP CONSULTING ENGINEERS	
DESIGNED BY SH	CHECKED BY [Signature]
DRAWN BY GEL	APPROVED BY [Signature]
HOR. SCALE: 1:250	RELEASED FOR CONSTRUCTION:
VERTICAL: 1:50	DATE
	11/07/13

ENGINEER'S SEAL

CONSULTANT DRAWING NO. 10-0107-17_C06

THE CITY OF WINNIPEG
WATER AND WASTE DEPARTMENT
PROJECT TITLE: 2011 OUTFALL GATE CHAMBER UPGRADES
CONTRACT No. 24
LOTUS LANE
OUTFALL GATE CHAMBER DETAILS

SHEET 06 OF 08
COMPUTER FILE NAME: 10-0107-17_CALL
CITY DRAWING NUMBER: LD-5671

P:\Projects\2010\10-0107-17\Drawings\10-0107-17_CALL.dwg - Tab: C06 Plotted By: GLoewen 08/02/2011 [Tue 1:26pm]