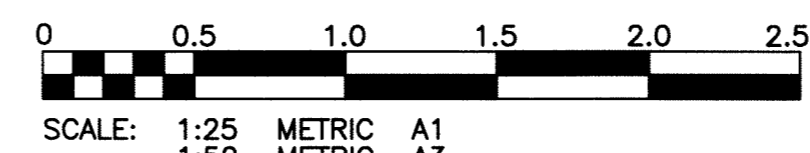
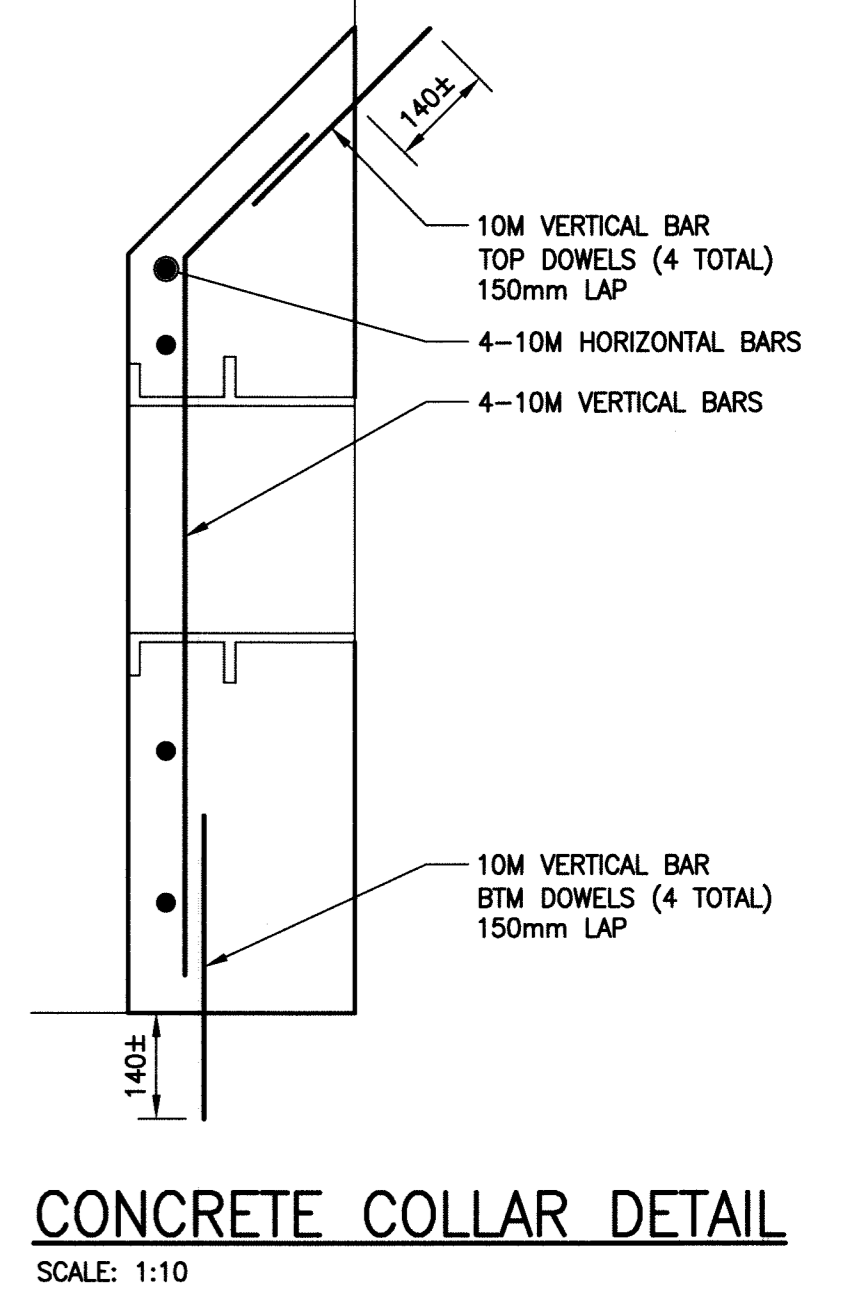
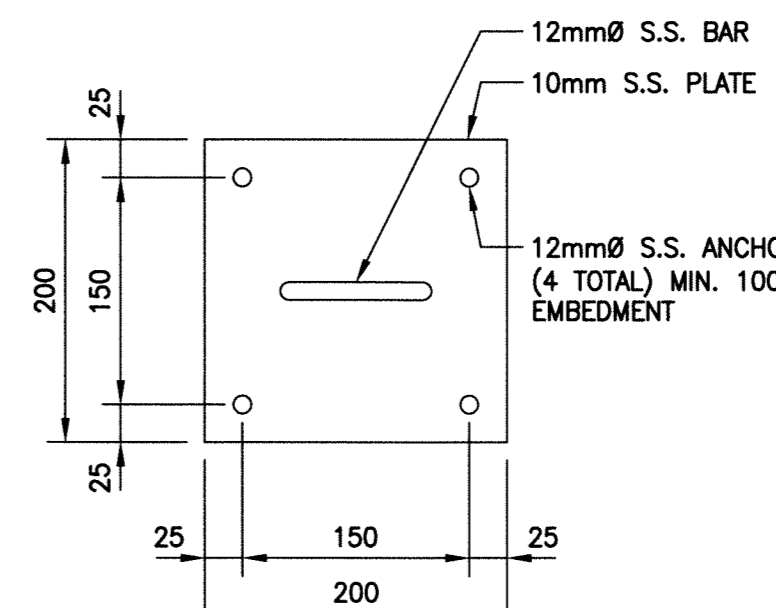
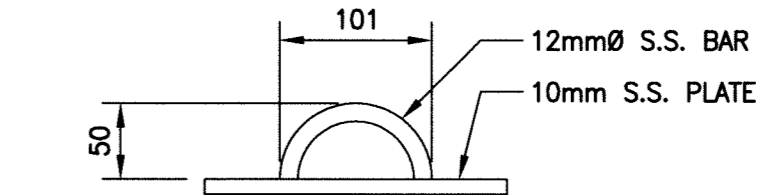
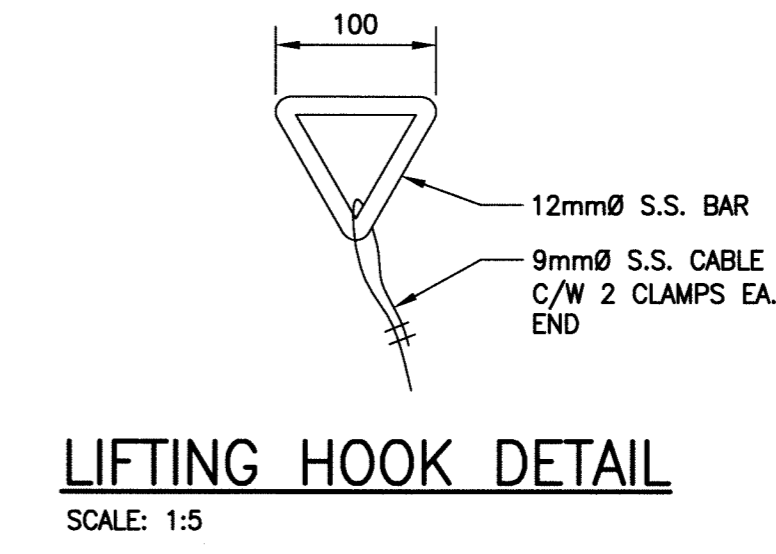
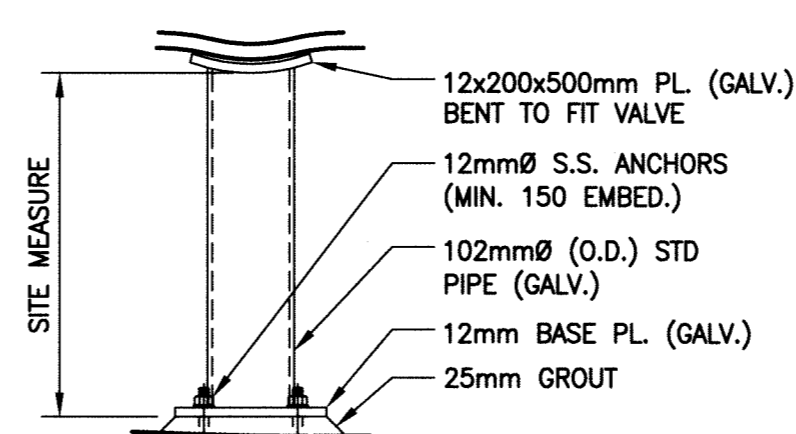
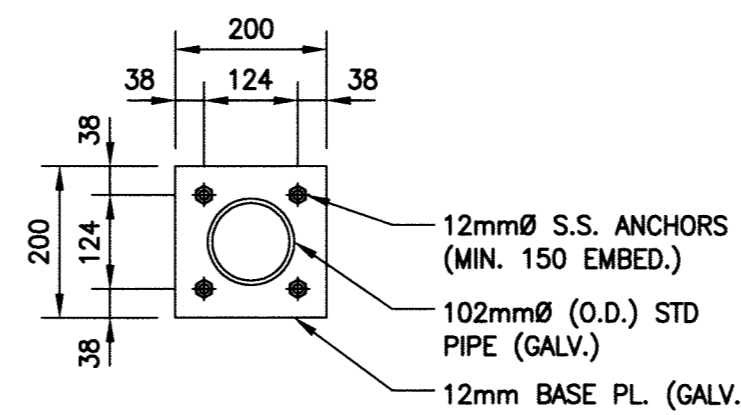
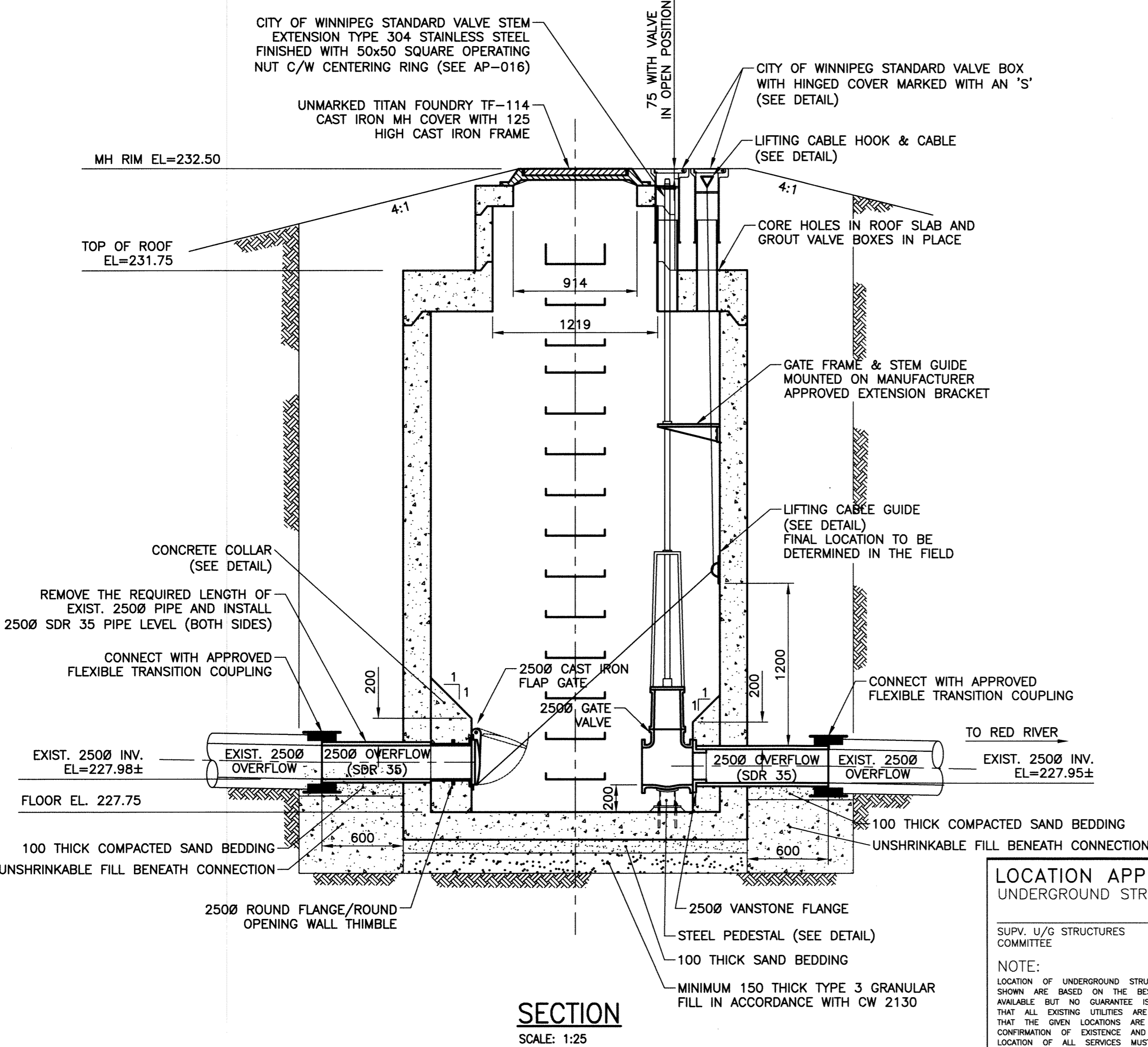
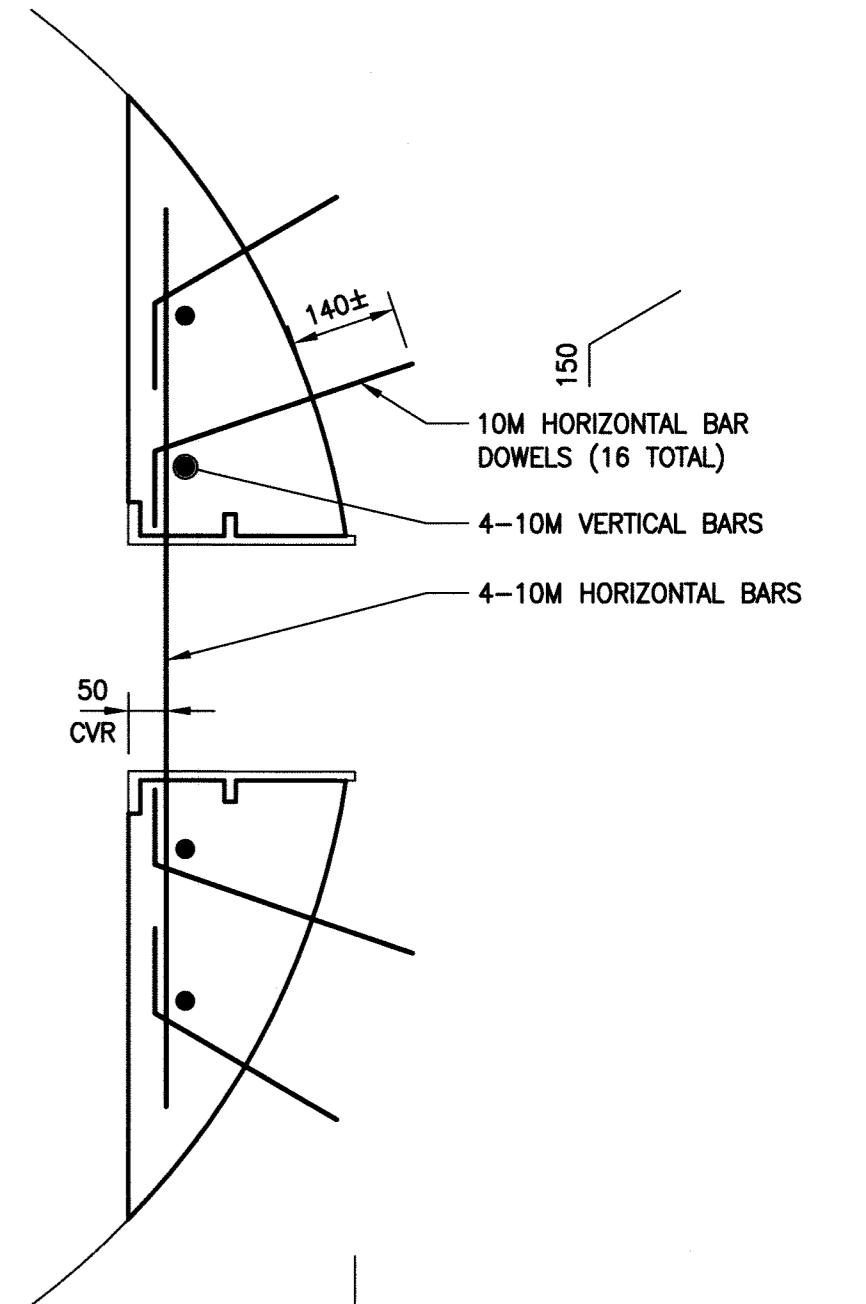
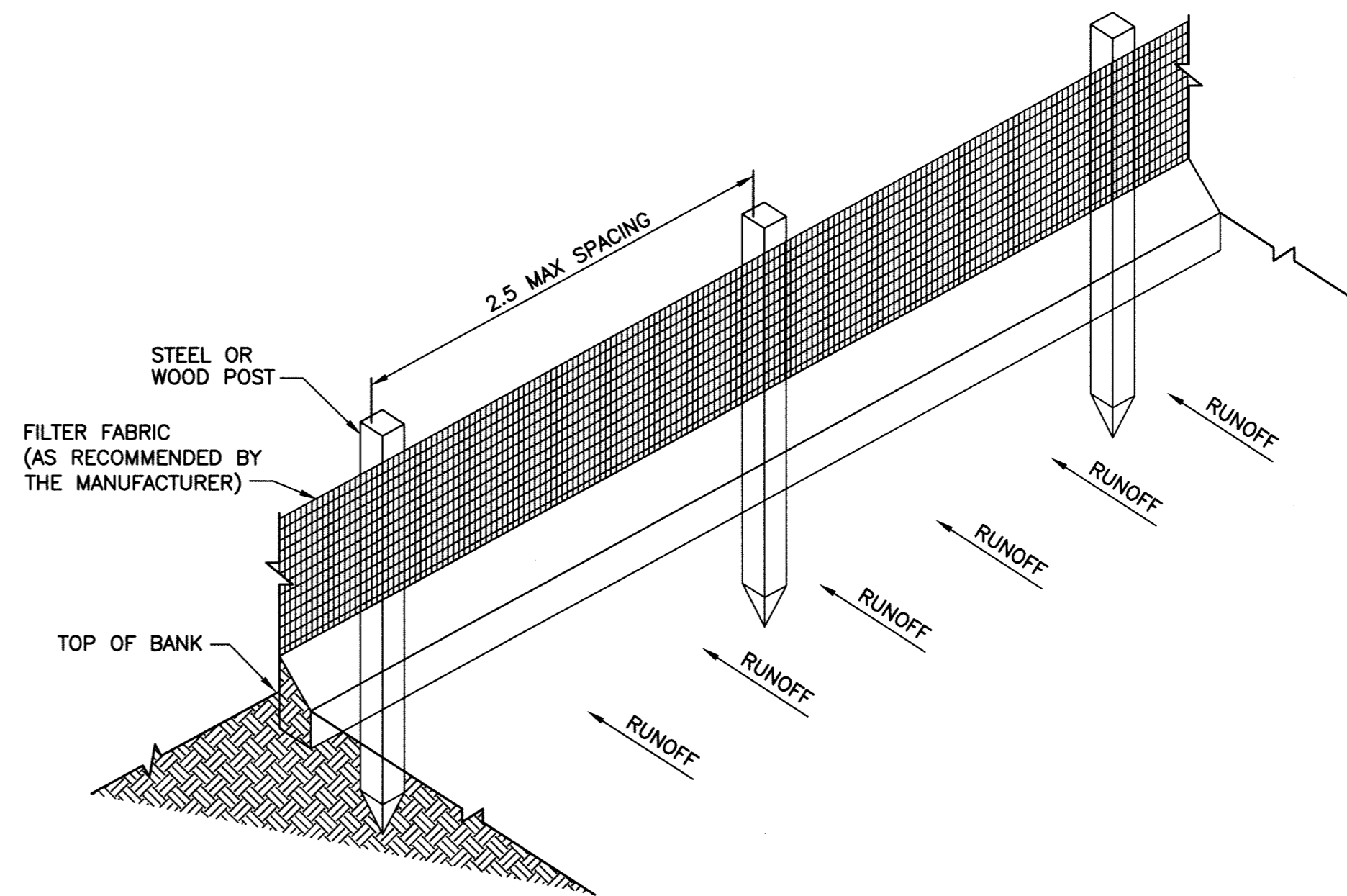
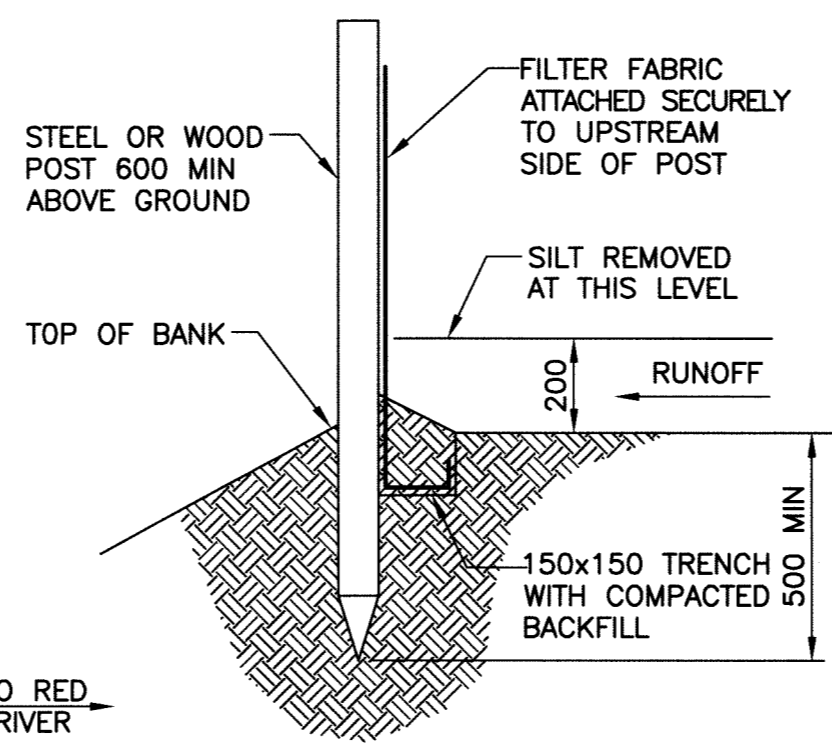
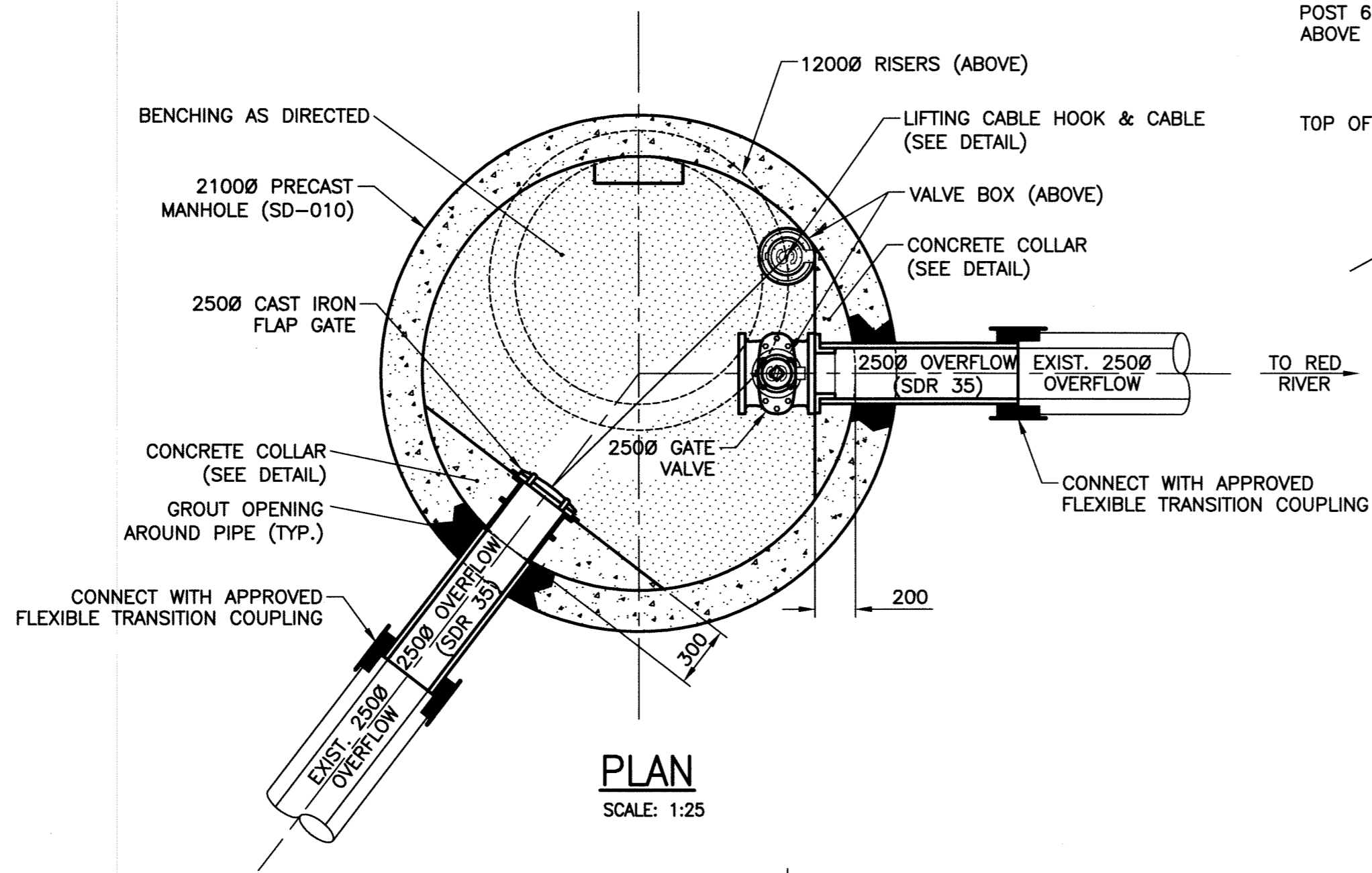


**NOTES:**

1. CHAMBER LOCATION AND SEWER DETAILS ARE SHOWN ON DWG LD-5672.
2. ALL NUTS, BOLTS, AND ANCHORS TO BE TYPE 316 STAINLESS STEEL.
3. INSTALL PRECAST CONCRETE GATE CHAMBER IN ACCORDANCE WITH CW 2130.
4. CONFIRM EXISTING LDS LOCATION, DIAMETER AND INVERT PRIOR TO CONSTRUCTING CHAMBER.

FLOOD PROTECTION WATER LEVEL (JAPSD 25.8ft.) = 232.12m  
 DESIGN HEAD ON 3000 FLAP GATE = 4.055m  
 DESIGN HEAD ON 3000 GATE VALVE = 4.085m



**ISSUED FOR TENDER**  
NOT TO BE USED FOR CONSTRUCTION

**METRIC**  
WHOLE NUMBERS INDICATE MILLIMETRES  
DECIMALIZED NUMBERS INDICATE METRES

**APEGM**  
Certificate of Authorization  
KGS Group  
No. 245

**LOCATION APPROVED UNDERGROUND STRUCTURES**  
 SUPV. U/G STRUCTURES COMMITTEE DATE  
 NOTE:  
 LOCATION OF UNDERGROUND STRUCTURES AS SHOWN ARE BASED ON THE BEST INFORMATION AVAILABLE BUT NO GUARANTEE IS GIVEN THAT ALL EXISTING UTILITIES ARE SHOWN OR THAT THE GIVEN LOCATIONS ARE EXACT. CONFIRMATION OF EXISTENCE AND EXACT LOCATION OF ALL SERVICES MUST BE OBTAINED FROM THE INDIVIDUAL UTILITIES BEFORE PROCEEDING WITH CONSTRUCTION.

B.M. KGS BASE ELEV. --	DWGS BASED ON C.S.R.S. NAD 83 SYSTEM, UTM GRID
DESIGNED BY SH	CHECKED BY <i>MAZ</i>
DRAWN BY GEL	APPROVED BY
HOR. SCALE: 1:250	RELEASED FOR CONSTRUCTION:
VERTICAL: 1:50	DATE
0 ISSUED FOR TENDER 11/08/02	DATE 11/07/13
NO. REVISIONS	DATE BY

**KGS GROUP**  
CONSULTING ENGINEERS

ENGINEERS SEAL  
  
 CONSULTANT DRAWING NO. 10-0107-17\_C08

**THE CITY OF WINNIPEG**  
WATER AND WASTE DEPARTMENT

PROJECT TITLE  
**2011 OUTFALL GATE CHAMBER UPGRADES CONTRACT No. 24**  
 PEMBINA HIGHWAY AT RUE DES TRAPPISTES OUTFALL GATE CHAMBER DETAILS

SHEET OF 08  
 COMPUTER FILE NAME 10-0107-17\_CALL  
 CITY DRAWING NUMBER LD-5673

P:\Projects\2010\10-0107-17\DWG\Mun\10-0107-17\_CALL.dwg - Tab: C08 Plotted By: Gloewen 08/02/2011 [Tue 1:28pm]