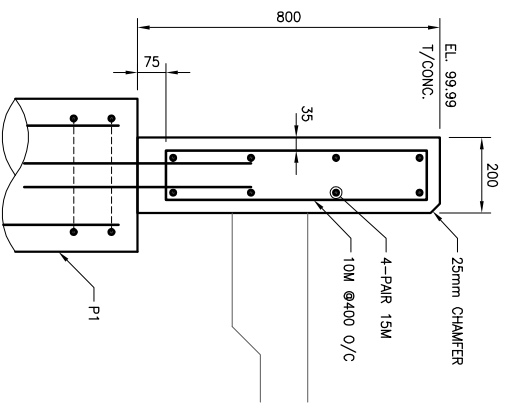
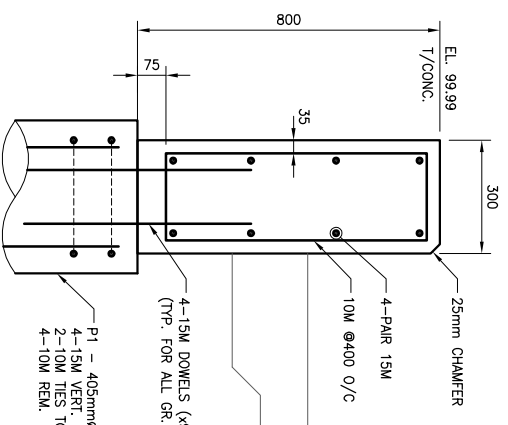


FOUNDATION PLAN
 SCALE: 1:25 (24x36)
 1:50 (11x17)

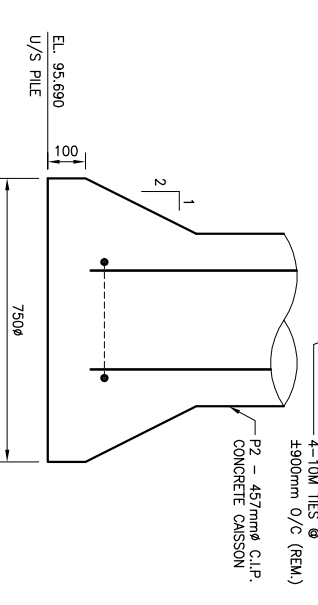
SECTION 1
 SCALE: 1:20 (24x36)
 1:20 (11x17)



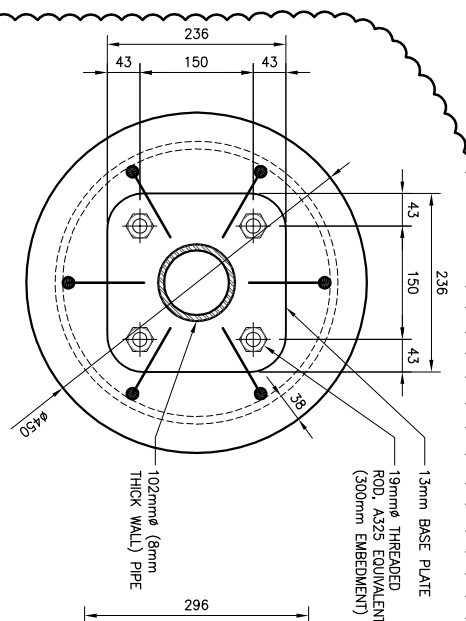
SECTION 2
 SCALE: 1:10 (24x36)
 1:20 (11x17)



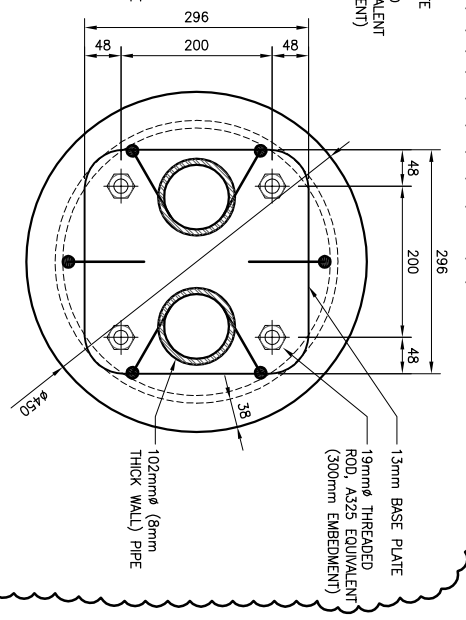
SECTION 3
 SCALE: 1:10 (24x36)
 1:20 (11x17)



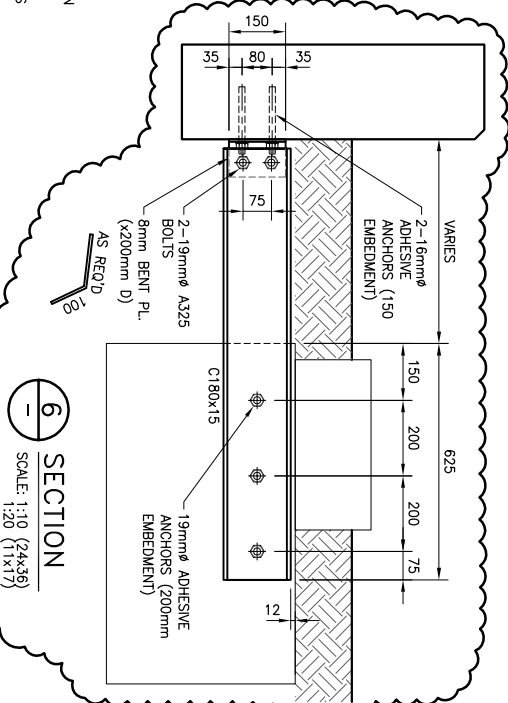
SECTION 4
 SCALE: 1:5 (24x36)
 1:10 (11x17)



SECTION 5
 SCALE: 1:5 (24x36)
 1:10 (11x17)



SECTION 6
 SCALE: 1:20 (24x36)
 1:20 (11x17)



GENERAL NOTES:

- SCOPE OF WORK AS SHOWN ON THIS DRAWING SHALL INCLUDE:
- SUPPLY AND INSTALLATION OF ANCHOR RODS AS SPECIFIED.
- SUPPLY AND INSTALLATION OF STEEL CHANNELS AS SPECIFIED.

STRUCTURAL AND MISCELLANEOUS STEEL:

- STRUCTURAL AND MISCELLANEOUS STEEL FABRICATION AND ERECTION SHALL BE IN ACCORDANCE WITH CAN/CSA S16 (LATEST).
- STRUCTURAL STEEL SHALL MEET THE REQUIREMENTS OF CAN/CSA G40.20/G40.21 (LATEST).
- STRUCTURAL AND MISCELLANEOUS STEEL SHALL BE FINISHED AS INDICATED BELOW, UNLESS OTHERWISE NOTED, OR APPROVED EQUAL:
 - HOT DIPPED GALVANIZED TO CAN/CSA G164 (LATEST)
 - GALVANIZED STEEL
 - SURFACE PREP TO SP8 (PICKLING)
 - HOT DIPPED GALVANIZED TO CAN/CSA G164 (LATEST)

NOTES:

- FOUNDATIONS SHALL BE CAST-IN-PLACE CONCRETE BELL PILES AS SHOWN ON DRAWINGS.
- CONCRETE PILES HAVE BEEN DESIGNED FOR AN AVERAGE ALLOWABLE BEARING OF 120 KPa.
- THE PILING CONTRACTOR SHALL BE RESPONSIBLE TO VERIFY THE EXISTENCE AND LOCATION OF ALL UNDERGROUND SERVICES IN PILING AREA WHETHER SHOWN OR NOT. EXPOSE ALL SERVICES CLOSE TO CAISSONS AS REQUIRED.
- PILES SHALL NOT BE MORE THAN 50mm OUT OF POSITION LATERALLY AT THE TOP AND NOT MORE THAN 2% OUT OF PLUMB.
- REINFORCE ALL PILES AS DETAILED ON THE DRAWINGS. REFER TO CONCRETE NOTES FOR CONCRETE REQUIREMENTS. INSTALL EACH PILE AS A CONTINUOUS POUR.
- VIBRATE CONCRETE IN ALL PILES.
- REINFORCING STEEL:
 - REINFORCING STEEL TO BE NEW DEFORMED BILLET STEEL BARS CONFORMING TO CAN/CSA G30.18-M92, GRADES TO BE 400 MPa FOR 15M BARS AND LARGER, 300 MPa FOR 10M BARS.
 - SUBMIT SHOP DRAWINGS WHICH CLEARLY INDICATE BAR SIZES, SPACING, LOCATIONS & QUANTITIES FOR REINFORCING STEEL. PROVIDE SUFFICIENT REINFORCING SPACING DEVICES AND ETC FOR REVIEW PRIOR TO FABRICATION. DETAIL FABRICATE AND PLACE REINFORCING IN ACCORDANCE WITH CAN/CSA S16 (LATEST).
 - REINFORCING SHALL BE IN ACCORDANCE WITH CAN/CSA S16 (LATEST).
 - REINFORCING SHALL BE IN ACCORDANCE WITH CAN/CSA S16 (LATEST).
 - REINFORCING SHALL BE IN ACCORDANCE WITH CAN/CSA S16 (LATEST).
 - REINFORCING SHALL BE IN ACCORDANCE WITH CAN/CSA S16 (LATEST).
- CONCRETE MIX DESIGN SHALL BE PROPORTIONED AS FOLLOWS:
 - CEMENT: 32 MPa
 - W/C RATIO: 0.45
 - AGGREGATE SIZE (MAX): 20mm
 - ENTRAINED AIR: 4% - 6%
 - SLUMP (MAX): 90mm (±10mm)
- CONCRETE MIX DESIGN SHALL BE PROPORTIONED AS FOLLOWS:
 - CEMENT: 28 DAY COMP. STRENGTH
 - W/C RATIO: 0.45
 - AGGREGATE SIZE (MAX): 4% - 6%
 - ENTRAINED AIR: 4% - 6%
 - SLUMP (MAX): 90mm (±10mm)



NO.	DATE	BY	DESCRIPTION
7	11/07/15	JMW	RE-ISSUED FOR CONSTRUCTION
6	11/06/22	JMW	RE-ISSUED FOR CONSTRUCTION
5	10/08/30	JMW	RE-ISSUED FOR CONSTRUCTION
4	10/08/27	JMW	RE-ISSUED FOR CONSTRUCTION
3	10/08/27	JMW	RE-ISSUED FOR CONSTRUCTION
2	10/06/21	JMW	RE-ISSUED FOR CONSTRUCTION
1	10/06/15	JMW	NOT FOR CONSTRUCTION
0	10/04/30	JMW	FOR TENDER PURPOSES ONLY

KGS GROUP CONSULTING ENGINEERS
 Certificate of Authorization
 R.J. LONG
 Professional Engineer
 No. 245 Date: 10/04/12

Winnipeg
 CITY OF WINNIPEG
 PLANNING, PROPERTY and DEVELOPMENT
 CIVIC ACCOMMODATIONS DIVISION

REVISIONS / ISSUE

DESIGNER: RLL	DATE (Y/M/D): 10/04/12
DESIGN CHECK: JMW	DATE: 10/04/30
DRAWN BY: MBB	DATE: 10/04/12
DATE CHECK: RLL	DATE: 10/04/30

PROJECT: SITE WORKS AT DEER LODGE COMMUNITY CENTRE
 DRAWING: STRUCTURAL PLANTER, BENCH AND SIGN FOUNDATIONS

DWG. NO. 10-0109-03 S01
 REV. 7