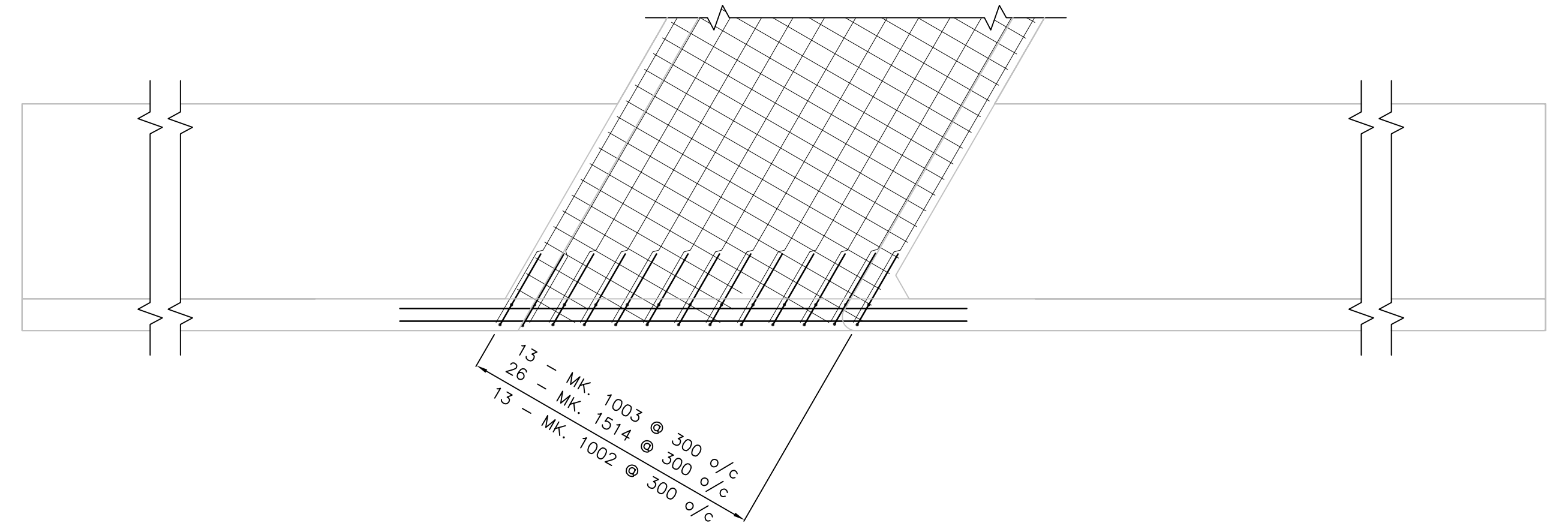
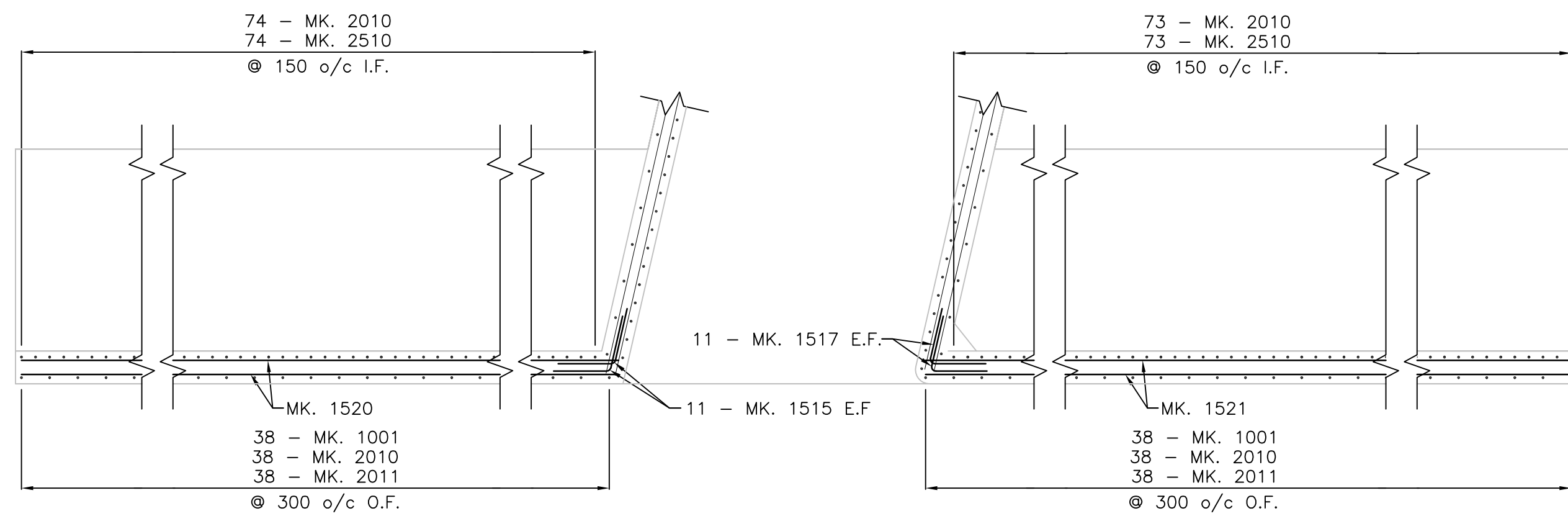


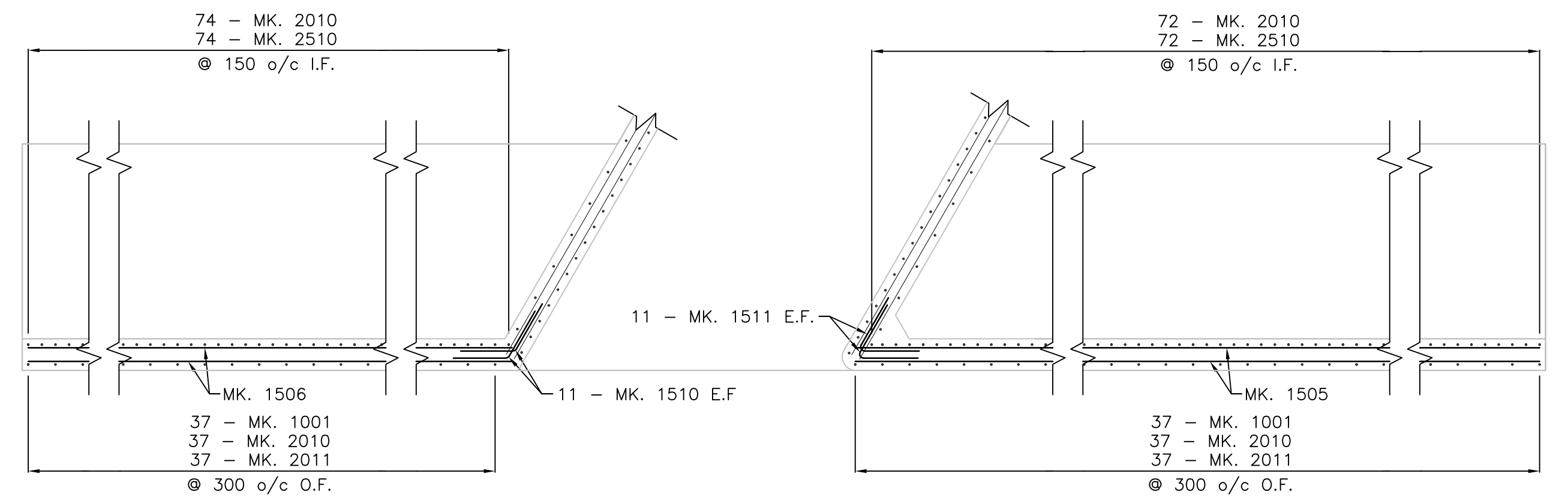
1 PLAN OF INLET HEADWALL OPENING
51 54



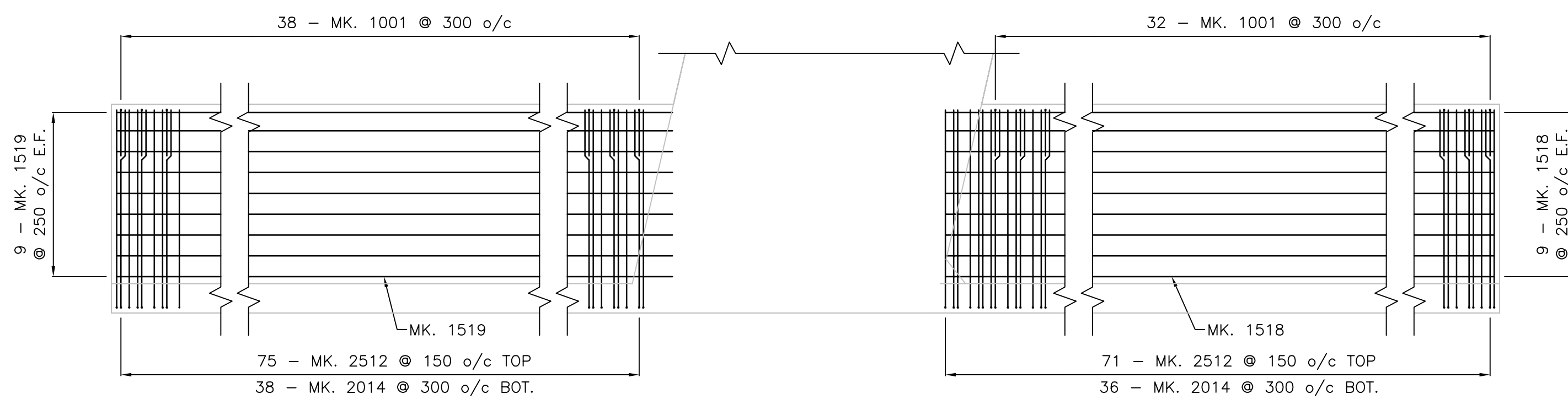
2 PLAN OF OUTLET HEADWALL OPENING
51 54



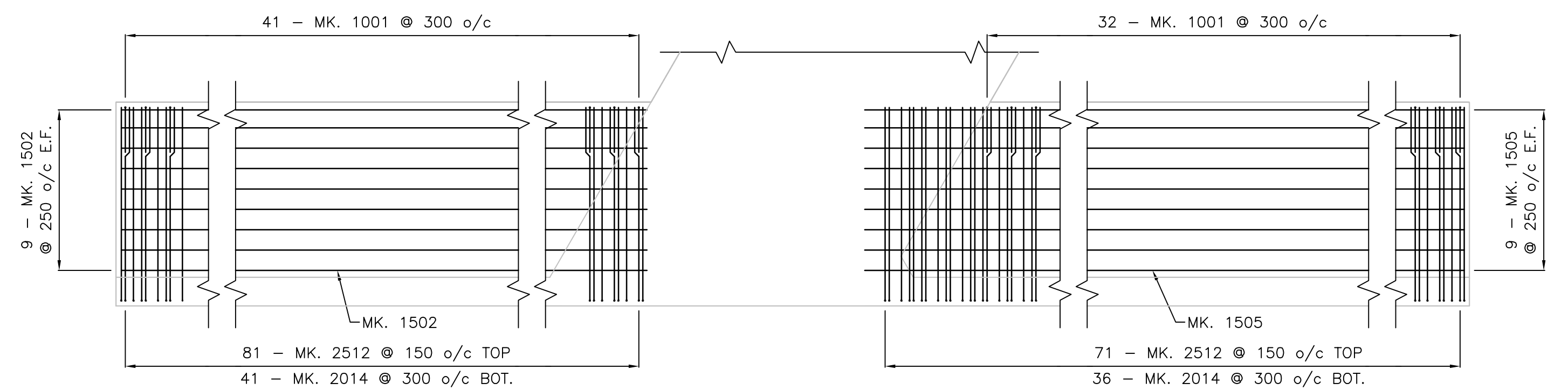
1 PLAN OF INLET HEADWALL
51 54



2 PLAN OF OUTLET HEADWALL
51 54



1 PLAN OF INLET HEADWALL SLAB
51 54



2 PLAN OF OUTLET HEADWALL SLAB
51 54

W:\1137\Drawings\113704640\Drawings\02_Design\Sheet\Files\Culvert_Expanded\04640s-204-727.dwg
 Date: 2011 Jul 15 10:46am Login: G.M.



LOCATION APPROVED UNDERGROUND STRUCTURES

SUPV. U/G STRUCTURES COMMITTEE DATE

NOTE:
 LOCATION OF UNDERGROUND STRUCTURES AS SHOWN ARE BASED ON THE BEST INFORMATION AVAILABLE BUT NO GUARANTEE IS GIVEN THAT ALL EXISTING UTILITIES ARE SHOWN OR THAT THE GIVEN LOCATIONS ARE EXACT. CONFIRMATION OF EXISTENCE AND EXACT LOCATION OF ALL SERVICES MUST BE OBTAINED FROM THE INDIVIDUAL UTILITIES BEFORE PROCEEDING WITH CONSTRUCTION.

NO.	REVISIONS	DATE	BY
0	ISSUED FOR TENDER	11.07.15	K.S.A.

Stantec Consulting Ltd. 905 Waverley Street, Winnipeg, Manitoba Tel 204-489-5900 Fax 204-453-9012		B.M. ELEV.
DESIGNED BY: K.S.A.	CHECKED BY: V.M.M. / K.S.A.	ENGINEER'S SEAL
DRAWN BY: J.M.B.	APPROVED BY: K.S.A.	
HOR. SCALE: 1:50	RELEASED FOR CONSTRUCTION:	CONSULTANT DRAWING NO. S-204
VERTICAL:	DATE: 09.12.11	

THE CITY OF WINNIPEG PUBLIC WORKS DEPARTMENT ENGINEERING DIVISION		SHEET 54 OF 65 CAD FILE DRAWING NUMBER 04640S-204-727.dwg CITY DRAWING NUMBER C375-II-16
WWARP PART I KENASTON BOULEVARD EXTENSION - N.B LANES NORTH TOWN ROAD TO BISHOP GRANDIN BOULEVARD CONCRETE CULVERT EXTENSION REINFORCING DETAILS - SHEET 4 OF 6		