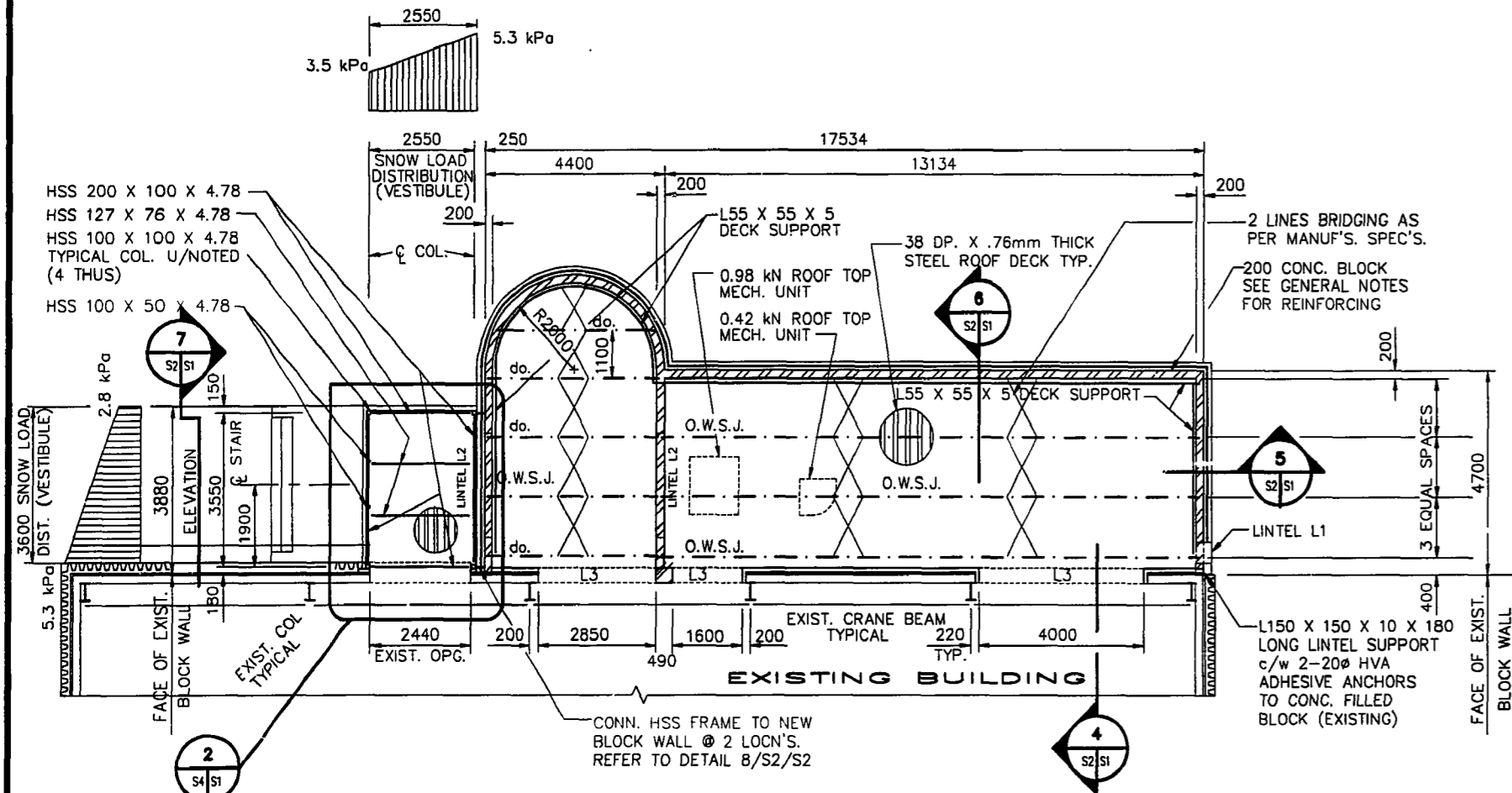


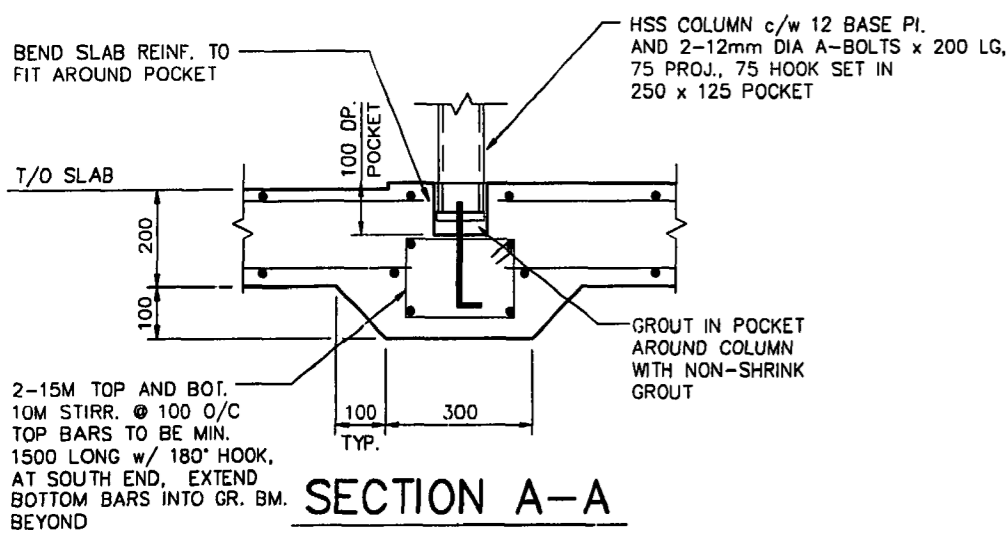
FOUNDATION PLAN

SCALE: 1:100



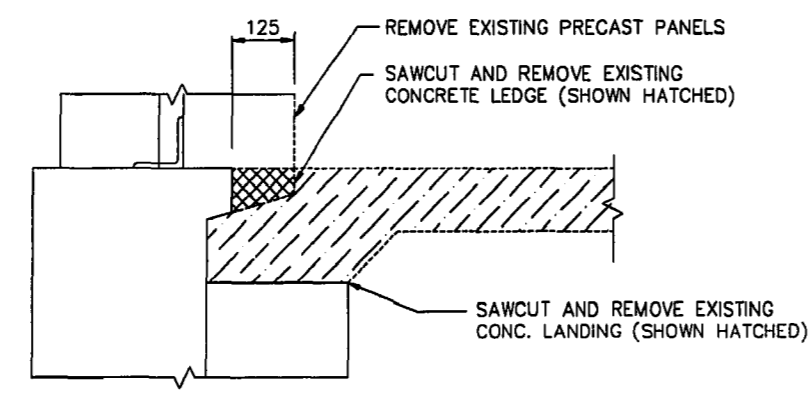
ROOF FRAMING PLAN

SCALE: 1:100



SECTION A-A

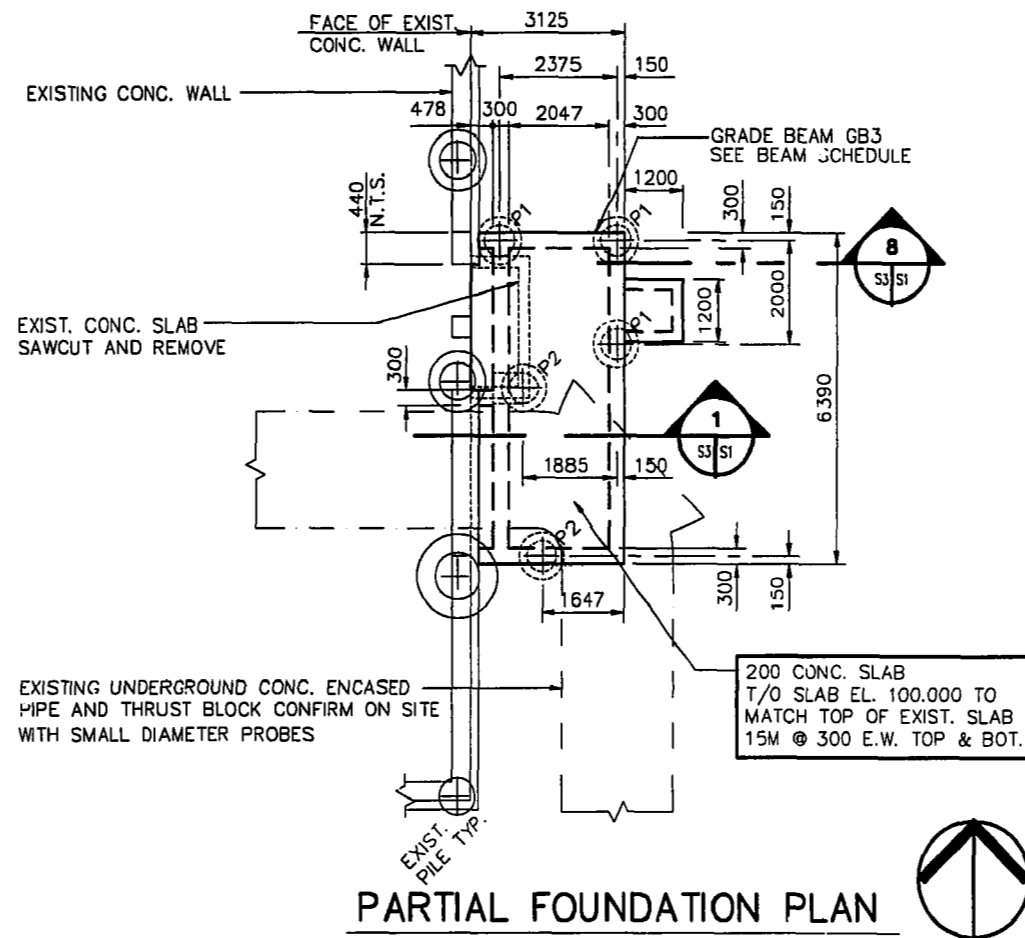
SCALE: 1:10



SECTION B-B

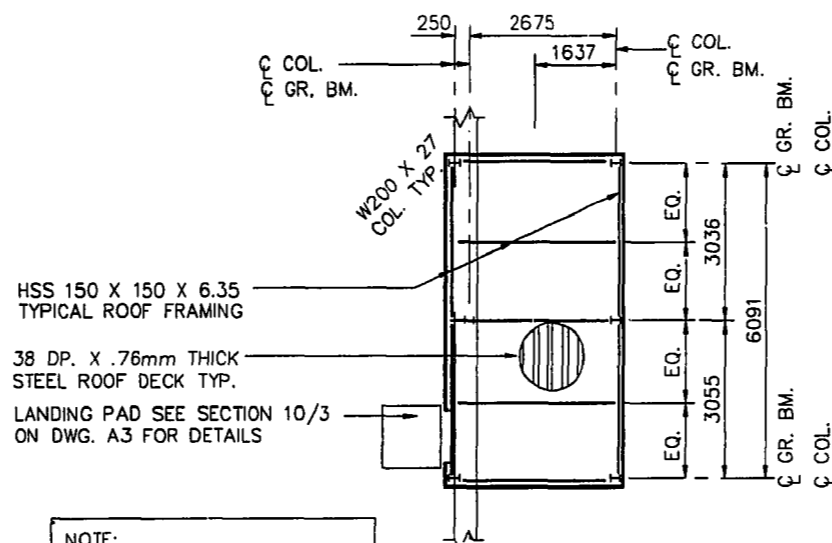
SCALE: 1:10

- detail symbol
- A detail number
 - B drawing where detail shown
 - C cross reference to drawing where detail taken



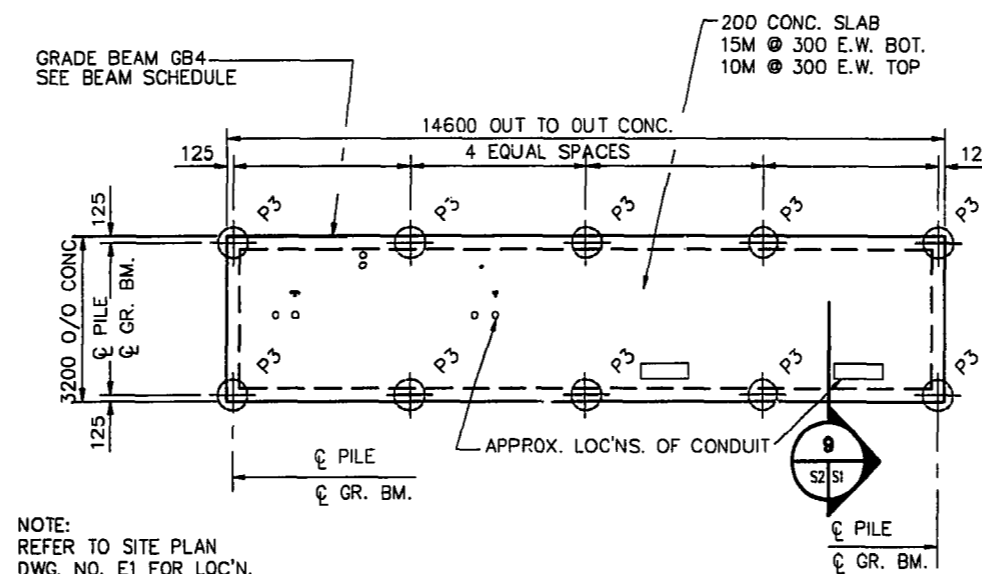
PARTIAL FOUNDATION PLAN

SCALE: 1:100



PARTIAL ROOF FRAMING PLAN

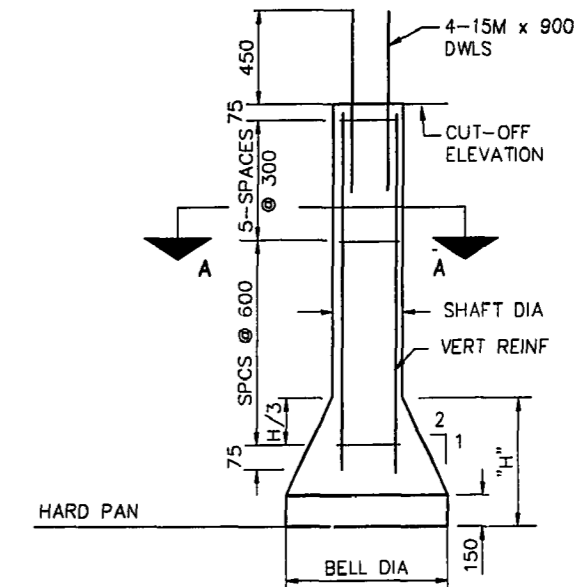
SCALE: 1:100



TRANSFORMER PAD PLAN

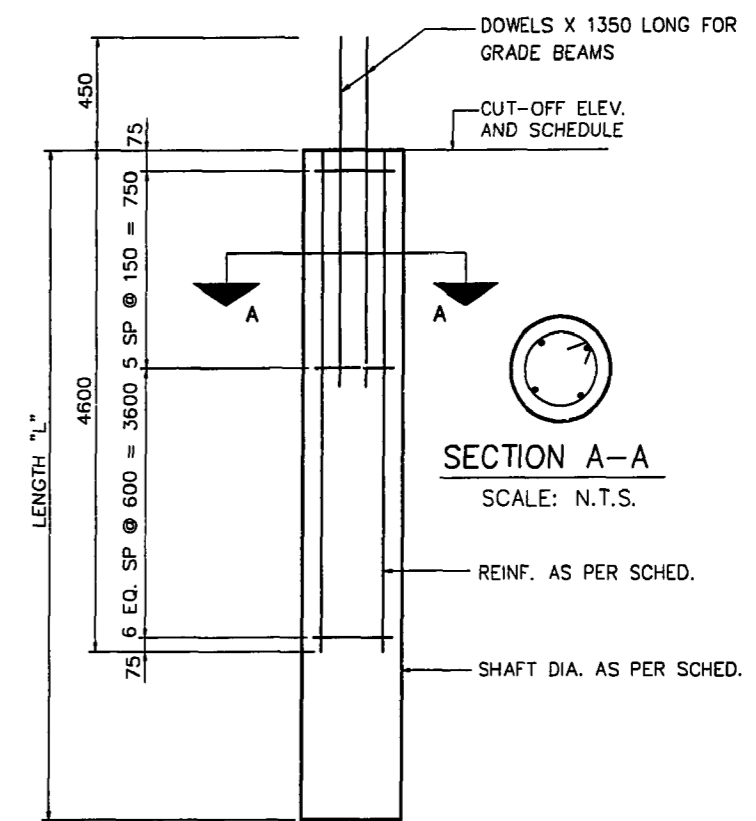
SCALE: 1:100

PILE SCHEDULE								
WK. No.	SHAFT DIA.	BELL DIA.	PILE LGTH.	PILE CUT-OFF	REINFORCING			REMARKS
					VERT.	TIES	DWLS.	
P1	400	914	TO HARD PAN	99.200	4-15M	10M	4-15M	
P2	500	1220	TO HARD PAN	99.200	4-20M	10M	6-25M	
P3	400	---	10000	*	4-15M	10M	4-15M	*PILE LENGTH MEASURED 450 BELOW EXIST. GROUND



TYPICAL BELLED PILE DETAIL

SCALE: N.T.S.



TYPICAL FRICTION PILE DETAIL

SCALE: N.T.S.

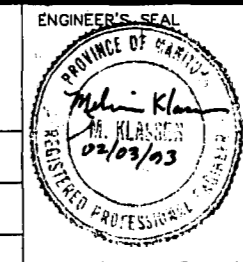
GRADE BEAM SCHEDULE

GRADE BEAM GB1 250 X 800 (INCL. FLOOR SLAB) 3-20M TOP AND BOTTOM 1-10M MIDHEIGHT E.F. 10M STIRR. @ 300 O/C.	GRADE BEAM GB2 250 X 800 (INCL. FLOOR SLAB) 2-25M TOP AND BOTTOM 2-10M EACH FACE 10M STIRR. @ 250 O/C.
GRADE BEAM GB3 300 X 800 (INCL. FLOOR SLAB) 3-25M TOP, 3-20M BOT. 1-10M EACH FACE MIDHT. 10M STIRR. @ 300 O/C.	GRADE BEAM GB4 250 X 600 (INCL. SLAB) 2-25M TOP AND BOT. 10M STIRR. @ 300 O/C.

REID, CROWTHER & PARTNERS LIMITED
WINNIPEG
AS CONSTRUCTED
SIG. *Melan Klam* DATE: *Nov 23/97*

Reid Crowther

DESIGNED BY: MK
CHECKED BY:
DRAWN BY: NHK
APPROVED BY:
HOR. SCALE: AS NOTED
RELEASED FOR BID:
DATE: JAN. 14, 1993



CONSULTANT DRAWING NO. 61370 - C4 - S1

THE CITY OF WINNIPEG
WORKS AND OPERATIONS DIVISION
WATERWORKS WASTE AND DISPOSAL DEPT.

REGIONAL WATER SUPPLY SYSTEM
INSTRUMENTATION, CONTROL AND DATA ACQUISITION
CONTRACT No. 4-EXPANSION TO:
W.D. HURST PUMPING STATION

FOUNDATION PLANS
MAIN FLOOR AND ROOF FRAMING PLANS

CITY DRAWING NUMBER
SHEET OF
HURST30
FILE # 10534