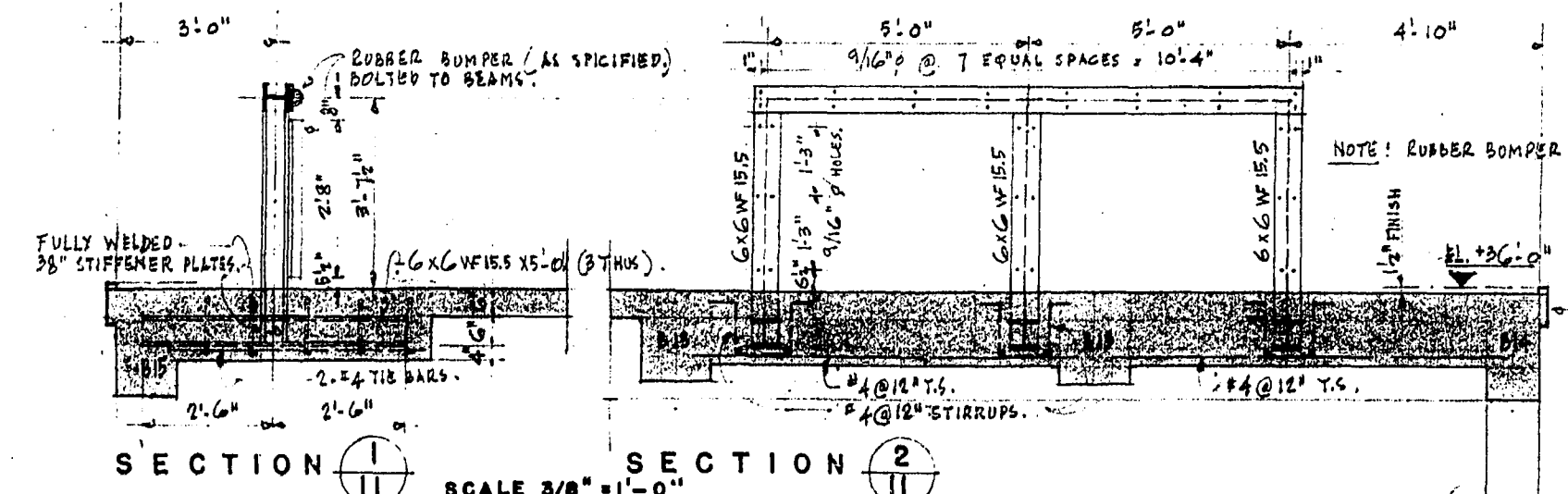
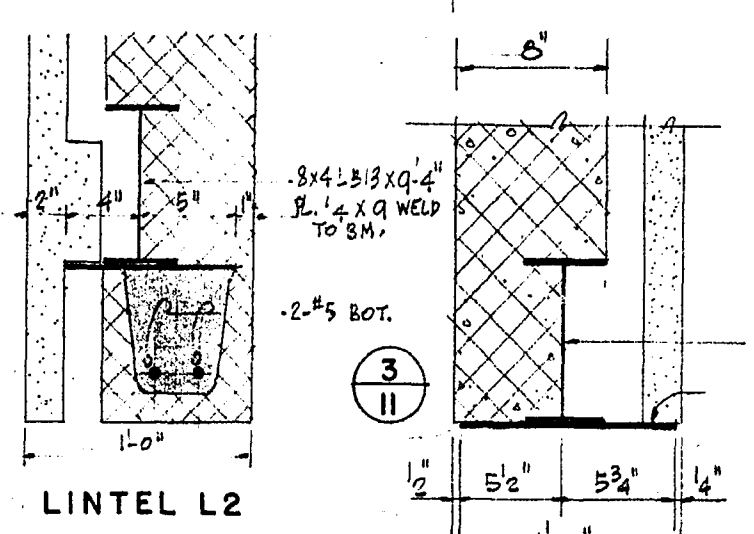


ROOF FRAMING PLAN

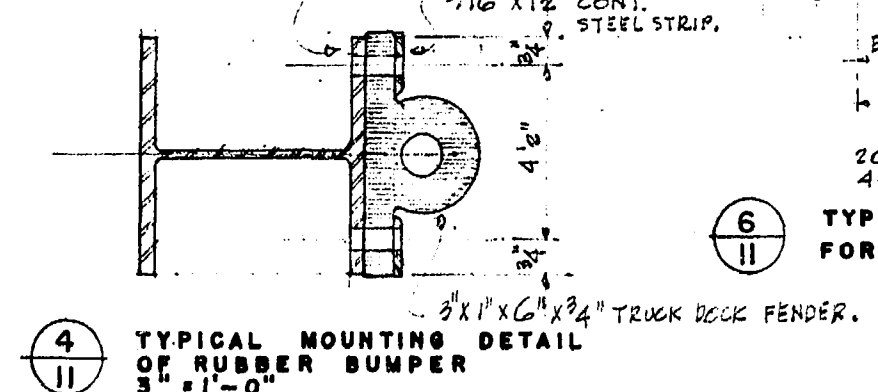
- NOTES.
1. COLUMN B.R. ELEVATIONS:  
COLUMNS C9, C10, C21 & C22 EL. TOP OF B.R. +36'-0"  
ALL OTHER COLUMNS EL. TOP OF B.R. +38'-0"
  2. EL. TOP OF ALL STEEL BEAMS TO BE +53'-0" UNLESS NOTE THIS LOW ON PLAN.
  3. FRAME OPENINGS IN ROOF WITH 3"x3"x5/16" T (3 SIDES AS SHOWN).



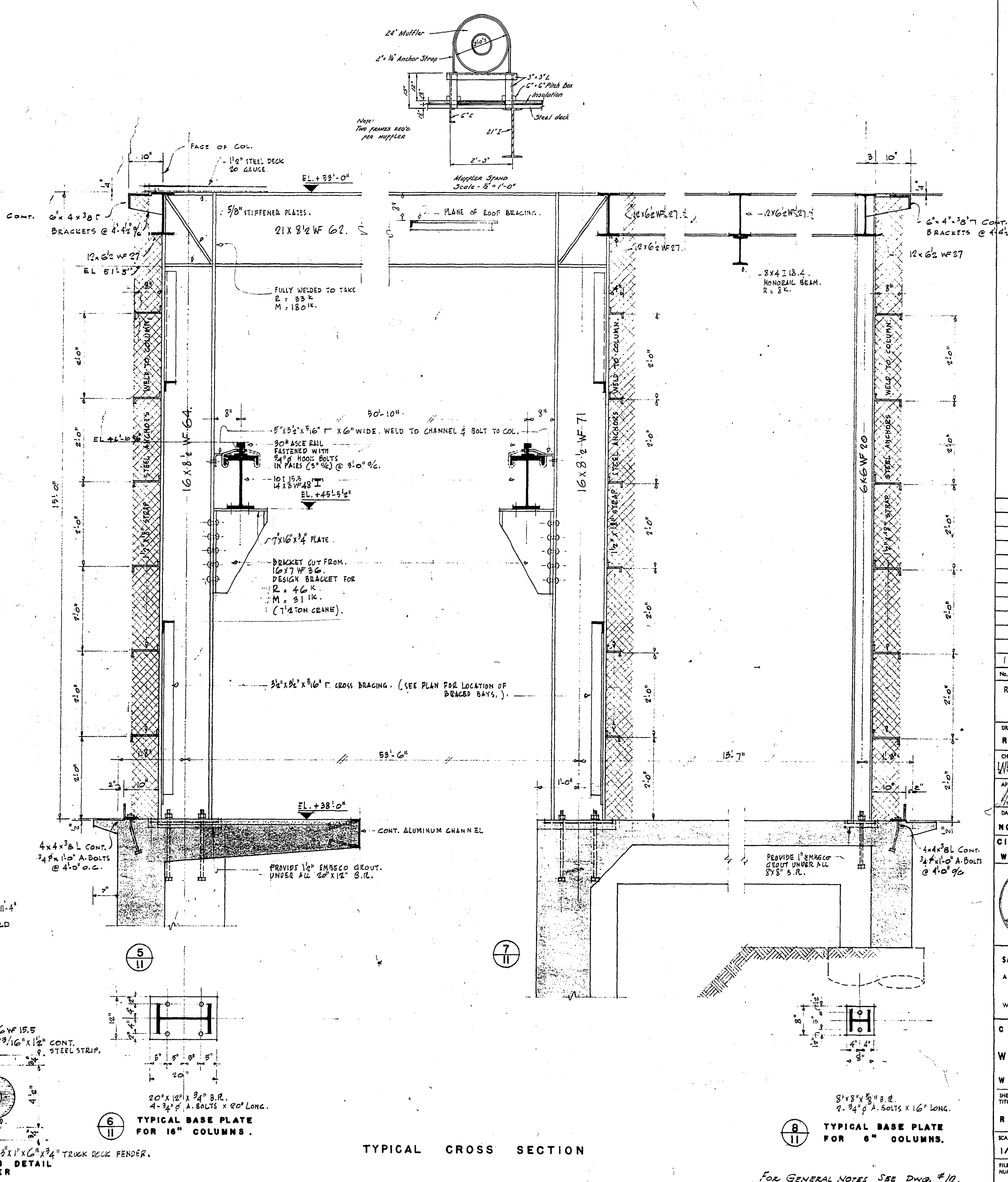
SECTION 1 SCALE 3/8" = 1'-0" SECTION 2



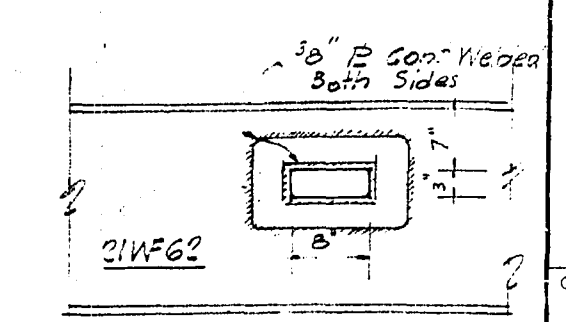
LINTEL L2 LINTEL L1



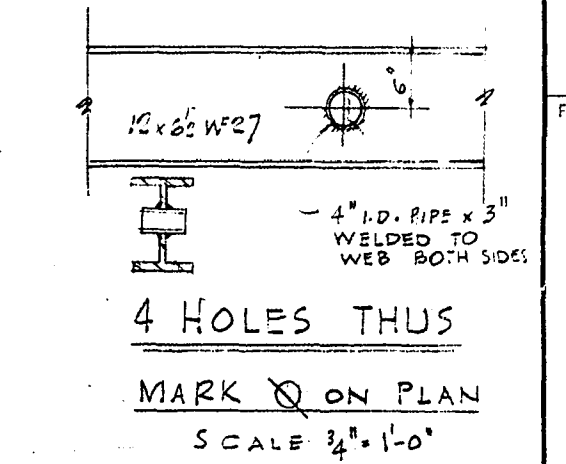
4 TYPICAL MOUNTING DETAIL OF RUBBER BUMPER 3/8" = 1'-0"



TYPICAL CROSS SECTION



4 HOLES THUS MARK ON PLAN SCALE 3/4" = 1'-0"



4 HOLES THUS MARK ON PLAN SCALE 3/4" = 1'-0"

NO.	REF.	DESCRIPTION	DATE	CHKD.
1	ADD	WALLS, ADD	10/11/59	

REVISIONS (READ UP)

DRAWN BY: R. P. W.  
 CHECKED BY: [Signature]  
 APPROVED BY: [Signature]  
 DATE: NOV. 10, 1959  
 CITY FILE NO. WH5622-11

PROVINCE OF MANITOBA  
 W. H. AWLEY  
 REGISTERED ENGINEER

PROVINCE OF MANITOBA  
 SMITH, CARTER, SEARLE  
 REGISTERED ARCHITECTS

SMITH, CARTER, SEARLE ASSOCIATES  
 ARCHITECTS AND ENGINEERS  
 WINNIPEG AND BRANDON  
 CITY OF WINNIPEG  
 WILKES AVE. PUMPING STATION  
 WINNIPEG, MANITOBA

ROOF FRAMING PLAN  
 SCALES: 1/8" = 3'-0"; 3/4" = 1'-0"  
 SHEET NUMBER: 59.151

FOR GENERAL NOTES SEE DWG. #12.