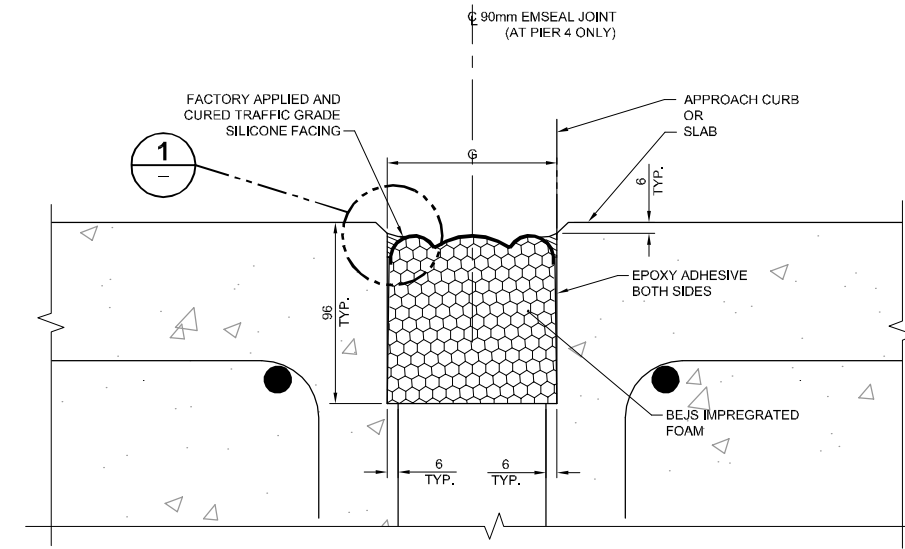


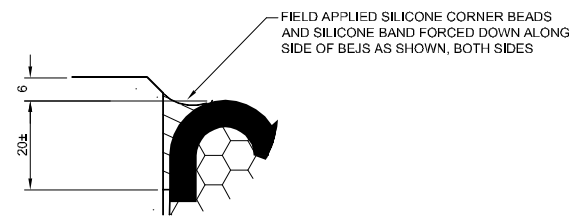
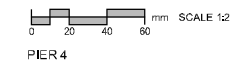
INSTALLATION TEMPERATURE °C	-25	-20	-15	-10	-5	0	5	10	15	20	25
INSTALLATION GAP WIDTH (G)	68	65	63	60	58	55	52	50	47	45	42

TYPICAL EXPANSION SEAL (50 mm)



INSTALLATION TEMPERATURE °C	-25	-20	-15	-10	-5	0	5	10	15	20	25
INSTALLATION GAP WIDTH (G)	118	112	107	101	96	90	84	79	73	68	62

PIER FOUR EXPANSION SEAL (90 mm)



DETAIL 1
NTS



LOCATION APPROVED UNDERGROUND STRUCTURES

SUPR. UG STRUCTURES DATE COMMITTEE

NOTE: LOCATION OF UNDERGROUND STRUCTURES AS SHOWN ARE BASED ON THE BEST INFORMATION AVAILABLE. BUT NO GUARANTEE IS GIVEN THAT ALL EXISTING UTILITIES ARE SHOWN OR THAT THE GIVEN LOCATIONS ARE EXACT. CONFIRMATION OF EXISTENCE AND EXACT LOCATION OF ALL SERVICES MUST BE OBTAINED FROM THE INDIVIDUAL UTILITIES BEFORE PROCEEDING WITH CONSTRUCTION.

NO.	REVISIONS	YYMMDD	BY
0	ISSUED FOR TENDER	11/07/27	MSK

AECOM		This drawing has been prepared for the use of AECOM's client and may not be used, reproduced or relied upon by third parties, except as agreed by AECOM and its client, as required by law or for use by governmental reviewing agencies. AECOM accepts no responsibility, and denies any liability whatsoever, to any party that modifies this drawing without AECOM's express written consent. Do not scale this document. All measurements must be obtained from stated dimensions.	
DESIGNED BY	MSK	CHECKED BY	KAVEBL
DRAWN BY	KC	APPROVED BY	EBL
HOR. SCALE	AS NOTED	RELEASED FOR CONSTRUCTION	
VERT. SCALE	AS NOTED	DATE	

PROFESSIONAL'S SEAL
ORIGINAL SIGNED BY
ANDREW BROMLEY
2011, 07, 28
CONSULTANT DRAWING NO.
60216082-S-400_RX.dwg

BID OPPORTUNITY NO. 0000

THE CITY OF WINNIPEG
PUBLIC WORKS DEPARTMENT

ELM PARK PEDESTRIAN BRIDGE REHABILITATION

EMSEAL JOINT DETAILS

CITY DRAWING NUMBER B131-11-14
SHEET 10 OF 13
10
REV 0