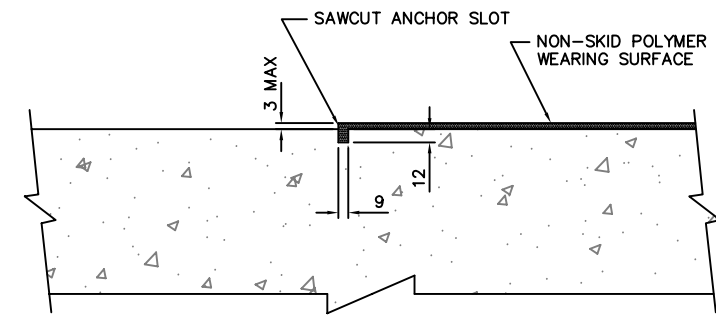


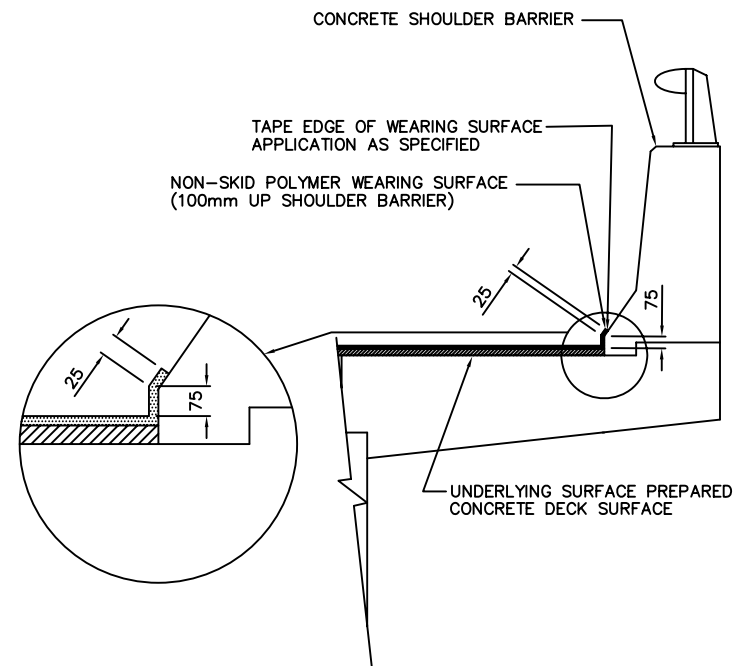
DECK REPAIR DETAILS

N.T.S.



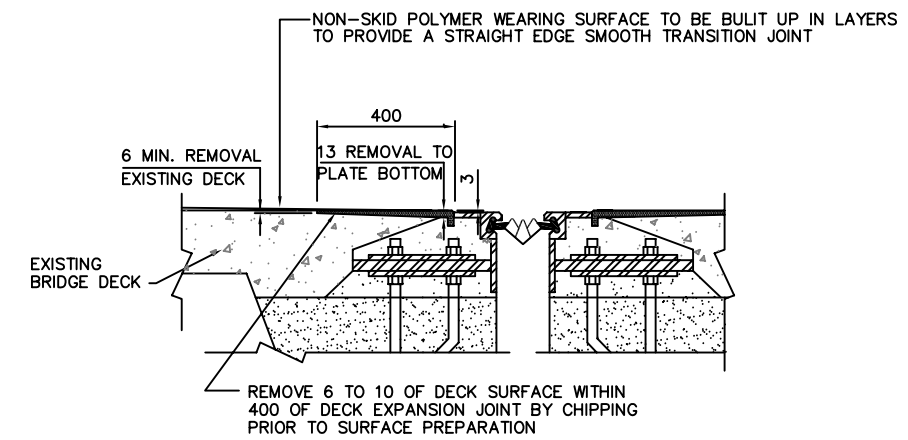
TYPICAL ANCHOR DETAIL

N.T.S.



TRAFFIC BARRIER DETAIL (TYPICAL)

N.T.S.



EXPANSION JOINT DETAIL (TYPICAL)

N.T.S.

METRIC
WHOLE NUMBERS INDICATE MILLIMETRES
DECIMALIZED NUMBERS INDICATE METRES

NOTE:	B.M. ELEV.	DESIGNED BY: B.A.N.		CITY OF WINNIPEG PUBLIC WORKS DEPARTMENT ENGINEERING DIVISION	MISCELLANEOUS DECK SEALING & CONCRETE REPAIRS	SHEET 1 OF 1
		DRAWN BY: M.R.T.			BID OPPORTUNITY NO.: 651-2011	WEARING SURFACE DETAILS (TYPICAL)
		CHECKED BY: B.A.N.				
		APPROVED BY: B.A.N.				
		AUTHORIZED BY:				
		ORIGINAL SIGNED BY B.A. NEIRINCK				
	0 ISSUED FOR TENDER 11/08/02 MRT	B.A. NEIRINCK BRIDGE PLANNING & OPERATIONS ENGINEER				CITY DRAWING NUMBER: BXXX-11-01
	NO. REVISION DATE BY					