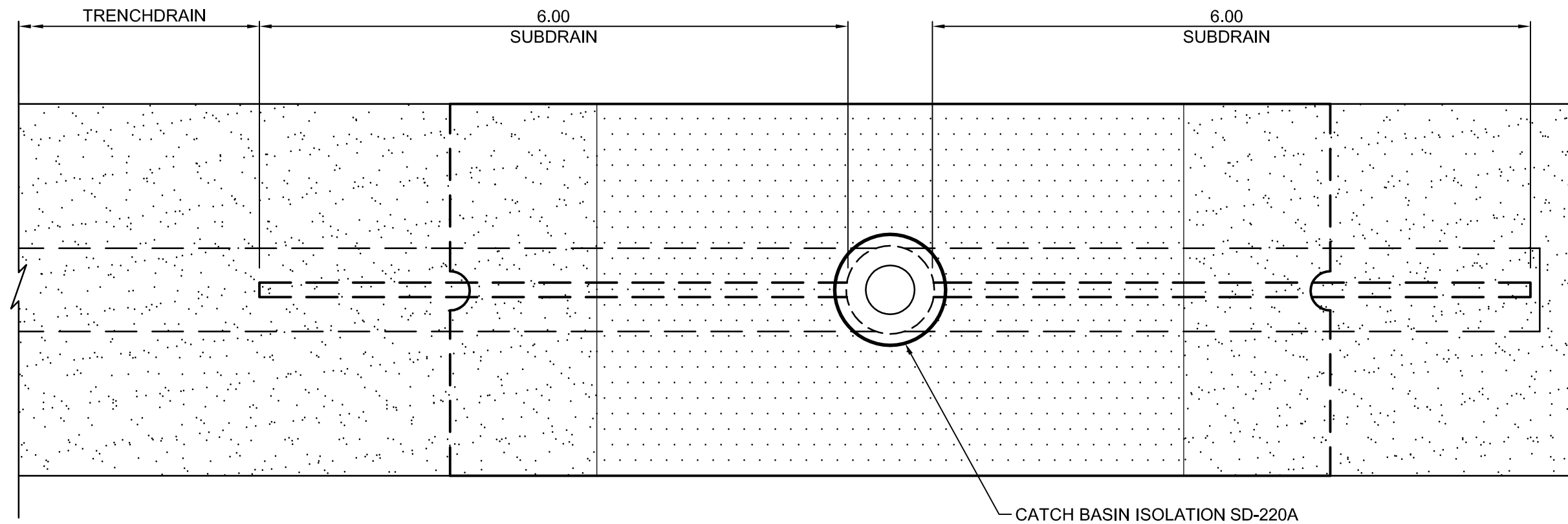
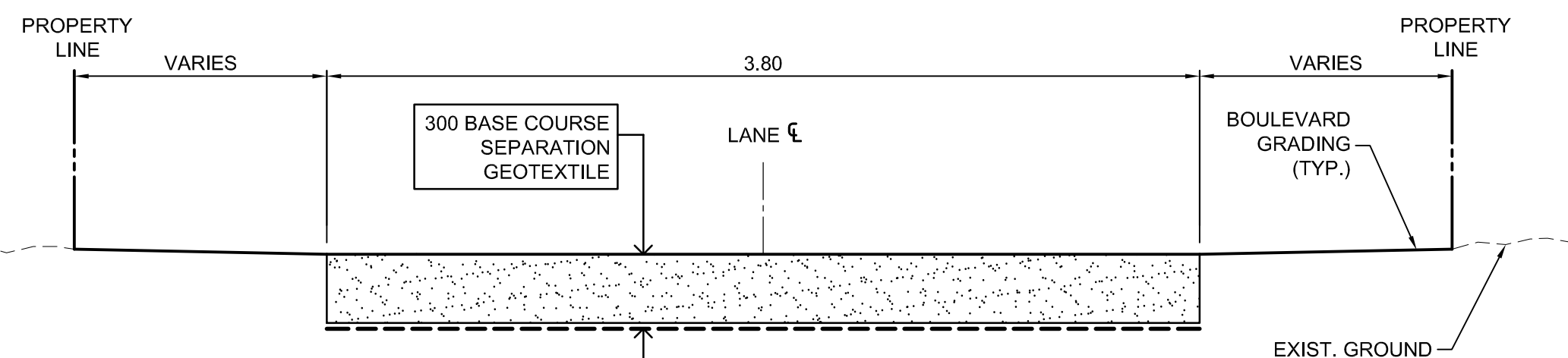


A LIMESTONE SECTION WITH CENTRE TRENCH DRAIN
SCALE 1:25



1 CATCH BASIN APRON WITH SUBDRAIN
SCALE 1:50



B TYPICAL LIMESTONE SECTION
SCALE 1:25

CONSTRUCTION NOTES:

- LANES ARE TO BE GRADED AS DIRECTED BY THE CONTRACT ADMINISTRATOR
- CONFIRM LOCATION OF ALL EXISTING UTILITIES PRIOR TO CONSTRUCTION.
- NOTIFY ALL RESIDENTS AND BUSINESSES 24 HOURS IN ADVANCE OF ANY DISRUPTION OF UTILITY SERVICE.
- ENSURE ALL THE UPPER EDGES OF THE GEOTEXTILE AND ENVIROGRID HAVE A MINIMUM OF 100mm BURIED DEPTH OVER ALL PORTIONS.
- CONTRACTOR TO TAKE PRECAUTIONARY STEPS TO AVOID DAMAGE FROM CONSTRUCTION ACTIVITIES TO TREES
- LOCATION OF EXISTING SERVICES AND UTILITIES TO BE CONFIRMED IN THE FIELD BY THE CONTRACTOR

METRIC

WHOLE NUMBERS INDICATE MILLIMETRES
DECIMALIZED NUMBERS INDICATE METRES

WARNING

IF POWER EQUIPMENT OR EXPLOSIVES ARE TO BE USED FOR EXCAVATION ON THIS PROJECT THE CONTRACTOR MUST:

- NOTIFY THE GAS COMPANY OF THE PROPOSED LOCATION OF EXCAVATION.
- TAKE PRECAUTION TO AVOID DAMAGE TO GAS COMPANY INSTALLATIONS SEE PROVINCIAL REGULATION 210/72 FOR DETAILS.
- OBTAIN EXCAVATION PERMITS PRIOR TO CONSTRUCTION.

G:\CAD\115329\Contract\Current\Grading_&_Grading.dwg

150 WM	WATERMAIN	150 WM	HYDRANT	HYDRANT	HYDRANT	150 mm W.M.	WATERMAIN	150 mm W.M.
	HYDRANT		MTS	MTS	MTS		HYDRANT	
	VALVE						VALVE	
	LAND DRAINAGE SEWER						LAND DRAINAGE SEWER	
	WASTE WATER SEWER						WASTE WATER SEWER	
	MANHOLE						MANHOLE	
	CATCH BASIN						CATCH BASIN	
	CURB INLET						CURB INLET	
	JUNCTIONS						JUNCTIONS	
	CULVERT						CULVERT	
	GAS						GAS	
	EXISTING		EXISTING	LEGEND-PLAN	PROPOSED	EXISTING	LEGEND-PROFILE	PROPOSED

UNDERGROUND STRUCTURES

SUPPLY U/G STRUCTURES COMMITTEE DATE

NOTE:
LOCATION OF UNDERGROUND STRUCTURES AS SHOWN ARE BASED ON THE BEST INFORMATION AVAILABLE. BUT NO GUARANTEE IS GIVEN THAT ALL EXISTING UTILITIES ARE SHOWN OR THAT THE GIVEN LOCATIONS ARE EXACT. CONFIRMATION OF EXISTENCE AND EXACT LOCATION OF ALL SERVICES MUST BE OBTAINED FROM THE INDIVIDUAL UTILITIES BEFORE PROCEEDING WITH CONSTRUCTION.

B.M. ELEV.	DESIGNED BY	DATE
	BPN	
	PMW	
	DBW	
	DPK	
	1:500	
	2011/09/01	
	2011/09/01	
	2011/09/01	

NO.	REVISIONS	DATE	BY
1	ISSUED FOR TENDER	2011/09/01	BPN

DILLON CONSULTING

RELEASED FOR CONSTRUCTION

ENGINEER'S SEAL

PROVINCE OF MANITOBA

DESIGNED BY

W.P. NAIRN

2011/09/01

Member 34277

REGISTERED PROFESSIONAL ENGINEER

CONSULTANT PROJECT NUMBER

11-5329

THE CITY OF WINNIPEG

PUBLIC WORKS DEPARTMENT

2011 GRANULAR LANE IMPROVEMENT PROGRAM

LANE A

CITY DRAWING NUMBER

SHEET 1 OF 14

CONSULTANT DRAWING NUMBER